



Adam Tas Corridor Energy

Fiber Optic Cable Warehouse Layout





Overview

The warehouse setting provides a robust and practical solution for storing fiber cables, supporting efficient logistics and minimizing handling-related risks. Fiber optic cables make this possible by offering unparalleled speed and reliability. CABLExpress has pre-engineered staggers for all common hardware types with the intent of creating a tidy, slack-free installation to minimize accidental pulls and create an aesthetically pleasing result. In large-area warehouses such as the DECATHLON SNTL logistics center, having a reliable structured cabling system is essential for smooth operations. This logistics hub, located in the Mohamadia industrial zone, covers 6000 m² and plays a critical role in supporting a chain of sporting goods.



Fiber Optic Cable Warehouse Layout



Warehouse Cabling Procedure and Best Practices

What types of cables are commonly used in warehouses? Common types of cables used in warehouses include Ethernet cables (Cat5e, Cat6, Cat6a), fiber optic

Top 5 Custom Fiber Optic Cables Manufacturers (2026 Guide)

Who makes the best custom Fiber Optic Cables? We compare the Top 5: Corning vs. FS vs. Wolontek. See which manufacturer offers the best price and customization.



15 BEST PRACTICES FOR DATA CENTER FIBER-OPTIC CABLING

For fiber optic cable, use horizontal finger style with front cover cable managers in a 1U or 2U footprint. Consider wide body cabinets (wider than 24 inches) along with vertical cable managers (4", 6" or 12"

15 BEST PRACTICES FOR DATA CENTER FIBER-OPTIC CABLING

Optimize data center cable installation with this FREE guide from CABLExpress! Learn best



practices for labeling, service loops, and more.
Download now!



Amphenol Connectors , Cable Assemblies

Amphenol Communications Solutions (ACS), a division of Amphenol Corporation, is a world leader in interconnect solutions for Communications,

Assembly Cable Fiber Optic Banner Sensor 36" 17276 BT23S

Banner Sensor Assembly Cable Fiber Optic 36" 17276 BT23S features a bifurcated glass fiber design, stainless steel sheath, and threaded sensing tip, ensuring precision and durability.



Cables, Adapters, Fiber, Network Add-ons & Tools , Computer Cable

Cables, Adapters, Fiber, Network Add-ons & Tools
This 20m Multimode Duplex OM4 Fiber Optic Patch Cable (50/125) - LC to LC has ceramic ferrules and a 50/125 micron core, this cable is suitable for



Morocco Overseas Warehouse Extends Fiber Optic Cable Os2

Today's top Morocco Overseas Warehouse Extends Fiber Optic Cable Os2 jobs in United States. Leverage your professional network, and get hired. New Morocco Overseas Warehouse Extends

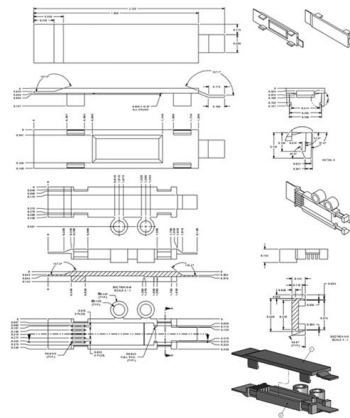


Automotive Optical Fiber Communication and Supply Chain Research

Automotive optical fiber communication presents significant opportunities as vehicles shift to central computing architectures, necessitating high-speed, real-time data interconnection.

OM2, OM3, OM4 vs. OM5 , How to Choose the Right

The difference between multimode fiber optic cables is important when choosing the right cabling for your network. Therefore, we take a detailed look at the four



Boost Warehouse Productivity with Fiber Optic Cabling

Speed up operations and reduce downtime with fiber optic cabling. Learn how this upgrade enhances connectivity, data transfer, and warehouse efficiency.



Fiber Optic Cable

Office spaces, meeting and training rooms, cafeterias areas and enclosed equipment or telecom rooms within the warehouse facilities are likely to require either a plenum rated or low-smoke zero halogen



How to Plan Your Office and Warehouse Network Wiring

Use tools like cable testers to check for continuity, signal strength, and proper termination. By carefully planning your office and warehouse network

Fiber Optic Cable Installation Companies Near You

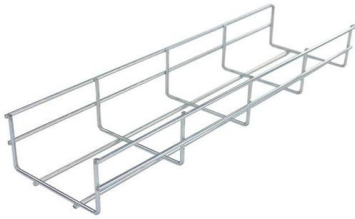
Find fiber optic cable installation companies near you. Explore top providers for reliable, high-speed internet solutions.





The FOA Reference For Fiber Optics

You should record the specifications on every cable and fiber: the manufacturer, the type of cable and fiber, how many fibers, cable construction type, estimated



Plus de 1 000 offres d'emploi Morocco+overseas+warehouse+extends+fiber

1 000 meilleures offres d'emploi Morocco+overseas+warehouse+extends+fiber+optic+cable+os2 du jour ou plus (Luxembourg). Utilisez votre réseau professionnel pour changer de travail !
De nouvelles



Warehouse Cabling Procedure and Best Practices

Best practices for cable management include using cable trays and ladders to organize and support cables, securing cables with ties and straps to prevent

Fiber Cable Warehouse Storage Solutions

Consistent inventory management and regular inspections are key to maintaining cable quality and streamlining operations. The warehouse setting provides a robust and practical solution for storing



Optimizing Fiber Optic Cable Manufacturing: Workshop Layout

Efficiently designing the layout of a fiber optic cable manufacturing workshop is a critical step in ensuring streamlined production, meeting compliance standards, and maximizing profitability.



Optimizing Fiber Optic Cable Manufacturing: Workshop Layout

Designing the ideal layout for a fiber optic cable manufacturing workshop requires precision and strategic planning. From laying out the floor plan and placing equipment to optimizing



Home

Optical Cable Corporation Networks that Mean Business High-performance networks are essential to business, including manufacturing, transportation, education,





Fiber Optic Cables Installation Process for Warehouses

Conclusion Installing fiber optic cables in a warehouse is a transformative step towards enhancing communication and operational efficiency. By following a structured installation process, including



Network Wiring Solution for Large Warehouse

The warehouse layout was thoroughly analyzed to determine the optimal locations for the fiber termination boxes. Armored 12-strand multimode fiber optic cables

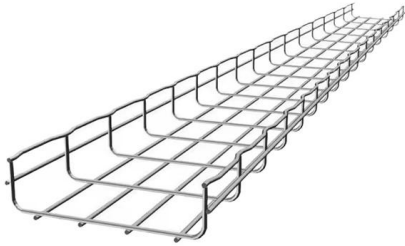


Features of Building Structured Cabling Networks for

One of the biggest challenges is the constantly changing layout due to shifting storage needs, mobile racks, and varying warehouse configurations.

Features of Building Structured Cabling Networks for

To achieve these goals, specific equipment was carefully selected to ensure reliability, efficiency, and adaptability in the warehouse environment. The



Warehouse Cabling: Choosing the Right Solutions in 2025

Warehouse cabling: Ring and Ping provides expert solutions for your warehouse network. Compare Cat6 and fiber optic options for reliable



Warehouse Cabling: Choosing the Right Solutions in 2025

Choosing the right network cabling for warehouses keeps your operation fast, secure, and ready for the future. Continue reading to discover the

Contact Us

For datasheets, pricing, or custom telecom energy solutions, please visit:
<https://koskolong.co.za>