



Adam Tas Corridor Energy

Fiber Optic Cables and Communications Practice





Overview

Practice or test out your Fiber Optics knowledge with these online practice questions. Questions are taken from the FOA Reference Guide to Fiber Optics, by Jim Hayes. The glass strands, known as optical fibers, have a high refractive index that allows light to be transmitted through them with minimal loss. ERS: Attenuation, Absorption, Scattering and Bending losses, Core and Cladding losses. Information capacity determination, Group delay, Types of Dispersion - Material dispersion, Wave- fiber Connectors- Connector types, Single emitting LED-quantum efficiency and LED power-light source. The manual is compatible with most classroom texts and is ideal for creating a lab to go with almost any vocational or secondary-education fiber optics course. To achieve the best results and understand the electronics terminology here, we suggest that you have a.



Fiber Optic Cables and Communications Practice



High-capacity optical communication relayed by multi-core

SDM based on multi-core fiber is a promising approach for capacity scaling in submarine cables. Yingyu Chen, Jinkai Zhou, and colleagues report the field validation of a deployed 7-core fiber

Minimum Bend Radius of Fiber Optic Cables

Fiber optic cables may be made of glass, but they are more flexible than most people think. This article explains the concept of minimum bend radius, compares different fiber standards



Free IMSA Traffic Signal Level III Practice Test 2026 , OpenExamPrep

8 What type of fiber optic cable is most commonly used for traffic signal interconnect communications? Explanation: Single-mode OS2 (9/125 micron) fiber optic cable is the standard for traffic signal

Home -The Fiber Optic Association

The Fiber Optic Association Inc. (FOA) is the international professional association of fiber optics. FOA is chartered to promote fiber optics



through education,



The Complete Step-by-Step Guide to Fiber Optic Splicing

In this guide, we cover the basics of fiber optic splicing, how to perform splicing using two different methods, and finally some best practices to perform good fiber splicing.



Edward Snowden: Leaks that exposed US spy

The GCHQ scandal widened on 21 June when the Guardian reported that the UK spy agency was tapping fibre-optic cables that carry global



Fibre-Optic Communications MCQ [Free PDF]

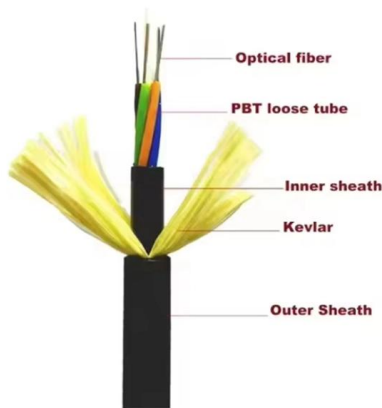
Get Fibre-Optic Communications Multiple Choice Questions (MCQ Quiz) with answers and detailed solutions. Download these Free Fibre-Optic Communications MCQ Quiz Pdf and prepare for





The FOA Reference For Fiber Optics

Optical Fiber Fiber Optics is the communications medium that works by sending optical signals down hair-thin strands of extremely pure glass or plastic fiber. The



NOC:Fiber-Optic Communication Systems and Techniques

Access 117+ practice questions, video lectures, and study materials for NOC:Fiber-Optic Communication Systems and Techniques. Prepare for your NPTEL certification with our comprehensive learning

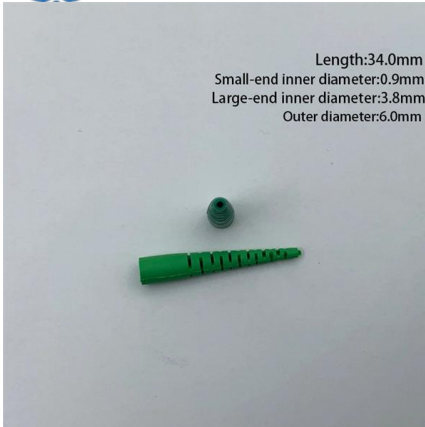
How Ukraine is Adapting to the Threat of Fiber-Optic

Ukrainian servicemen share insights on adapting to fiber-optic drones, their capabilities, and countermeasures employed on the battlefield.



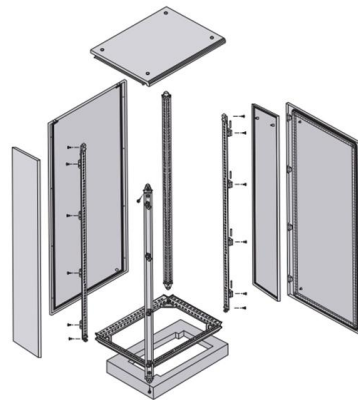
Fiber Optics Online Training Course

This course is ideal for network engineers, technicians, IT support specialists, operators, and managers who want to build practical, job-ready skills in fiber optic



FIBER OPTICAL COMMUNICATIONS (R17A0418)

COURSE OBJECTIVES: To realize the significance of optical fiber communications. To understand the construction and characteristics of optical fiber cable. To develop the knowledge of optical signal



What Is Fiber Optics? Definition from SearchNetworking

What is fiber optics? Fiber optics, or optical fiber, refers to the technology that transmits information as light pulses along a glass or plastic fiber.

FOA Practice Questions -- 100G Training and

Practice or test out your Fiber Optics knowledge with these online practice questions. Questions are taken from the FOA Reference Guide to Fiber Optics, by Jim Hayes.





Fiber Optics Practice Tests

Fiber Optics Practice Tests: Ace your exam with our comprehensive, realistic practice questions, instant feedback, and unlimited attempts.

Fiber Optics Terminology Explained: Cable, Patch Cord

1. Fiber Optics (The Industry Concept) "Fiber optics" refers to the entire field of optical communication technology that uses light to transmit data.



3BL

We've helped over 1,500 organizations build stronger communications and distribute their stories on credible publishers that drive reputation.

Fiber Optic Data Rates Reach New Record Speed

An international team of researchers have smashed the world record for fiber optic communications through commercial-grade fiber.



Fiber Optic Terminology & Definitions , Fiber Terms Guide

Underwater OSP Projects: these projects involve laying fiber optic cables on the seabed, often for submarine communications or marine research.
Conduit: Useful



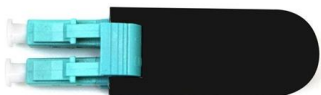
Online Bulk Cable Company , CableWholesale

As a premier online bulk cable company, CableWholesale carries a large inventory of computer cables, USB, HDMI, fiber optic, VGA cables, and more. Shop now!



Fiber-optic cable

A fiber-optic cable, also known as an optical-fiber cable, is an assembly similar to an electrical cable but containing one or more optical fibers that are used to carry





FOA Fiber U Lesson Plan: Basic Fiber Optics

This Fiber U self-study program is designed to familiarize anyone just starting in fiber optics with the technology and processes involved in fiber optic network design,



Passive optical network

A fiber optic cable assembly with SC APC connectors, as commonly used to link optical network terminals to passive optical networks A passive optical network

Fiber Optic Lab Manual

Upon completing the activities, you will have gained a better understanding of fiber optics from having worked with real fiber optics hardware and learning techniques, and from gaining hands-on



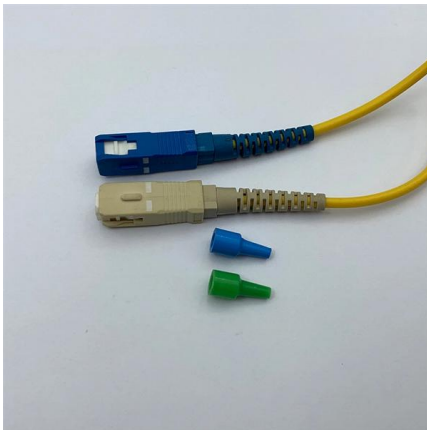
Fiber Optic Cables Protected Against Rodents

Fiber Optic Cables Protected Against Rodents 1. Introduction The telecommunications sector is undoubtedly one of the most prominent sectors in



Fiber Optic & Cable Standards Guide , FiberMania

Fiber Optic and Cable Standards (1): A Practical Overview of Key International References Fiber optic networks are built on well-defined standards



Fiber optic drone

Fiber optic drone Ukrainian FPV drone unspooling the fiber optic cable. Ukrainian FPV drone with fiber-optic communication channel A fiber optic drone is an unmanned aerial vehicle (UAV), usually a first

Contact Us

For datasheets, pricing, or custom telecom energy solutions, please visit:
<https://koskolong.co.za>