



Adam Tas Corridor Energy

Fiber optic aggregation switch optical port





Fiber optic aggregation switch optical port

All you need to know about fiber aggregation points

Fiber aggregation points are centralized locations within fiber optic networks where lower-speed fiber links are combined into higher-capacity cables



AXIS D8308 Fiber Aggregation Switch

8-port fiber switch for efficient network management AXIS D8308 Fiber Aggregation Switch is easy to install using standard Axis tools as AXIS IP Utility and AXIS Device Manager. It comes with an



What is an Aggregation Switch?

The aggregation switch is located in the middle of the network architecture, which is equivalent to a middle-level manager of a company. It

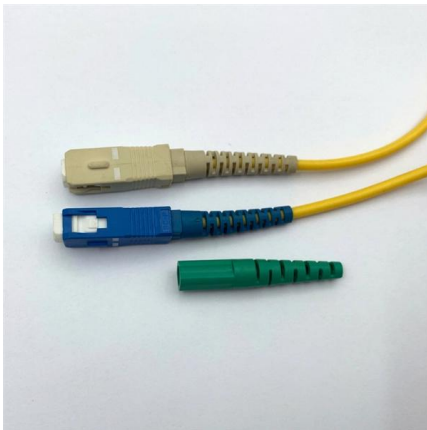


24-Port Gigabit Ethernet L3 Stackable Fiber Switch with

24-Port Gigabit L3 Aggregation Ethernet Managed Fiber Optic Switch, 24x GE SFP Ports,



8x GE RJ45 with 6x 10GE SFP+ Uplinks, Support Stacking The S5300



Aggregation switches and routers

The expected growth of gigabit and multigigabit services requires operators to architect network access scalability upfront. For this reason, we have delivered a

FS Releases 1G Fiber Optic Switch for

The future of communications networks is bound to be all-optical systems, which is reinforced by 5G deployment. Conforming to the development



OptoConnect Aggregation Fiber Shuffle Boxes

Available in many RU sizes, fully tested and ready for installation, OptoConnect Aggregation Fiber Shuffle Boxes support simple-to-complex fiber routing using an automated FlexPlane fiber process



EPON OLT 8 Port , High-Capacity Fiber Aggregation

EPON OLT 8 Port - High-performance 1U OLT with 8 PON ports, 8 uplinks, and advanced Layer 2/3 features. Ideal for FTTH/FTTB deployments supporting up to



Gigabit 16-port L2+ managed Ethernet switch

L2+ managed Ethernet fiber switch with 8*10/100/1000M RJ45 ports and 8*100/1000M uplink SFP fiber ports. It built-in power supply and 1U/19" cabinet

Switch Aggregation

An 8-port, Layer 2 switch made for 10G SFP+ connections.



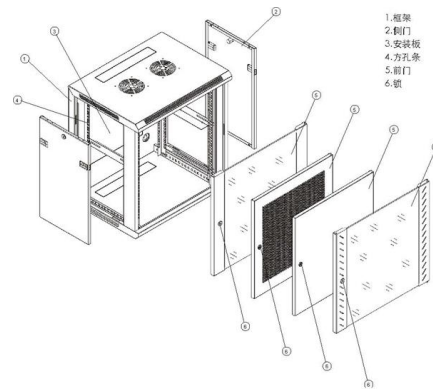
Amazon : Fiber Switches

Estink SFP Ethernet Fiber Optic Switch, 1000m Ethernet Fiber Optic Transceiver, 4 Optical Ports 2 Electrical Ports, 120km, with LED Indicator, Supports 9k Bytes Jumbo Frames Add to cart



What Is an All-Optical Ethernet Switch?

All-optical Ethernet switches are a type of switch that provides optical uplink and downlink ports, making them an ideal choice for building an all-optical campus network. They can function as



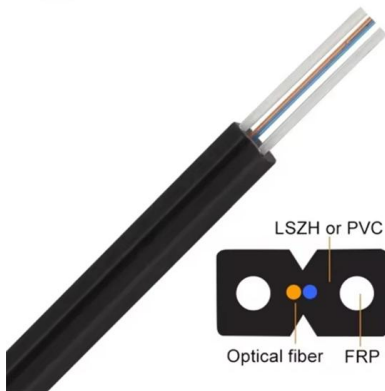
Media Converter 8 Port, 8 Port Media Converter

An 8-optical and 2-electrical all-GIGABit fiber aggregation switch provides eight

Switch Aggregation

High-performance 10G SFP modules for optimal connectivity. An 8-port, Layer 2 switch made for 10G SFP+ connections.





Aggregation Switches: LANCOM Systems GmbH

Equipped with future-proof fiber-optic and multi-Gigabit Ethernet (mGbE) ports as well as high-throughput uplink and stacking ports, they form the basis for efficient

Aggregation Switches: LANCOM Systems GmbH

LANCOM aggregation switches enable high-performance and hierarchical switch infrastructures to be set up and serve as the distribution basis for networking



Build a 10Gbps Fiber Network Between Buildings , SFP+ Switch, PoE,

This video shows you how to build a 10Gbps fiber optic network between buildings using PoE+ switches, SFP+ transceivers, and link aggregation for even higher speeds (up to 40Gbps!).

3 FAQs of Connecting Switches by Fiber Optical Ports

Switch optical port intercommunication means that the optical fiber ports of two switches are connected to each other to achieve the purpose of





Building a smarter network using fiber optic aggregation switches

These switches are optimized for long-distance, high-throughput optical transmission, designed to handle large-scale traffic aggregation in fiber rich environments such as data centers, ISP networks,

cnMatrix EX3024F Fiber Aggregation Switch

The EX3024F is a fiber aggregation switch that has all 10 Gbps SFP+ fiber ports. It also has dual internal power supplies for additional robustness and redundancy.

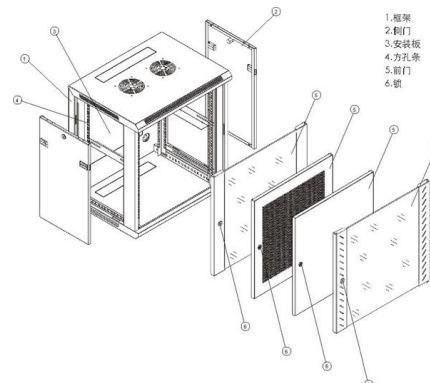


\$MS \$LITE \$COHR \$CIEN EXECUTIVE SUMMARY Morgan

Against this baseline, the report layers in approximately \$23bn of "new" optical opportunities by 2028 and beyond, segmented into 5 markets with approximate 2028 TAMs as

Fiber-optic Aggregation Switch

Fiber-optic Aggregation Switch, Achieve greater efficiency and speed with Layer 3 managed switches equipped with 10G uplink. Perfect for demanding





In-depth analysis: What is an aggregation switch?

In many network constructions, we have all heard of switches. So do you really understand switches? Why are aggregation switches often overlooked?

Understanding SFP Port: A Guide to Gigabit Ethernet

A: An SFP module is a small form factor pluggable transceiver inserted into an SFP port. It converts electrical signals from the device into optical signals



How Are Network Switch Connect To Fiber

Learn how network switches connect to fiber optics for fast and reliable data transmission. Understand the benefits and considerations of this



Fiber Optic Network Switches , Ethernet to Fiber

VERSITRON manufactures a wide range of fiber optic switches that provide links for your 10Base, 100Base, 1000Base Gigabit, and 10 Gigabit networks



OEM Fiber Optic Aggregation Switch Supplier, Factory, Hasivo

Looking for high-quality fiber optic aggregation switches? Check out Sichuan Hasivo Electronics Co., Ltd. for reliable and efficient networking solutions.

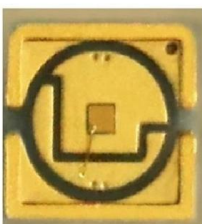
24-port Gigabit 4 optical ports Gigabit Layer 3 managed switch static

WS3028GM Layer 3 Gigabit Managed Switch supports 24 Gigabit Ethernet ports, 4 Gigabit SFP optical ports and 1 management port. The switch provides advanced network management features:



Everything You Need to Know About Aggregation Switch

Port Density: Aggregation switches should have adequate port density to accommodate high-traffic volumes from different access switches.
Bandwidth:





Contact Us

For datasheets, pricing, or custom telecom energy solutions, please visit:
<https://koskolong.co.za>