



Adam Tas Corridor Energy

Fiber optic cable and iron wire are electrified





Overview

Unlike traditional copper wires that transmit data using electrical signals, fibre optic cables use light to send information. Technically, fiber optics transmit light pulses through total internal reflection, completely independent of. There are two types of these cables, OPGW (optical power ground wire) and OPPC (Optical power phase conductor) cables. Nowadays due to the advancement in technology, almost everything is powered by electricity.



Fiber optic cable and iron wire are electrified



wiring

14 I am building a new home, and want to get fiber internet installed in it. In my current home, the fiber is wired externally on walls, above doors and

Fiber Optic vs. Copper Cables: What's the Difference?

Both fiber optic and copper network cables are common in the enterprise, but what is the difference between a fiber optic vs. copper cable?



How Fiber Optics Was Invented

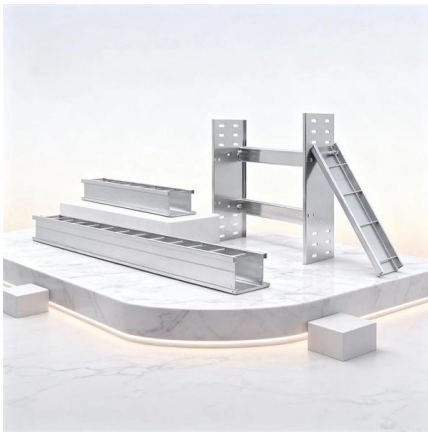
Fiber optics is the contained transmission of light through long fiber rods of either glass or plastics. The light travels by process of internal reflection.

Can Cable Company Run Fiber Through Power

It's possible, practical, and generally legal per relevant codes to install an all-dielectric type



fiber optic communications cable in the same conduit as electrical



What is a Fiber Optic Cable, How Are They Constructed?

Copper wire radiates energy that can be monitored. In contrast, taps in fiber optic cable are easily detected. fiber optic cable also extends to much longer distances

Fiber Optics For Electrical Utilities

Besides the use of special cables on transmission and distribution towers or poles, the installation of fiber optic cables for utilities may require the shutdown of electrical distribution for installation,



How does a fiber optic cable work?

Over the last 20 years or so, fiber optic lines have taken over and transformed the long distance telephone industry. Optical fibers are also a huge part of making



The Science Behind Cable And Fiber-Optic Connections

DSL and cable use electric signals while fiber-optic connections move at the speed of light.



Fiber vs. cable: What is the difference? , ZDNET

We break down the differences between fiber and cable, while highlighting their unique respective advantages.

Are fibre optic cables immune to electro-magnetic interference?

Are fibre optic cables immune to electro-magnetic interference? Ask Question Asked 8 years, 9 months ago Modified 8 years, 9 months ago



Can Cable Company Run Fiber Through Power

It is recommended that nonconductive fiber optic cables be installed in their own dedicated conduit or raceway, separate from power conduits. This ensures that



Can I run fiber in the same conduit as electrical?

Ultimately, the decision to run fiber optic cables in the same conduit as electrical cables should be made with careful consideration of the potential risks, regulatory



Microphone

Fiber-optic microphones are robust, resistant to environmental changes in heat and moisture, and can be produced for any directionality or impedance matching. The

Fiber-optic cable

A fiber-optic cable, also known as an optical-fiber cable, is an assembly similar to an electrical cable but containing one or more optical fibers that are used to carry



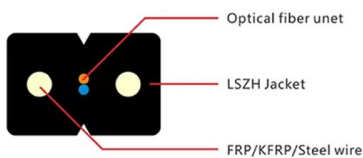


Review of the usage of fiber optic technologies in electrical power

There are several fiber optic bundles - the core of the cable is a metal wire, and the tubes (multiple) containing fiber optic bundles are positioned around the core (sometimes alternating with

5 Facts About Fiber Optic Cables , Cables & Wiring

5 Facts About Fiber Optic Cables Publish Date: November 3, 2021 , Category: Cables & Wiring , tags: fiber optic cables Not all cables are made of



Quora

Hier sollte eine Beschreibung angezeigt werden, diese Seite lässt dies jedoch nicht zu.

Power Over Fiber - optical delivery of power, photonic

Power over fiber, also known as photonic power, is a technology for transmitting optical power through an optical fiber and converting it back into electrical power



What Is a Fiber Optic Cable and How Does It Work

A fiber optic cable uses thin glass or plastic fibers to transmit data as light pulses, enabling fast, clear, and reliable communication over long distances.

Why Do Fiber Optic Installations Increase Electrical

This inadvertent EMI then piggybacks on the copper cable and phone lines into our homes where it can radiate from every copper wire. This EMI from



Types of Electrical Wires and Cables

Not only the electrical sector uses cables and wires for power transmission and distribution to our house and industries, the Telecom sector also relies on various



Does fiber internet require electricity?

It's important to note that while the fiber optic cable itself is passive and doesn't consume electricity, the active components that enable its function are entirely



Are Fiber Optic Cables Electrified

Fiber optic cables themselves are not electrified. Fiber optics transmit optical signals, not electrical signals; their core materials are glass or plastic fibers, which are not conductive.



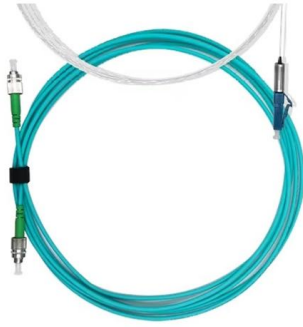
How Corning Makes Super-Pure Glass for Fiber-Optic

How Corning Makes Super-Pure Glass for Fiber-Optic Cable The glass company can't just melt silica. The process involves glass soot particles and a



Does Fibre Use Electricity?

In summary, fibre optic cables do not use electricity to transmit data; they use light signals. However, the supportive devices like transmitters, receivers, and



Can optical fiber carry electricity?

Optical fibers are made-up of insulators, making them a very poor choice for transporting electric power as most of the power will be lost in the fiber itself.



How Fiber Optic Cables Work: An Explanation for Non

Fiber optics is poised to meet this demand. The combination of higher bandwidth and lower attenuation (or loss of signal strength) makes fiber optic

Can I run fiber in the same conduit as electrical?

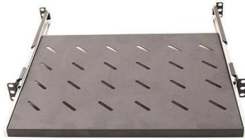
These regulations are designed to ensure safety and prevent interference. Alternatives Instead of running fiber optic and electrical cables in the same





How It Works: Optical Fiber , Glass Optical Fiber , Corning

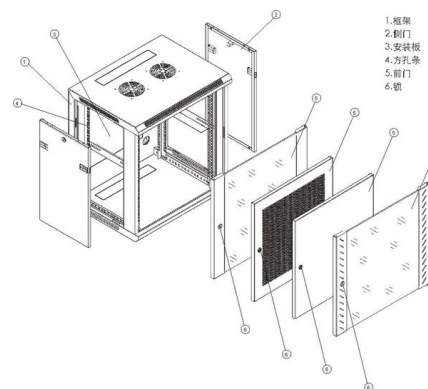
Learn how optical fiber works, the different types of fiber, and how fiber optic cable glass continues to evolve.



Webit Cabling

Fiber Technology at Electrical Utilities: Techniques for

Fiber is nonconductive, and fiber optic cable is generally nonconductive. Most aerial fiber optic cables are installed by lashing to a steel messenger wire strung



Contact Us

For datasheets, pricing, or custom telecom energy solutions, please visit:
<https://koskolong.co.za>