



Adam Tas Corridor Energy

Fiber optic cable sealing steps include





Overview

Select and Attach Sealing Rings: Choose sealing rings that match the cable's outer diameter. The most common fiber splice closure sealing methods include heat-shrink, mechanical, and gel-based sealing. While they all share the goal of isolating external factors, they achieve this in different ways. Where reels are supplied with protective material fitted over the cable, the protection should remain in place until the cable will be installed. Firstly, it protects against environmental hazards like moisture, dust, and debris that can damage delicate fiber optic cables.



Fiber optic cable sealing steps include

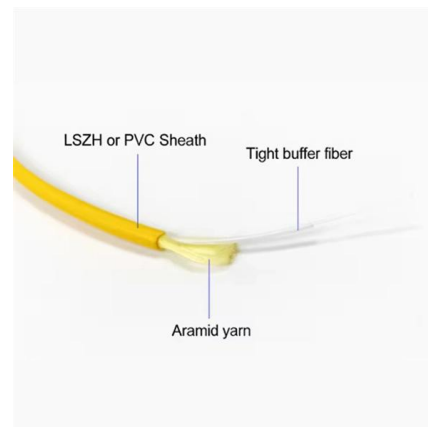


Fiber Optic Cable Installation and Handling Instructions

Introduction Fiber optic cables can be easily damaged if they are improperly handled or installed. It is imperative that certain procedures be followed in the handling of these cables to avoid damage

Optical Fiber Cable Installation Guideline

In order to effectively pull cable without damaging the fiber, it is necessary to identify the strength material and fiber location within the cable. Then, use the method of attachment that pulls most



Steps in Fiber Optic Cable Manufacturing Process

The first step in Fiber Optic Cable Manufacturing is the production of the preform, which serves as the foundation for the optical fibers within the cable.

Fiber Optic Internet Installation Guide: Steps for Installing Fiber

Learn how fiber optic internet installation works, from network planning to internal ONT setup.



Discover step-by-step guidance for installing fiber optic cable and choosing reliable fiber optic



Different Sealing Methods for Fiber Splice Closure: 3 Essential

Equip yourself with the knowledge to choose the right fiber joint closure for any application. In this guide, we uncover the three essential strategies for enhancing your fiber networks' longevity



Fiber Optic Cable Installation: How To Properly Install It

Fiber optic cable installation made simple: learn the proper steps, tools, and techniques to ensure a fast, reliable, and long-lasting network connection.



OPTICAL FIBRE CABLES INSTALLATION GUIDE

General. In any cable deployment, whether it is optical fibre or any other type of cable, it should be considered the considerable number of tasks related to the manipulation and laying of the cable.



Fiber Optic Installation Requirements: Complete Guide

Learn the different fiber optic cable installation requirements with our expert guide to ensure optimal performance and durability in your network.



What are Pros and Cons for Different Sealing Methods of Fiber Splice

Confused about choosing the right fiber splice closure sealing method? Dive in to discover the pros and cons of each approach. Make an informed decision and build a stable fiber optic network!

Fiber Optic Splice Closure Sealing in Cable Installation

When placing the reserved optical cable, it should be operated by two people to avoid cable twist. After placing the reserved optical cable, wrap the splice closure with plastic cloth and



Fiber Splicing Methods and Protection with Splice Closures

Fiber optic cable splicing is the process of joining two fibers end-to-end to create a continuous optical path. In PON and FTTH networks (e.g., FTTH,



Fiber Internet Installation: Step-by-Step Guide (2026)

Fiber internet uses fiber optic cables instead of coaxial cables or metal wires to transmit data. Unlike traditional cable internet, which relies on



Different Sealing Methods for Fiber Splice Closure: 3 Essential

Why is the Sealing Method of a Fiber Splice Closure Important? The sealing method of a fiber splice closure is paramount for several reasons. Firstly, it protects against environmental

How to Strip and Prepare Fibre Optic Cable for

Introduction: Stripping and preparing fibre optic cables for termination is a critical step in the installation and maintenance of fibre optic networks.





Fiber Optic Installation Process: Complete Guide (2025)

Learn about the fiber optic installation process with our detailed guide. Understand each step to ensure a smooth and efficient setup for high-speed



Fiber Splice Closure Sealing Methods: Pros & Cons Explained

The most common fiber splice closure sealing methods include heat-shrink, mechanical, and gel-based sealing. While they all share the goal of isolating external factors, they achieve this in



Installation Guide of Fiber Optic Closure

Installation Instruction Optical Fiber Preparation
Remove the outer cover of the fiber optic cable, (if there is, please remove the shield and armor)



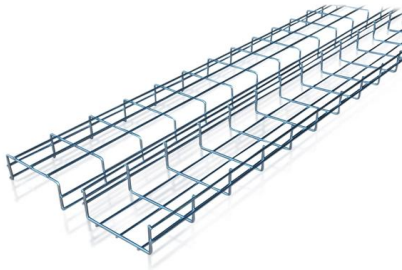
3 Steps to Perfect Optical Signal with Fiberclosure

By following these steps, you can install a fiberclosure effectively, ensuring a robust and reliable network. This process not only enhances the



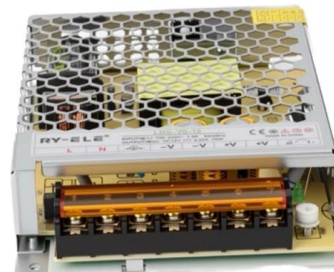
Hermetic Epoxy Sealing for Fiber Optic cables

Douglas Electrical Component's OptiSeal(TM) provides custom hermetic seals for any fiber optic cable configuration, ensuring reliable performance in various applications.



Installation Guide for Fiber Optic Splice Closure

By following these detailed steps, the installation of your Fiber Splice Closure will be secure, organized, and maintained, ensuring high performance



Complete Guide: How To Terminate Fiber Optic Cable

How to terminate fiber optic cable?Fiber optic termination is the process of preparing and connecting the end of a fiber optic cable so it can transmit data.





FSA Fiber Optic Sealing Assemblies

The fiber optic cable is encased within a rugged stainless steel sheath that protects the cable from damage during the sealing process. This sheath is then placed through a seal fitting. This process

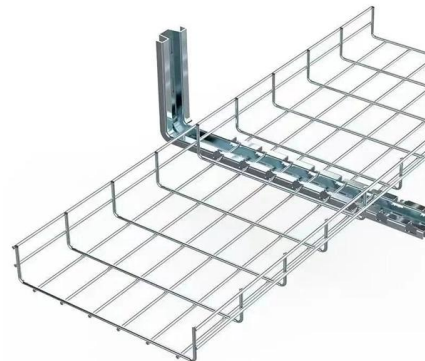


How to Use Fiber Optic Splice Closures for Maximum

You use fiber optic networks for quick and steady communication. A Fiber Optic Splice Closure keeps your fiber safe from water, dirt, and damage. If

Step by Step Guide

This tutorial shows you the detailed step-by-step guide on how to terminate an epoxy and polish SC connector onto 3mm jacketed fiber. Including fiber cable



A Step-by-Step Guide to Fiber Optic Cable Installation

This beginner-friendly guide will walk you through the step-by-step process of fiber optic cable installation for each method,



Hermetic Epoxy Seals Protect Optical Fiber & Ensure Signal Quality

OVERVIEW Douglas is able to create fiber optic penetrations so dense that the fiber connectors cannot fit thru the mounting hole. An epoxy seal will resist environmental conditions such as shock and



Fiber Optic Cable Installation Process: Connecting Homes

The fiber optic cable installation process, meaning connecting homes with internet service, is becoming increasingly critical and important to understand.

Contact Us

For datasheets, pricing, or custom telecom energy solutions, please visit:
<https://koskolong.co.za>