



Fiber optic cable segment joint bundle

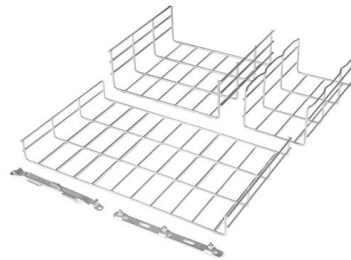


The FOA Reference For Fiber Optics

Fiber Optic Jargon Jump To: Fiber Fiber Optic Cable Cable Plant Installations Splicing and Termination Fiber Specifications Tools and Equipment Testing The key to understanding any technology is

Assembled Optical Fiber Bundles

Multiple fiber bundles separate or combine beams. For this purpose, fibers consisting of independent strands are combined with a splitter in a single cable. Up to several thousand fibers can be combined



Bundles , Spectraconn Inc

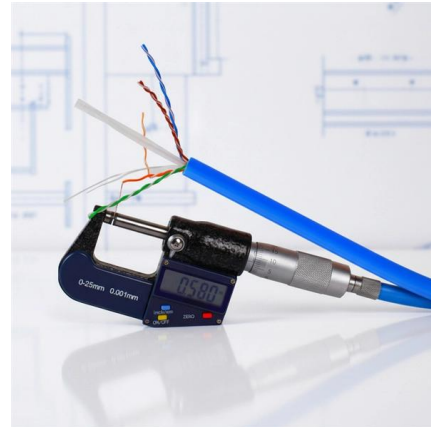
A bundle can be thought of as a jumper assembly, but with many more fibers, and a virtually unlimited number of options available for fiber types, cable materials and

12 Core Single Mode Fiber Optic Bundle Cable Patch

Fiber optic bundle cable, also known as pigtail bundle, only has a connector at one end, while



the other end is a fiber break. It is used to connect fiber optic cable to



Single Mode Fiber Optic Cable Bundle, 2D Multimode

Complementary to a single mode fiber bundle, a 2-D tapered fiber optic cable bundle uses a flat-bottom groove and lid to stack multiple fibers tightly together in a



Optical Fiber Bundles

An optical fiber bundle is an assembly of multiple fibers. In most cases, the fibers are held together at one end, while the other end may or may not be separated into branches.



The FOA Reference For Fiber Optics

Fiber optic joints or terminations are made two ways: 1) splices which create a permanent joint between the two fibers or 2) connectors that mate two fibers to



Comprehensive Technical Guide to Fiber Optic Bundles

Explore Fiber Optic Systems Inc.'s technical guide on fiber optic bundles. Detailed insights into construction, types, applications, and custom solutions. Contact FSI



Fiber bundle

Fiber bundle A cylindrical hairbrush showing the intuition behind the term fiber bundle. This hairbrush is like a fiber bundle in which the base space is a cylinder

Fiber Bundles - flexible light pipes, fiber rods, profile

Fiber bundles, made from glass or plastic fibers, have many applications in illumination, imaging and optical sensors, for example.



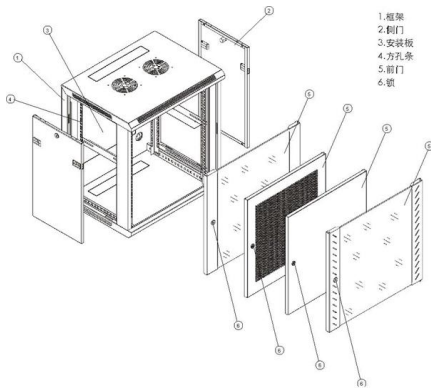
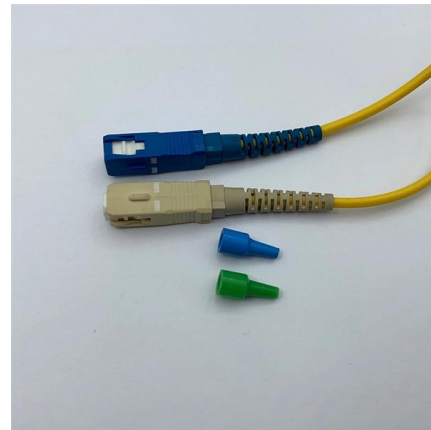
Preterminated Bundle Fiber Optic Cable Assemblies

Preterminated Bundle Fiber Optic Cable Assemblies are manufactured from 2 to 288core fibers terminated with various connector for easy installation.



Fiber Optic Jumpers, Pigtails & Drop Cables , Multilink

We provide a variety of fiber optic jumpers, pigtails, multi-channel assemblies and drop cable assemblies to help providers expand their networks



What Type of Fiber Bundle Assembly / Lightguide

Most fiber manufacturers would agree, single fiber assembly is referred to as "jumper cable assembly", or "patch cord assembly". When two or

Fiber Optic Cables

Fiber Optic Cables, Adaptors, & Accessories Our extensive offering of fiber optic cables, connectors, cassettes, enclosures, patch cords, cable assemblies, cable





Fiber Bundles - flexible light pipes, fiber rods, profile converters

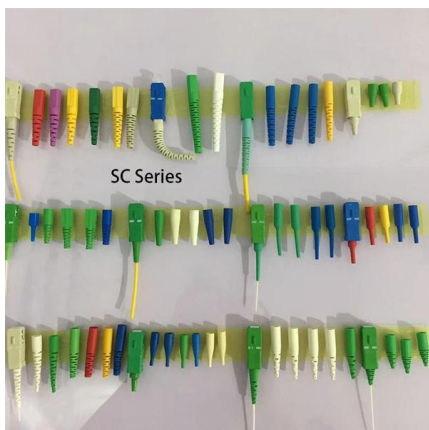
Flexible Fiber Bundle Cables
Fiber Rods
Ordered and Unordered Bundles
Connectorization
Tapered Bundles
Loss of Coherence and Polarization
It is possible to taper not only single fibers, but also whole fiber bundles which are fused together - see the article on fiber-optic tapers. Tapering of small fiber bundles is also used for fiber-optic pump combiners. See more on [rp-photonics WEINERT](#)

Fiber bundle assemblies , WEINERT Industries AG

Creation of customized bundle layouts, including options like multi-branched optical fibers and converters for cross-sections from round to linear fiber designs.

Assembled Optical Fiber Bundles

Optical Fiber Bundles Multiple fiber bundles separate or combine beams. For this purpose, fibers consisting of independent strands are combined with a splitter in a



Fiber Optic Bundles

Fiber optic bundles can take on various configurations. In their simplest form, a bundle may consist merely of multiple fibers "bundled" together randomly, with

Bifurcated Multi-Mode Fiber Bundles-



JCOPTIX MALL

The bifurcated multimode fiber bundle is externally wrapped and equipped with dust caps at both ends of the joint. The cladding can protect the fiber core, and the dust cap can effectively protect the fiber

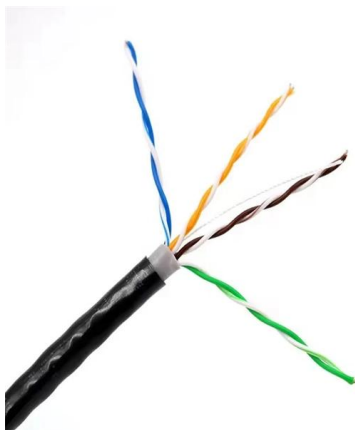


ArmD® Fiber Bundles

We fine-tune bundles to meet specific parameters, including numerical aperture (NA) and packing efficiency. Our fiber assemblies are highly flexible and can be

Fiber Bundles, Assemblies

End cap diameters and lengths are offered for select numerical apertures and fiber cores size but can be easily customized for a variety of fiber types and



An Introduction to a Spectrometer: Fiber Optic Bundles

Explore the use of fiber optic bundles in spectrometers for simultaneous sampling and enhanced signal-to-noise ratio in spectroscopy.



Fiber Optic Bundles

PRODUCTS CONTACT US Fiber optic bundles are assemblies of optical fibers bundled together in a specified configuration. Fiber optic bundles can be used to



Through-Bore Multi-Mode Fiber Bundles-JCOPTIX MALL

Fiber optic cables are fixed in a circular pattern at both ends of the joint, with three working bands available: 200-1100 nm, 350-1800 nm, and 400-2400 nm. Cable

Optical Fiber Bundles for Industry, Medical & OEM , CeramOptec

Custom-assembled optical fiber bundles for laser, sensing, and UV applications - precise light distribution and reliable beam guidance for demanding environments.



77565 Fiber Optic Bundle

The 77565 Bifurcated High Grade Fused Silica Fiber Optic Bundle is comb randomized to produce evenly divided outputs. When light is uniformly focused



Industrial fiber optic bundle manufacturer, fiber optic bundle spectroscopy

FiberTech Optica manufactures custom fiber optic bundles for distributing and shaping light in spectroscopy, laser, and instrumentation



Fiber Optic Cable Splice: The Most Complete Guide

Fiber optic cable splicing stands as the foundational skill enabling this vision, expertly uniting fiber strands to maintain flawless signal transmission. Essential for mending faults or scaling networks,



Contact Us

For datasheets, pricing, or custom telecom energy solutions, please visit:
<https://koskolong.co.za>