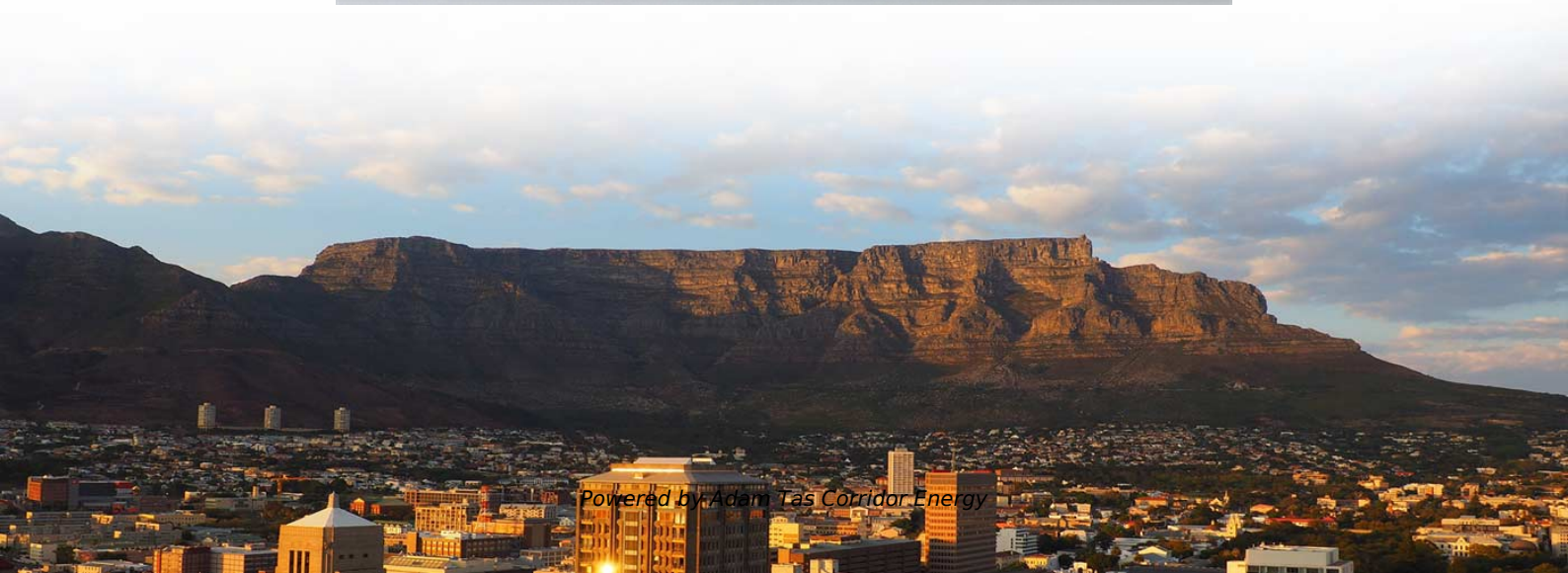




Adam Tas Corridor Energy

Fiber optic cable test misalignment





Overview

This article will guide you through the process of troubleshooting fiber optic connections, with a focus on ensuring proper TX and RX alignment and how to correctly switch patch cables to resolve issues. They deliver enormous volumes of data through strands of glass thinner than a human hair. However, when these delicate fibers are bent, crushed, or exposed to harsh environments, the light signal weakens — resulting in high. A fully filled fiber has more light in the higher order modes and is more sensitive to geometric effects. This type of loss is also known as coupling loss, which is caused by an imperfect physical connection between two fibers. Fiber optic cables are the backbone of modern communications, delivering high-speed data over long distances with minimal loss.



Fiber optic cable test misalignment

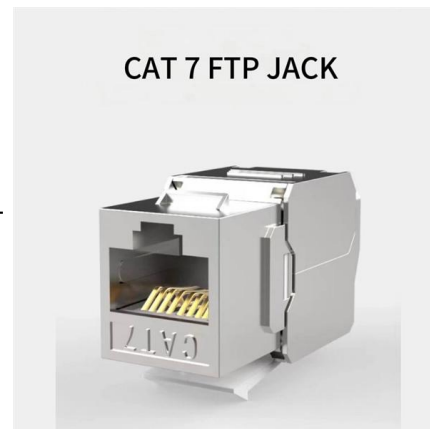


Optical fiber connector

An optical fiber connector is a device used to link optical fibers, facilitating the efficient transmission of light signals. An optical fiber connector enables quicker

Fiber Optic Cable Supply , Buy Fiber Optic Products

Shop for fiber optic cables at Cables Plus USA, leader in fiber optic products supply offering high-quality products at the best value through our fiber optic cable



Fiber Optic Cable Install: 7 Best Proven Success Tips

Master fiber optic cable install with our guide on types, installation, challenges, safety, and costs. Achieve success with AccuTech!

We Custom Build Fiber Optic Patch Cables

Custom fiber optic patch cables are our expertise. We have a very short turn-around



time. In a big hurry? Contact us now.



Investigation of coupling loss caused by misalignment in

The main goal of this article is to investigate coupling loss caused by misalignment in optical fiber using the Modicom 6 module.

Home

Optical Cable Corporation Networks that Mean Business High-performance networks are essential to business, including manufacturing, transportation, education,



How Hezbollah's fibre optic drones test Israel's sophisticated radar

How Hezbollah's fibre optic drones test Israel's sophisticated radar system Immune to electronic jamming and invisible to radar, the low-cost aircraft are piercing through Israel's



Fiber Optic Cable Failures in the Field And How to

However, in real-world installations, whether underground, aerial, or in harsh industrial environments, fiber cables can and do fail. Understanding the



AFL

AFL is a leading provider of fiber optic solutions for broadband networks, data centers, energy infrastructure, and other applications. We offer a wide range of

Optical Fiber UAV Drones: History & Future Trends

Explore the evolution, technology, and future trends of optical fiber UAV drones, a reliable alternative to wireless communication in demanding environments.



Fiber Optic Cable Testing Methods ,Fluke Networks

Careful and comprehensive fiber optics testing helps technicians detect issues such as signal loss, interference, and physical damage to the cables, any of which can severely impact network



Complete Guide to Fiber Optic Connectors and Splicing

Through Tata Play Fiber's fiber optic cable splicing, technicians swiftly restored the connection, minimising downtime and service disruption. Moreover, in rural areas where laying new



How is Fiber Internet Installed? Everything You Need to

Explore how fiber optic internet is installed in your home, with step-by-step details on cables, ONTs, routers, and what to expect during the appointment.

How to Identify & Prevent Optical Fiber Cable Damage

Learn how to detect and repair damaged fiber optic cables. Visual checks, OTDR testing, IEC compliance, and waterproof maintenance tips for



Troubleshooting Fiber Optic Connections: Ensuring Proper TX and RX

Understanding TX and RX in Fiber Optic Networks
Common Symptoms of TX/RX Misalignment Steps to Troubleshoot Fiber Optic Connections 1. Visually Inspect the Fiber Optic



Optical Fiber Alignment: Precision Techniques for

Even a micron-level misalignment can introduce significant insertion loss, degrading network performance. This article explores the techniques, tools,



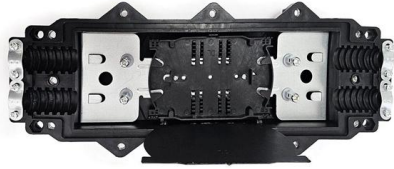
The FOA Reference For Fiber Optics

Optical fibers are very small, on the size of a human hair, and require careful alignment of the fibers to get low loss. The actual effects of misalignment are

Bulletin of Electrical Engineering and Informatics

One of the main reasons for losses in optical communication systems is misalignment during the fiber to fiber joining process. This type of loss is also known as coupling loss, which is caused by an



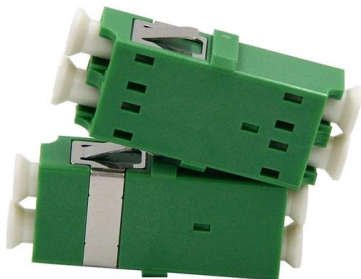


mpo conversion cables: 2026 Buying Guide

Evaluate mpo conversion cables for 800G/1.6T networks. Analyze insertion loss, Base-12 to Base-8 transitions, and stranded fiber solutions for modern fabrics.

MPO MTP Cable Guide for Network Buyers

A data-driven guide for evaluating, comparing, and procuring MPO and MTP fiber cables for high-density 400G/800G network deployments.



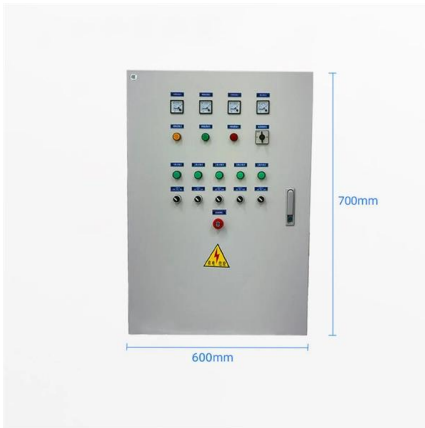
Fiber Optic Cable Buying Guide

Fiber Optic Cable Buying Guide Understand how to choose fiber optic cable by comparing single-mode vs. multimode, network speed and distance needs, cable

Fiber Optic Cable, Clamps, Boxes, for FTTH

JERA LINE-China Factory produce high-quality fiber optic cables, fiber cable clamps, and fiber optic boxes for outdoor & Indoor FTTH. ISO 9001 certified.



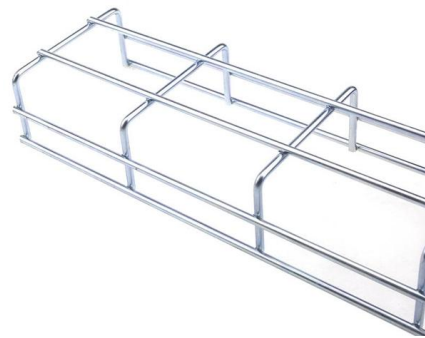


4.2.3.5 Testing Fiber Cables

Misalignment: The fiber-optic media are not precisely aligned to one another when joined.
End gap: The media does not completely touch at the splice or connection.
End finish: The media ends are not well

Rugged Fiber Optic Connector Selection Guide

Rugged fiber optic connector buying criteria for harsh environments. Compare MIL-spec vs industrial ratings, sealing methods, and deployment trade-offs.



Troubleshooting Fiber

Poor cable management can put strain on a connector that causes misalignment, or the connector may not be properly seated and connected with its mate. Worn or

Customized Polarization Maintaining Patch Cord - FC, LC, MPO

Polarization Maintaining Fiber Patch Cord - FC LC SC MPO for Precision Optical Systems Compliant with IEEE 802.3z standards for Fast Ethernet and Gigabit Ethernet applications.



Contact Us

For datasheets, pricing, or custom telecom energy solutions, please visit:
<https://koskolong.co.za>