



Adam Tas Corridor Energy

Fiber optic cables have 2 cores but not 4 cores





Overview

Multimode fiber optic cables can have multiple cores, commonly 2 or 4. Made from either high-quality glass or plastic, the core plays a critical role in determining the cable's performance. The number of optical cores in an optical fiber is the total number of equipment interfaces multiplied by 2, plus 10% to 20% of the spare quantity, and if the communication mode of the equipment has serial communication and equipment multiplexing, you can reduce the number of cores. This article will discuss about the differences between single-core, dual-core, and multi-core fiber optic cables. If the stack is stacked and the core switch is dual-machine hot standby redundancy, 6 cores are enough (2 cores each use 2 cores, and 2 cores are redundant).



Fiber optic cables have 2 cores but not 4 cores

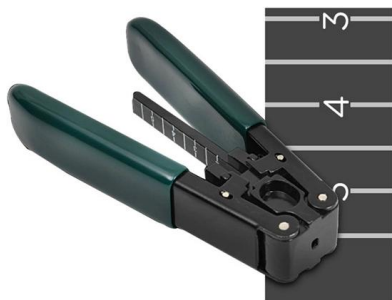


How Many Core In Fiber Optic Cable Do I Need

The number of fiber cores depends mainly on Interface of fiber optic connection equipment Communication type of the device Generally speaking, the

Fiber Optic Cable Types Explained

Our comprehensive guide to types of fiber optic cables. Learn all about the differences between single mode and multimode cables, as well as the various



4-core vs 2-core optical cables Unveiling the

A 4-core optical cable has four separate fiber strands within its protective sheath, allowing for higher data transmission rates compared to a 2-core cable with only two fiber strands.

Fiber-optic communication

Modern fiber-optic communication systems generally include optical transmitters that convert electrical signals into optical signals,



optical fiber cables to carry the



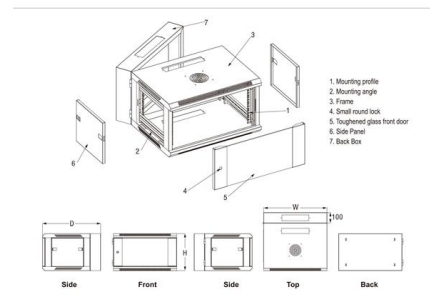
How to Choose the Suitable Number of Fiber Cores for

The more cores a fiber optic cable has, the higher the total data bandwidth it can provide. For a simple internet connection or small local area



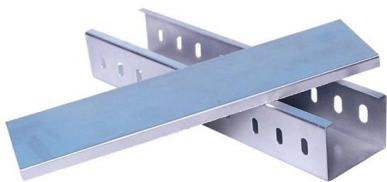
What are the different types of network cables?

Compare the different types of network cabling: coaxial, fiber optic, shielded twisted pair and unshielded twisted pair.



FO Cable Patchcord 12C OS2 Type-B OFNP 30m Corning

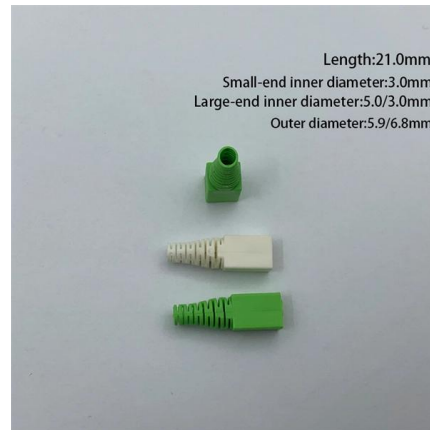
Fiber Optic Patch Cable, Fiber Optic Patchcord US Conec MTP-MTP M to M 12 Cores Type B Single Mode OS2 Corning G657A1 Elite Low Loss 0.35dB Max 3.0mm OFNP Plenum 30m (98ft)





8K Fiber Optic HDMI 2.1 Cable 30ft/9m, Long Active HDMI Cable,

Slim & Flexible Fiber HDMI Cable -- Compared with traditional copper core cables, active hdmi cable have a greater bandwidth, faster speed, less signal attenuation, no electromagnetic interference, are



1 Core, 2 Core and Multi-core Fiber Optic Cables, What

The number of cores in the fiber optic cable can greatly impact performance and have different applications. This article will discuss about the

Calculating Fiber Optic Loss Budgets

Calculating Cable Plant Link Loss Budget Loss budget analysis is the calculation of a fiber optic cabling system's estimated loss performance characteristics.



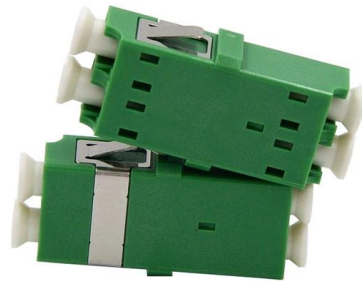
6 Port Fiber Distribution Box With 6 Adapter Slot, 8

The fttH fiber distribution box features 1 input port and 6 output ports, compatible with a 1:4 mini PLC splitter and 6 sc adapter, supporting up to 8 core fiber splicing. The



Fiber Optic Cable Core: Understanding Its Types and Uses

In today's world, fiber optic cables are commonly used in almost every sector as they help transmit data quickly over great distances. However, if there



Performance Analysis of Fiber Attenuation in Passive Optical Networks

The introduction of Fiber Optics cables in broadband Internet distribution has been a game changer in bulk capacity delivery, speed, reliability and penetration.

Fiber Optic Cable Recycling Guide (2026)

Learn fiber optic cable recycling: what's inside, how to prep scrap and spools, best options for small vs bulk loads, plus documentation tips.





Selection of Fiber Type and Number of Cores

Of course, 4 cores can be selected for 48 points, because 2 cores are the smallest unit of optical fiber, it is more appropriate to leave 2 more cores as

MPO Cable: 2026 Procurement Guide & Market Analysis

Compare MPO cable architectures, Base-8 vs Base-16 standards, and optical performance criteria. A definitive 2026 guide for high-density fiber networking.



NassauNationalCable 4 Meter 2 Fiber Opti-Core Optic Patch Cord

[/pdf] About: This is a 4-meter long fiber optic patch cord that contains two single-mode optical fibers. OS1 and OS2 are classifications for single-mode optical fiber used in various

Distributed Acoustic Sensing Turns Fiber-Optic Cables

It employs ordinary fiber-optic cables, but not as channels for data among separate sophisticated instruments. With DAS, the hair-thin glass fibers themselves are the sensors.



Wholesale 6 Core Fiber Optic Cable 2k+ , Alibaba

Shop 6 core fiber optic cables from reliable suppliers. Find durable, high-quality options for indoor and outdoor use. Perfect for FTTH and telecommunication.



How to Choose the Suitable Number of Fiber Cores for

This article will walk you through the basics of fiber optic cores and provide practical guidance for selecting the suitable fiber optic cable to meet your



Fibre Optic Cable , Fibre Cable , RS

Fibre Optic Cable Fibre optic cable, also known as 'optical fibre cable' is a technology that uses thin strands of glass or plastic to transmit data, including text, sound, and images, in the form of light





Fiber Optic Cable Industry Statistics , Verified 2026 Data

Telecommunications Connectivity Fiber Optic Cable Industry Statistics The fiber optic cable market is surging to \$32.5 billion by 2030, driven by data centers, 5G, and IoT. The global fiber



12 Core Duct Fiber Optic Cable

Find 12 core duct fiber optic cables for reliable outdoor communication. Wholesale and factory prices on durable, self-supporting, and rodent-resistant cables.

Top 7 Fiber Optic Companies: Market Share & Analyst

VMR Industry Intelligence: A evaluation of the top 7 fiber optic vendors. Featuring market share data, Proprietary Intelligence Scores (PIS), and



The Third Time Will Be The Charm For Broadcom

If Broadcom says that co-packaged optics is ready for prime time and can compete with other ways of linking switch ASICs to fiber optic cables, then it



10 Best Fiber Optic Manufacturers for 2026

Discover the best fiber optic manufacturers globally, offering cutting-edge multimode and single mode fiber solutions. See who tops the list for quality

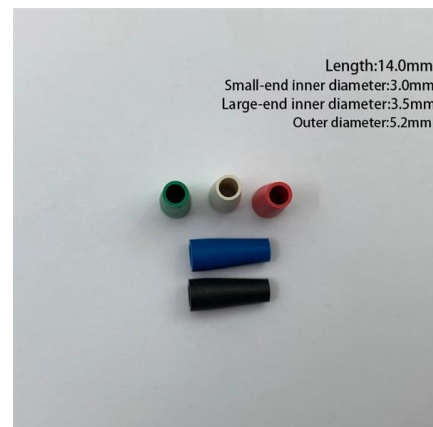


How many cores does a fibre optic cable have?

In conclusion, while multimode fiber optic cables commonly have 2 or 4 cores, there are also options available with higher core counts. The specific number of cores

Umhlahandlela Wentengo Yomkhiqizi Wekhebula Le-Fiber Optic

This fiber optic cable manufacturer Price guide breaks down the costs of ADSS, Outdoor, and FTTH cables, and explains how to get the best factory-direct rates from Wolon.





How Many Core In Fiber Optic Cable Do I Need



One key factor is the number of cores, which impacts how much data you can transmit. This post will guide you through understanding fiber optic cores

Contact Us

For datasheets, pricing, or custom telecom energy solutions, please visit:
<https://koskolong.co.za>