



Adam Tas Corridor Energy

Fiber optic expander collimator coupling equipment





Fiber optic expander collimator coupling equipment



Fiber Optic Splicing Equipment

Fiber Instrument Sales has a wide variety of fiber optic splicing equipment such as fusion splicers from AFL, Sumitomo, FITELE, and FIS. FIS also splicing tools and accessories such as cleavers, thermal

Fiber Optics Manufacturing Equipment

There are several types of fiber optics manufacturing equipment, including fiber drawing towers, fiber recoaters, fiber cleavers, fiber splicers, and fiber testers. Each of these machines performs a specific



Fiber Coupling and Collimation

How measured fiber parameters help to choose the best coupling and collimation optics.



Laser Beam Expanders

A beam expander will increase the input laser beam by a specific expansion power while decreasing the divergence by the same



expansion power, resulting in a



Custom Fiber Collimator at Avantier

Fiber Collimator A fiber collimator transforms light emitted by an optical fiber into a collimated beam in free space. It can also be used for fiber-to-fiber coupling or to



Fiber collimators & fiber couplers , aspheric

As well as coupling and collimating your optical fiber, it also enables you to enlarge or reduce your input beam, creating perfect input conditions for all subsequent



Schematic diagram of the experiment. 1-optical fiber

Download scientific diagram , Schematic diagram of the experiment. 1-optical fiber collimator, 2-beam expander, 3-turbulence generator, 4-receiving telescope, 5





Fiber Optic Collimators

These collimators can be glued into a 2D array with high precision and all light channels are thus parallel. The type of fiber, the operating wavelength, the working distance and other parameters



Fiber Collimators - lens, collimated beam, focal length, beam size

Fiber optic collimators can be used in pairs to couple the input and output light of optical devices. Typical applications include the use with fiber coupled lasers and pigtailed receptacles, as well as



Fiber Optic Collimation/coupling Packages

These packages can be used to couple a free-space laser beam into an optical fiber. To obtain a high coupling efficiency, the NA of the patch cable needs to be



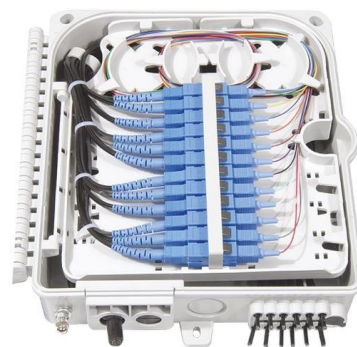
Optical Coupling Efficiency of a Coupler with Double

Improving the coupling efficiency of two optical signals is a hot issue, where the efficiency of optical coupling has a significant effect on the signal



Fiber Collimators-CASTECH INC. _A Leading Photonics Solutions

The expanded beam collimator is composed of an optical fiber, a focusing lens and a beam expander. The output beam has a small divergence angle and is usually used in a large spot output system.



Fiber Collimator

Fiber collimators are used to couple light into and out of optical fibers. The coupling units developed by Laser Components for the UV-NIR and CO₂ wavelengths can also be used in reverse direction as

Optical transmission characteristics of Large-tolerance Fiber

Abstract A Large-tolerance Fiber Collimator (LTFC) consisting of a Thermally Expanded Core Fiber (TECF) and an aspherical lens is designed to solve the problems of low beam coupling





Product Configurators

Configurator for choosing adequate Laser Beam Couplers or Fiber Collimators for fiber optics. By choosing different parameters the choice of possible fiber optic products is reduced to a small list of

Fiber Optic Collimators , MEETOPTICS Academy

Fiber optic collimators are used to launch the light from an optical fiber into a free space collimated beam with specified beam diameter or spot size. They can also



Working Principle and Application of Optical Fiber

They can be used in circulators, optical switches, collimator arrays, and other optical communication devices to ensure stable transmission of optical signals. Medical

Fiber Optic Test Equipment , Optical Test Equipment

GAOTek offers a full and affordable range of fiber optic cable test equipment and optical test equipment such as OTDRs, optical fiber testers, fusion splicing



fiber optic collimation/coupling packages , CNI laser

These collimators are designed to connect onto the end of an FC/PC or SMA905 connector and contain an AR-coated aspheric lens. The distance between the



Fibre Collimators: Standard, IR, UV, RGB and Custom

Standard, UV, RGB and Custom designs Fibre Collimators The Micro Laser Systems' FC Series of collimators are designed specifically for single mode fibre



Fiber Optic Couplers Information

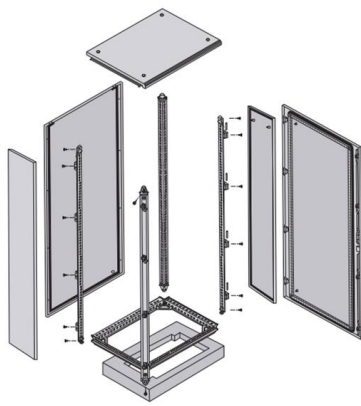
Fiber optic couplers are optical devices that connect three or more fiber ends, dividing one input between two or more outputs, or combining two or more inputs





Fiber Collimators - Buying Guide & Supplier List , RP

Free-space coupling: Launching light from a fiber into bulk optical components such as optical isolators, modulators or switches. Fiber-to-fiber coupling: Using a pair



Fiber Optic Collimators , Suppliers , Photonics Buyers' Guide

Explore 28 top manufacturers and suppliers of Fiber Optic Collimators in our comprehensive photonics buyers' guide.

Fiber Optic Collimation/coupling Packages

| Each Collimation Package is Factory Aligned |
Simplifies Free-Space Laser to Fiber Coupling
These fiber collimation packages are pre-aligned to collimate light from



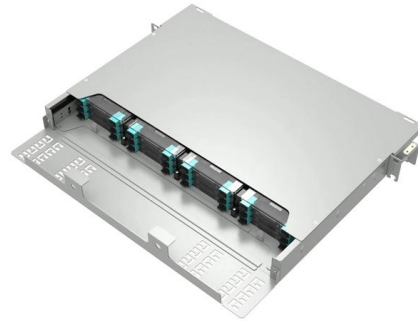
Fiber Coupling to Polarization-Maintaining Fibers and Collimation

Fiber Coupling to Polarization-Maintaining Fibers and Collimation How measured fiber parameters help to choose the best coupling and collimation optics. by Anja Knigge, Mats Rahmel, and Christian



What is a Fiber Collimator? Why is it needed?

Fiber collimators can also be used for launching light from a collimated beam into a fiber or for fiber-to-fiber coupling where light from the first fiber is collimated and then focused into the



Fiber Collimators

Fiber collimators convert light from an optical fiber into a collimated beam or focuses a free-space beam into a fiber for optical use.

Laser Accessories: Fiber Coupler, Beam Expander, Line

We offer fiber coupler, beam expander, line generator to almost all of our lasers.



Contact Us

For datasheets, pricing, or custom telecom energy solutions, please visit:
<https://koskolong.co.za>