



**Adam Tas Corridor Energy**

# Fiber optic patch cord nameplate for communication equipment room

## REINFORCED VIRGIN PVC TRUNKING

Superior Crush Resistance



**37.6MPA**  
Tensile Strength



**2856MPA**  
Elastic Modulus



**9.8KJ/M<sup>2</sup>**  
Impact Strength



**1.54G/CM**  
Density



## Fiber optic patch cord nameplate for communication equipment room

---

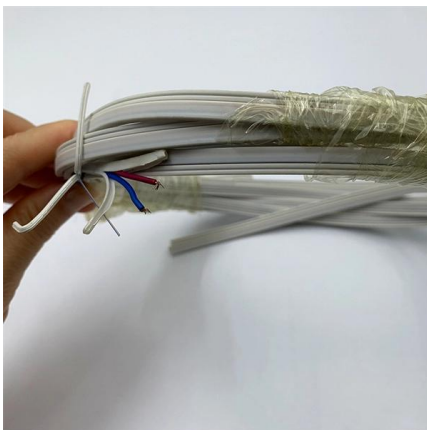
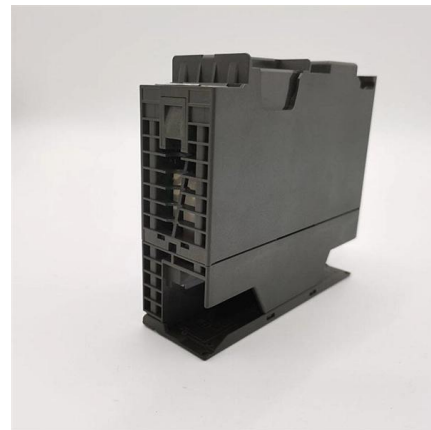


### NMS\_eBook\_CablePatch\_D4

Patch Panel Labels are used for identifying network cabling, recording studio layouts, and radio and television panels for connecting the appropriate cables to jacks. Faceplate Labels are used in

### Fiber Patch Panels: A Beginner's Guide , RLH

Fiber optic patch panels are enclosures that act as a distribution hub for fiber cable. A bulk (multi-strand) fiber cable enters the patch panel and then each fiber strand



### Patch Panels Explained: Types, Benefits, and How They Work

A patch panel, including fiber patch panels and Ethernet patch panels, is a passive network device that centralizes, terminates, and organizes multiple copper or fiber cables. Serving as

### Network Cable Labeling Standards Guide , PDF

This document outlines labeling standards for network equipment, voice, and data cables for



JKR-ICT projects. Equipment racks, switches, outlets, patch panels,



### **Label Templates for CommScope Structured Cabling Products**

The templates and functionality are specifically geared to CommScope NETCONNECT products such as patch panels, wiring/connector blocks, outlets/faceplates, and cable/patch cord labels.

### **Patch Panels: A Complete Guide**

See what cables you currently use in your fiber optic connections and make sure that whatever patch panel you purchase matches up to that before



### **A Beginner's Guide to Fiber Patch Cables**

A fiber patch cable consists of a length of fiber optic cable with connectors on both ends, to transmit optical signals between fiber optic



## How To Label A Fiber Patch Panel

Labeling the fiber patch panel is crucial for easy identification of each fiber and for efficient troubleshooting and maintenance. Here are some tips on



## 27 00 00 GENERAL COMMUNICATIONS REQUIREMENTS GENERAL

The MDF shall be connected to each IDF with 12 singlemode and 12 multimode strands of OFNP type (optical fiber, non-metallic, plenum rated) "home-run" fiber optic cable.

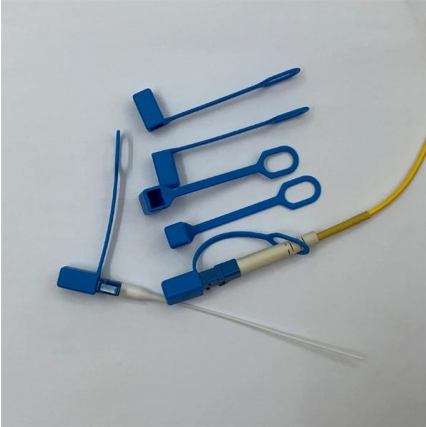
## How to Arrange Fiber Optic Patch Panel in Data Center

In modern data centers, where high-speed and high-density connectivity is critical, organizing fiber optic patch panels effectively is essential



## Fiber Optic Patch Cords Guide , Types, Connectors

Explore fiber optic patch cords for telecom, data centers, and FTTH. From LC/SC to MPO/MTP and armored jumpers, ZION Communication offers



## How to Arrange Optical Fiber Patch Cords in the

Turn off room lights, double-check for any remaining items, and lock the room door upon departure. Conclusion In the meticulous arrangement of



## 10.6. Patch Panels, Patch Cables and Racks

10.6.7. Fibre patch panels are termination units, providing a secure, organised chamber for housing connectors and splice units while organising, managing and protecting fibre optic cable, splices and

## Proper Cable Labeling Guidelines

Proper Cable Labeling Guidelines For example, "AB05-14:01AB05-20:03" is a typical patch cord label. What information does this identifier (ID) tell? "AB05" means the cabinet. And the numbers mean the



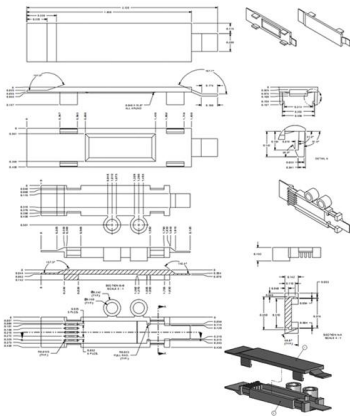


## Data systems equipment room fittings

Learn how to assess equipment room fittings, including data racks, cable management, labeling, and power equipment, for efficient system organization and maintenance.

## What Fiber Patch Cables Are and How to Use Them

They are employed in communication systems, surveillance equipment, and avionics. Healthcare and Medical Imaging: In healthcare facilities,



## Proper Labeling of Data Center Infrastructure Components

Documentation should be located inside the fiber panel that clearly identifies which fiber strands are connected to which bulkhead. A labeling identifier can be constructed by combining the pertinent

## Proper Labeling of Data Center Infrastructure Components

Labeling An important step in the documentation process is proper labeling of the all the data center infrastructure components. Every component of the telecommunications infrastructure should be



### Fiber optic patch cords and equipment cords , standard

Fiber optic patch cords and equipment cords - standard single-, dual-, or multifiber data cables that are factory-assembled with the commonly used fiber optic



### Patch panel

The term patch came from early use in telephony and radio studios, where extra equipment kept on standby could be temporarily substituted for failed devices.



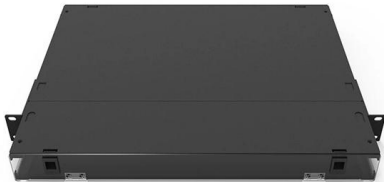
### Fiber Patch Panels: A Beginner's Guide

Fiber optic patch panels are enclosures that act as a distribution hub for fiber cable. A bulk (multi-strand) fiber cable enters the patch panel and then each fiber strand is separated into individual strands or



## The Network Team's Guide to Data Center Infrastructure

Labeling and Documentation Every network team can tell horror stories about the "spaghetti" in or around their data center racks: unmarked cable tangles that turn a quick fix into an all-day ordeal.



## The FOA Reference For Fiber Optics

The communications connection to the outside world comes into the building through what is called a "service entrance" and is terminated in the main "equipment"

## How to Label Patch Panels Properly? - MakeID

In today's cabling systems, properly labeling patch panels can significantly bolster the efficiency of network management. A



## How To Label a Patch Panel

Accurate patch panel labeling requires the right measurements, ANSI/TIA-606-D naming, and durable labels. Learn how Fox-in-a-Box® makes it



## What Are Fiber Patch Cords and Their Role in Networking

Table of Contents Fiber patch cords, or fiber patch cable are optical cables with connectors on both ends, designed to link devices in a network and



## NMS\_eBook\_CablePatch\_D4

Faceplate Labels are used in identifying the outlet box for coaxial, category 5, 6, 6E or fiber optic cables. Keep this guide handy in your facility, workstation, or on the jobsite. Your staff and contractors will be

## What is a Patch Panel?

For legacy voice communications, such as analog fax machines, two- or four-wire patch panels using RJ-11 interconnects are typically used. A patch





## **Fiber Optic Patch Cord Blue SC& UPC 12Core Ribbon Pigtail Blue**

Optical Fiber Patch Cord Simplex FC ST LC SC  
Single Mode 5M 3M 2M 1M Fiber Optic Cable  
Features: \* Insert-pull, key-oriented coupling  
mechanism which allows high repeatable, low-  
loss connection \*

## **Contact Us**

---

For datasheets, pricing, or custom telecom energy solutions, please visit:  
<https://koskolong.co.za>