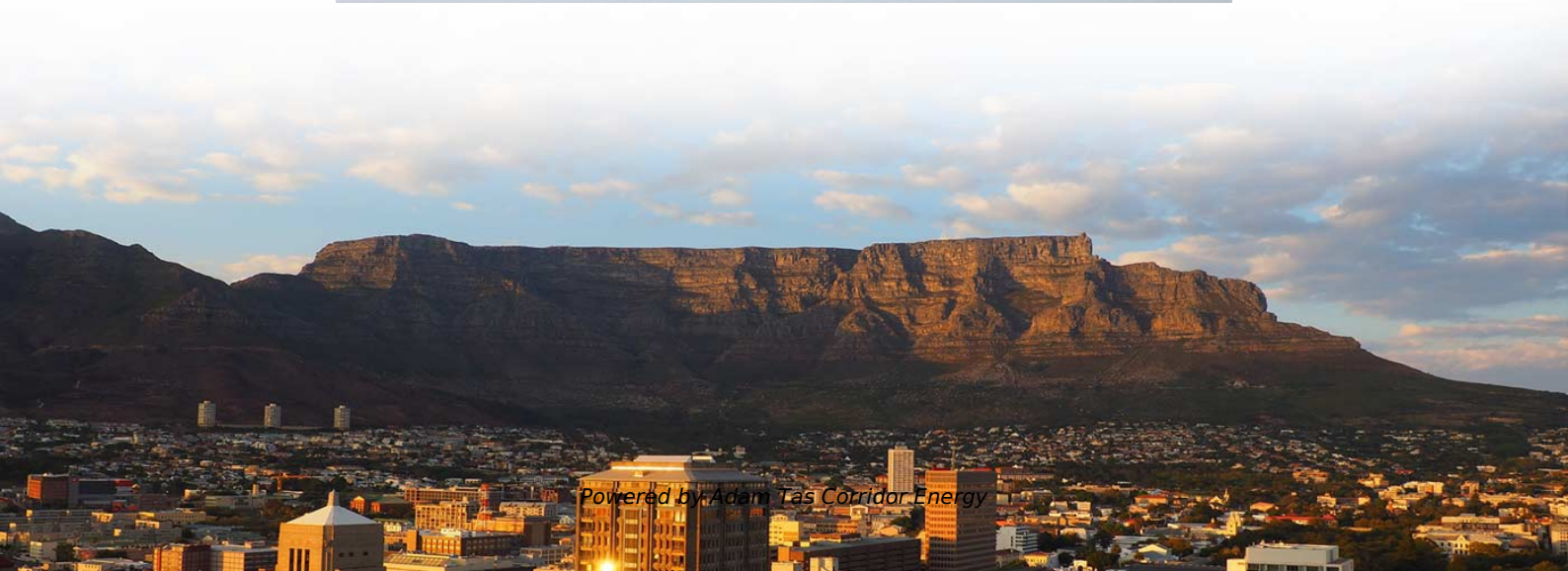




Adam Tas Corridor Energy

Fiberglass fireproof cable trays are customizable



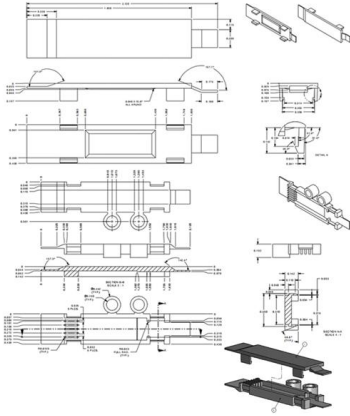


Overview

Fiberglass cable trays can be flexibly customized according to cable management requirements, are suitable for complex industrial systems and simple infrastructure projects, and have a high degree of adaptability. Its design supports cables and equipment, helping to ensure they do not collapse in the event of a fire. Creative Enduro's stringent quality standards and composites expertise produce the leading FRP cable ladder tray systems for corrosive and demanding conditions for offshore platforms, chemical plants, oil and metal refineries, water treatment plants and more. These characteristics reduce shock hazard and make our FRP cable tray transparent to radio waves, radar and. They are manufactured using a molding process, with core materials including glass.



Fiberglass fireproof cable trays are customizable



Reliable Solutions for Efficient saving energy saving cable tray

Discover high-quality saving energy saving cable tray designed for efficient cable management, offering durability and easy installation. Ideal for enhancing organizational systems in commercial settings.

FIBERGLASS CABLE LADDER TRAY

Enduro's fiberglass cable ladder tray is lightweight but tough enough to withstand the toughest industrial conditions.



Fireproof Cable Tray, Fireproof Cable Tray direct from Langfang

Galvanized Fireproof Cable Tray Heavy Duty Grade A Tray With Customizable And Height
Product Description: The Fireproof Cable Tray is highly customizable in terms of height, ensuring that it fits

Cable Tray Covering & Fire Protection

Build fire-rated enclosures around tray runs, transitions, and penetrations to block flame and



smoke movement. Integrate coverings with existing fireproofing and firestopping systems for full compliance



Fiberglass (FRP) Cable Tray for Extreme Conditions

Enduro cable tray and cable ladder sets the industry standard for high-quality fiberglass cable tray. Our FRP cable tray is extremely durable.



Fiberglass Cable Tray

MP Husky Fiberglass Cable Tray is available in both polyester and vinylester resin systems. They are manufactured to meet ASTM E-84, Class 1 Flame Rating and



Custom Size FRP Cable Tray Fireproof for Construction Projects

Committed to reliability and customer satisfaction, we ensure every solution combines durability, value, and responsiveness--making us your trusted partner for all cable tray needs.





Fiberglass Cable Tray: Durable And Reliable Solution

The Fiberglass Cable Trays, offer significant long-term savings due to their durability and low maintenance requirements. They are resistant to corrosion and



Fiberglass Cable Tray: Durable And Reliable Solution

Fiberglass cable trays can be flexibly customized according to cable management requirements, are suitable for complex industrial systems and simple

Flame Retardant Type Fiberglass Cable Tray Fireproof Trough Box

California Proposition 65 Consumer WarningView more Products Description FRG / Fiberglass cable trays Fiberglass cable trays, also known as fiber-reinforced plastic cable trays, are composite cable



Fireproof FRP Cable Tray: Durable & Safe Solution

Looking for reliable fireproof FRP cable tray? Discover top-rated, corrosion-resistant options with customization and verified suppliers. Click to explore high-performance solutions for



Fire-Resistant Cable Trays in High-Risk Environments

Explore the importance of fire-resistant cable trays in high-risk environments. Learn about the best materials and practices to



Fire Rated Cable Tray, Heavy-Duty Cable Tray Manufacturer

Fire Rated Cable Trays that are crafted from premium materials like stainless steel, galvanized steel, tempered glass, and fire-resistant polyester fiberglass. Each tray is coated with a specialized fire

Factory Direct Custom Fireproof Ladder Type Cable

Fireproof, moisture-proof and corrosion-resistant: The ladder cable tray has excellent fireproof, moisture-proof and corrosion-resistant properties, providing all-round





Fireproof Cable Tray Enclosures: Keep Cabling Systems

Sinisi Solutions works with major utilities and clients to design cable enclosures that protect critical cabling and cable tray setups from heat and fire, and blasts. Sinisi

FIBERGLASS CABLE LADDER TRAY

Enduro fiberglass cable ladder tray is designed specifically to endure the harshest environments and increase operational safety. Our products undergo world-class,

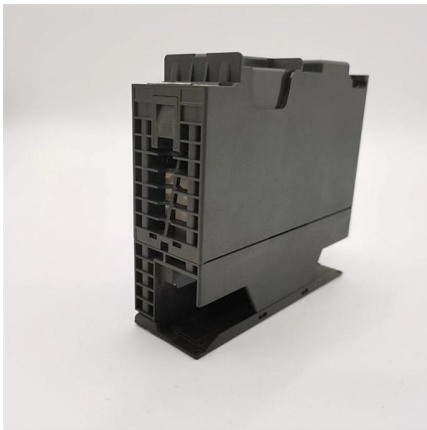


Fiberglass Ladder Cable Tray

Discover fiberglass ladder cable trays with anti-corrosion, fireproof features and CE certification. Ideal for industrial cable management systems.

Custom Size FRP Cable Tray Fireproof for Construction Projects

Hongfeng Cable Tray Manufacturer Our diverse range of cable trays can be fully customized to meet specific requirements. Committed to reliability and customer satisfaction, we ensure every solution



Fiberglass Cable Trays, FRP Cable Tray, FRP Cable

FRP Cable Tray are the best solution when putting in place an ideal cable management system, and you should consider using fiberglass cable trays over

Fiberglass Cable Trays , Fiberglass Grating , Uniflex

Fiberglass Cable Trays Fiberglass cable trays and cable tray systems have been tested and proven in the harsh environments of the offshore oil and gas industry.



Innovative Fiberglass Cable Tray , Fireproof FRP Cable

High-quality FRP fiberglass cable tray with fire resistance, stainless steel shielding, and molded construction for durable cable support.



Fiberglass Cable Tray

Our Fiberglass Cable Tray gives you the load capacity of steel, plus the inherent characteristics afforded by Pultrusion Technology: non-conductive, non-magnetic,



Hdman Customizable Fireproof Industrial Electrical Cable

HDmann FRP Cable Trays are made of corrosion-resistant fibre-reinforced plastic, and are aimed for electrical and instrumentation installations. The design delivers weight reductions while maintaining

Top Fiberglass Cable Trays Manufacturer and Suppliers

Choose Monterra International LLP for high-quality Fiberglass Cable Trays made to handle harsh environments with ease. Our FRP cable tray solutions offer strong



Fireproof Cable Trays Acceptance: Standards for Safety

Ensure safety and durability with this comprehensive guide to fireproof cable trays acceptance. Learn coating processes, inspection standards, and



Contact Us

For datasheets, pricing, or custom telecom energy solutions, please visit:
<https://koskolong.co.za>