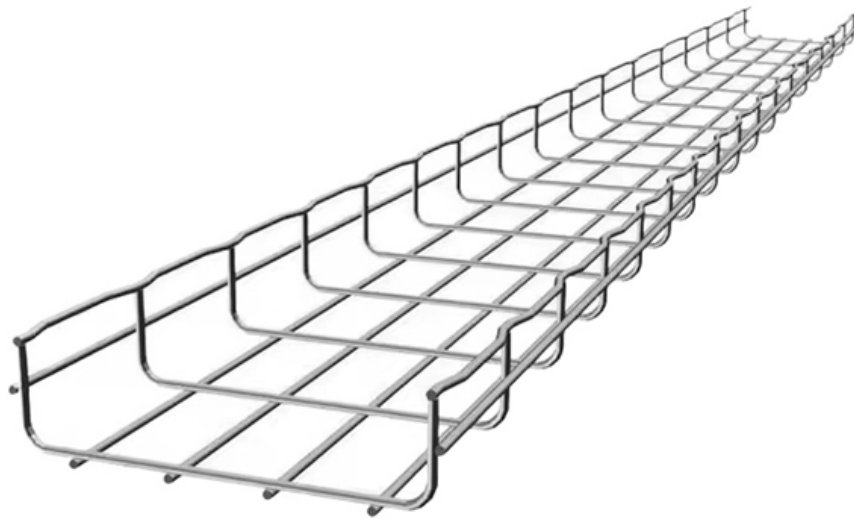




Adam Tas Corridor Energy

Find the location of the electrical distribution box using CAD





Find the location of the electrical distribution box using CAD

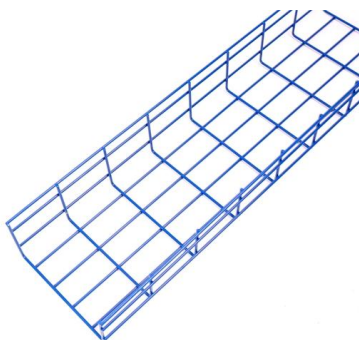


Wisc-Online Learning Objects , WisTech Open

Discover a rich library of hundreds of expertly designed learning objects through Wisc-Online. Covering numerous disciplines and career clusters, each resource

The Essential Guide to Understanding Electrical

5. Consider the layout and physical arrangement: Electrical distribution system diagrams may also include the physical layout of the electrical system, showing



How to Draw Electrical Distribution Board Design in AutoCAD Easy

How to Draw Electrical Distribution Board Design in AutoCAD Easy & Simple Tutorial
#LearningForever Learn New Skills 457 subscribers Subscribe

BIM objects

Download and search for AutoCAD electrical - distribution. Browse through BIMObject's curated library of manufacturer-specific products to



research and select which AutoCAD electrical - distribution to use



Electrical symbols CAD Blocks DWG Free Download

Free, 100% Accurate CAD Drawings of Electrical symbols, Installations symbols. Browse thousands of CAD Blocks, ready for download.

Electrical distribution board in AutoCAD , CAD (529.9

Download CAD block in DWG. Development of a metallic electrical distribution board. contains three-phase industrial plugs. includes a view. (529.9 KB)



Distribution Box Floor Details in DWG (484.45 KB)

Download free distribution box floor details in DWG or CAD block format. Distribution box floor features.



Understanding Electrical Floor Plans

Through an electrical plan, you can showcase the position of the used devices in the project, along with how they fit into the electrical structure. It

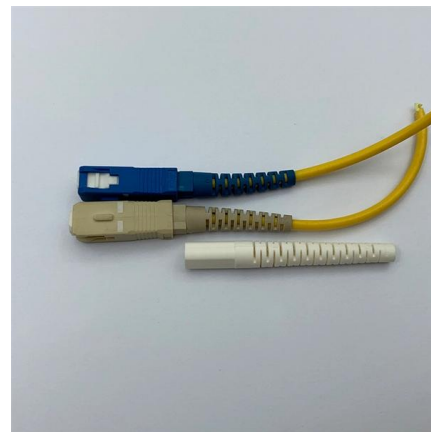


BIM objects

AutoCAD Electrical - Distribution Download and search for electrical - distribution. Browse through BIMObject's curated library of manufacturer-specific products to research and select which electrical -

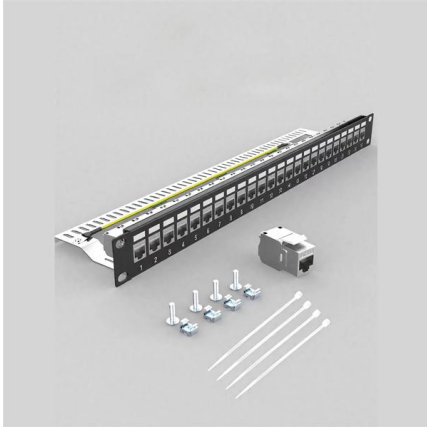
About the Location Box

A location box is drawn around devices to designate that they are physically in a different location/installation than the other devices in the drawing. The box is a



Main distribution electrical panel in AutoCAD , CAD

Download CAD block in DWG. Main distribution panel 800 amp panel with distribution breakers automatic transfer panel base (111.81 KB)



M12 distribution boxes methods

Does anyone have examples of how they are drawing M12 distribution boxes for field attachables and IO? For example, I am using an Allen

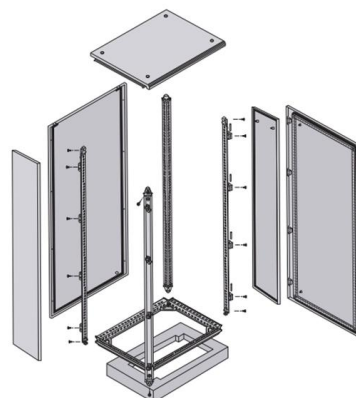


Electrical systems CAD Blocks DWG Free Download

Free, 100% Accurate CAD Drawings of Electrical systems, Installations. Browse thousands of CAD Blocks, ready for download.

How to Draw Electrical Plan Using AutoCAD? - CanadaCAD.ca

Understanding Electrical Plans Creating an electrical plan is an essential aspect of any construction or renovation project. An electrical plan outlines the electrical system design, including the layout of





Electrical Distribution CAD files , Schneider Electric

Now you have access to a huge range of Schneider Electric CAD files for your projects, without having to call Customer Support and request them. It's

How to draw an electrical plan? , Rayon

2. How to draw an electrical plan? Creating an effective electrical plan involves understanding the room's purpose, layout, and the specific needs of its occupants. Here's a guide on



Distribution box in AutoCAD , Download CAD free

Download CAD block in DWG. Development of a distribution box for a meter. (515.22 KB)

Electrical Layout in AutoCAD 2022 Advance , how to learn electrical

In this video, we are going to discuss how to draft the layout of an electrical plan of any house, what will be the key steps for drawing the electrical plan



electrical cad design, electrical cad drawings, electrical layout cad

Download electrical CAD blocks, including wiring layouts and electrical CAD drawings, as free DWG files and AutoCAD electrical files.

How to draw Electrical Layout in AutoCAD , AutoCAD Tutorial for

In this video, we will show you how to prepare a complete electrical PVC conduit layout plan for a G+2 residential building using AutoCAD. From understanding the working of the main electrical



A Step-by-Step Guide to Wiring an Electrical Panel Box

A Step-by-Step Guide to Wiring an Electrical Panel Box An electrical panel box, also known as a breaker box or a distribution board, is a crucial component of any





MCB Box

AutoCAD DWG format drawing of an MCB Box, plan, front, and side elevation 2D view for free download, DWG block for a Miniature Circuit Breaker,



Main Distribution Board CAD Block Free AutoCAD DWG

Download Main Distribution Board CAD blocks in DWG. Free AutoCAD drawings for electrical schematics, wiring layouts, and building design.

AutoCAD Electrical 2022 Help , Page Not Found , Autodesk

Well this is embarrassing. Looks like we lost your page. Here's what you can do to find it: Check your URL for typos Use the Search Bar in the upper right corner



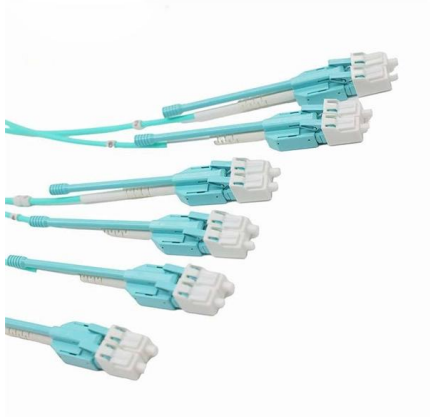
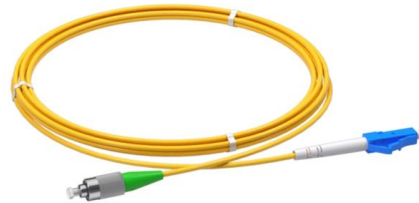
Free CAD Blocks - Electrical Symbols

Free CAD Blocks - Electrical Symbols Free CAD Blocks for Electrical Symbols Save time on your architectural and interior drawings with our collection of free CAD



Free Electrical Systems Installation AutoCAD Details dwg

The following dwg file includes all electrical systems details that is needed for the design of cable power socket distribution, lighting fixtures



Electrical CAD Symbols: Free Downloads, Standards,

Electrical CAD symbols are simplified graphic representations used in computer-aided design (CAD) software to illustrate components of an electrical

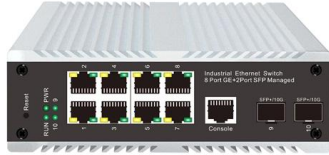
The Complete Guide to Distribution Box: Installation, Types & More

What's the difference between a distribution box and a sub-panel? A distribution box typically refers to the main electrical panel that receives power from the utility service. A sub-panel is





Power Distribution Boxes: 3D models



Discover all CAD files of the "Power Distribution Boxes" category from Supplier-Certified Catalogs SOLIDWORKS, Inventor, Creo, CATIA, Solid Edge, autoCAD, Revit and many more CAD software

Contact Us

For datasheets, pricing, or custom telecom energy solutions, please visit:
<https://koskolong.co.za>