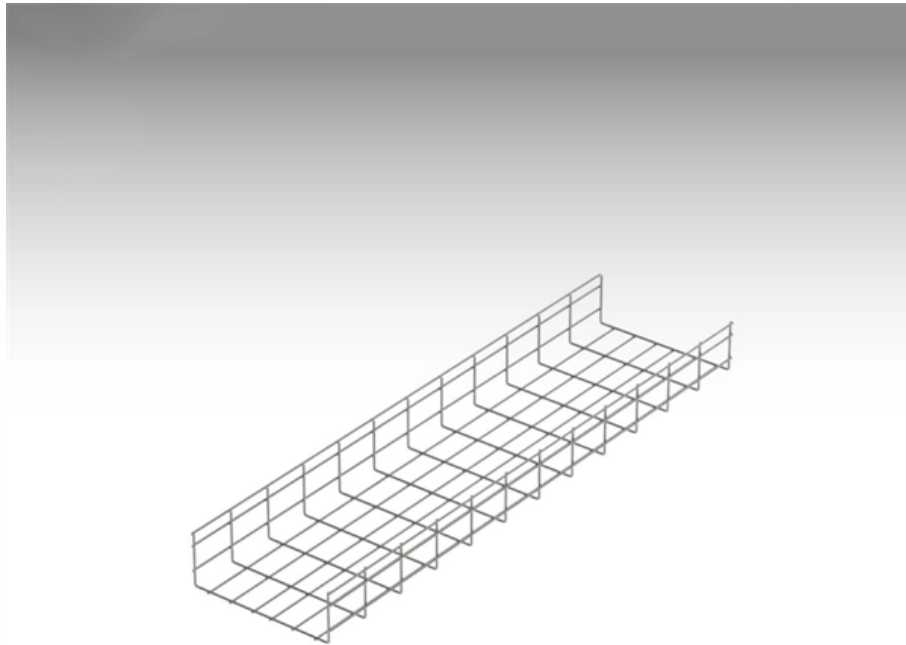




Adam Tas Corridor Energy

Fireproof cable tray lining with fireproof board



Grid Cable for
marine and offshore
applications





Overview

Fire resistant cable trays are cable trays with fire-resistant boards as the core protective layer. These systems prevent fire and smoke from spreading through open cable pathways, maintaining circuit integrity and code. Our tested solutions for cable fire protection can delay the spread of fire in order to minimise the damage sustained.



Fireproof cable tray lining with fireproof board



Fireproof Cable Trays Acceptance: Standards for Safety

Ensure safety and durability with this comprehensive guide to fireproof cable trays acceptance. Learn coating processes, inspection standards, and

Cable Tray Fireproof Testing: What You Need To Know

Learn about cable tray fireproof testing. We explain the process, including mechanical and fire tests. Find out why it's crucial for safety.



Fire protection for cables & cable trays , Flamro

With our fire protection for cable systems, we ensure that your lines meet the highest safety standards and are reliably protected in the event of an emergency.

FyreWrap® Cable Insulation

Unifrax's FyreWrap® Cable Insulation is a thin, flexible, insula-tion wrap designed to provide a fire-protective enclosure around cable trays and



conduit. The FyreWrap system ensures electrical circuit



Electrical Cable Tray Fire Protection

Maintenance Electrical Cable Tray Fire Protection
One of the most significant fire protection requirements for processing facilities and offshore



Advanced Fire Resistant Cable Tray , Maximum Heat

Fire resistant cable trays are cable trays with fire-resistant boards as the core protective layer. They primarily utilize the heat insulation and flame-retardant



Fireproof Cable Tray Enclosures: Keep Cabling Systems

Sinisi Solutions works with major utilities and clients to design cable enclosures that protect critical cabling and cable tray setups from heat and fire, and blasts. Sinisi





Firestopping Requirements for Cable Trays and

Technical guide to firestopping cable tray and slab penetrations in electrical shafts; specifies materials, packing limits, waterstop heights and



Fire-Resistant Cable Trays in High-Risk Environments

Explore the importance of fire-resistant cable trays in high-risk environments. Learn about the best materials and practices to ensure maximum

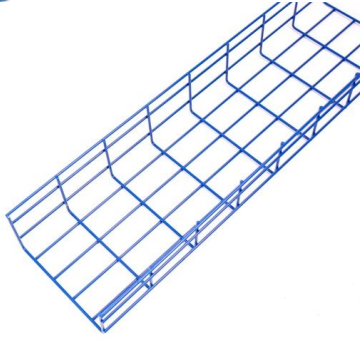
Conduit And Cable Tray Protection , SPI

CONDUIT AND CABLE TRAY PROTECTION We provide UL listed and FM Approved flexible wraps, rigid board and fire retardant coatings from industry



Cable Tray Covering & Fire Protection

FireResistant Solutions provides cable tray covering and fire-protection systems designed to safeguard electrical and data infrastructure in commercial and multifamily buildings. These systems prevent fire



Fireproof Cable Trays Acceptance: Standards for Safety

The proper coating and acceptance of fireproof cable trays are essential for long-term performance and safety. This guide explains the critical



Trunking and Cable Tray Protection

Similarly, cable trays are sometimes equipped with fireproof coatings or constructed from fire-resistant materials to ensure they do not contribute to the spread of fire.

Fire Protection of Cable Trays , Ceasefire PFP

For example, a cable tray may contain electrical cables powering essential services that are still required to operate under extreme fire conditions.





Fireproof Cable Tray Enclosures: Keep Cabling Systems

We design custom cable enclosures that protect against fire & blasts. Cost-effective protection with quick installation and NEC & NFPA compliant solutions.

UNIFRAX Fyrewrap fireproof Coating for Cables, Cable

"Fyrewrap Cable Insulation®" is a thin and flexible insulation material designed to provide fire protection for cable trays and circuits. Its purpose is to ensure the

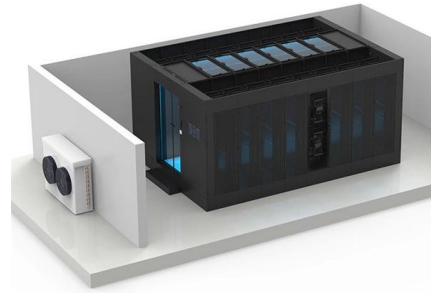


Experimental Investigation of Flame Spread

The main structure of the experimental setup was a covered cable tray, which was designed based on the actual covered cable trays used in engineering

Why Choose Fireproof Cable Trays for Safety?

Fireproof cable trays can be employed in a wide range of applications, including commercial buildings, hospitals, data centers, and even residential setups where fire safety is a



Instrument FireMaster® fire protection cable tray

The FireMaster® cable tray wrap system provides 30 minutes hydrocarbon fire protection to cable trays carrying control cable wiring. The FireMaster® cable tray wrap consists of FireMaster® Marine Plus



Cable Tray Covering & Fire Protection

FireResistant Solutions provides cable tray covering and fire-protection systems designed to safeguard electrical and data infrastructure in commercial and multifamily buildings.



Fire resistant cable tray , Hermsolutions

Cable trays are intended for the construction of fire-resistant cable paths with surface cable laying. Cable paths are constructed as standard or lightweight cable paths.





Fire stop section of the cable tray and cable management NEMA

The following charts give the number of 3M pillows needed to completely firestop an opening that cable tray passes through.* Two (2) sticks of moldable putty (part number FSP-MPS) are also needed for



Technical Guidelines for Cable Tray Installation and

Periodically inspect outdoor trays for rust, moisture accumulation, or UV damage reproof trays require scheduled inspection for coating integrity and

News

· Thorough Filling with Fireproof Mortar: Fill the gaps between the cables, trays, fire blocking materials, and water stop platform with fireproof mortar. The sealing should be uniform and tight, creating a



Contact Us

For datasheets, pricing, or custom telecom energy solutions, please visit:
<https://koskolong.co.za>