



Adam Tas Corridor Energy

# Ftth Optical Cable Line Engineering Diagram





## Ftth Optical Cable Line Engineering Diagram

---

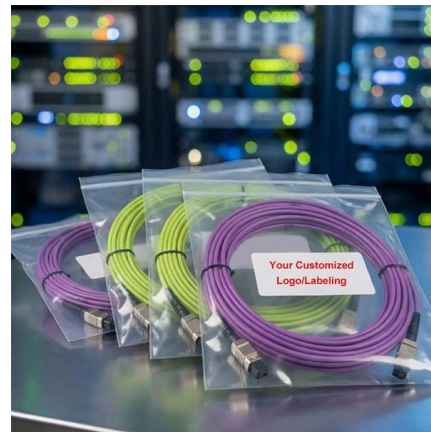
### FTTH

FTTH is the ultimate fiber access solution where each subscriber is connected to an optical fiber. The deployment options discussed in this tutorial are based on a



### AutoCAD Fiber Optic Designs & Drawings

AutoCAD Fiber Optic Designs & Drawings Before proceeding forward in explaining the affinity between AutoCAD and Fiber Optic, it would be prudent to



### Design Guide

Fiber optic cables, especially backbone cables, may contain many fibers that connect a number of different links which may not even be going to the same place. The fiber optic cable plant, therefore,

### The Four Key Components of Ftth Network Design:

From network maps to splicing diagrams. Explore the four essential design components that lead



to lower costs and stronger FTTH networks

### Product Catalog



## OPTICAL FIBRE CABLE APPLICATIONS GUIDELINES

However, no single optical cable design is universally superior in all applications. In general, optical fibre cables installed in an outdoor environment are exposed to more severe mechanical and

### The FOA Reference For Fiber Optics

We recommend you review the FOA Guide sections on fiber optic installation covering basic fiber installation and OSP fiber installation. Designing a network



## FTTH: The Ultimate Guide to Fiber Optic Network

Fiber to the Home (FTTH) is a key technology in delivering high-speed internet directly to homes and businesses. This tutorial explores the essential aspects of



## Design and Implementation of a Fiber to the Home FTTH Access

The Optical Line Terminal (OLT) is the main element of the network and it is usually placed in the Local Exchange and it's the engine that drives FTTH system .



## Understanding LCP and ODF in FTTH Design , PDF

Diagrams and descriptions are included to illustrate how signals are delivered from the OLT through the optical distribution network (ODN) to

## FTTH.Build

If you're looking to do a really small network for maybe 20 or so houses, see this much simplified design. This diagram shows all the major components of a FTTH



## FTTH network design , Download Scientific Diagram

Fiber to the Home (FTTH) is an access network that makes use of fibre optic cables, which can be used to distribute transmission medium to houses of subscribers.



### Product Photography



## Design and Simulation of Fiber to the Home (FTTH) Network

FTTH is the delivery of a communication services by sending pulses of light through an optical fiber link from the Internet service provider to a home, thereby replacing existing copper infrastructure such as



## Design and Simulation of Fiber to the Home (FTTH) Network

We discuss the line coding techniques in optical digital communication system. We simulate the FTTH and compare between line codes to choose the suitable line code for the Jordanian FTTH.

## FTTH Network Structure , PDF

The key devices for shared fiber core FTTH are the Optical Line Termination (OLT) located at the service provider, the Optical Network Unit (ONU) located at each





## FTTH Planning and Design 101: Tools, Software, and

FTTH planning refers to the process of designing and preparing fiber optic networks that deliver high-speed internet directly to end-users' locations.

## Understanding FTTH Architecture

ONT - Optical Line Terminal, located at the customer/subscribers location, converts the optical media being sent by the OLT. Splitter - A passive device that splits the light source in separate paths.



## FTTH Handbook - edition 9 , FTTH Council

Discover the updated FTTH Handbook, Edition 9 - your complete guide to fibre network planning, design, build, and operation, now with new insights on aerial

## FTTH Basics and Network Design.pdf

It also discusses FTTH network architectures including point-to-point, GPON, and GE-PON designs as well as installation techniques for outside plant fiber cable

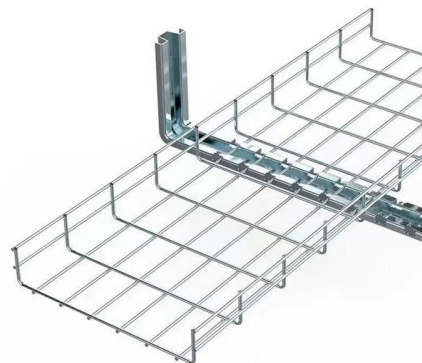


### Fiber Optic Cable Size Chart: Complete Guide

Fiber optic cable size chart with complete guide to core, cladding, and jacket dimensions, types, and specifications for networking and installation use.

### FTTH: The Ultimate Guide to Fiber Optic Network

Understanding the intricacies of FTTH, including network architecture, configuration, and the differences between AON, PON, EPON, and GPON, is crucial for anyone



### GPON FTTH access network architecture , Download

Download scientific diagram , GPON FTTH access network architecture from publication: Design and implementation of a Fiber to the Home FTTH access



## Understanding FTTH: Key Components

In this article, we delve into the fundamentals of FTTH (Fiber to the Home) networks, highlighting some of the critical components . FTTH networks, which bring high

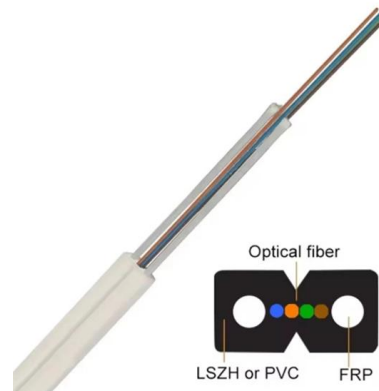


## Fiber to the home: components and general architecture

Fiber Distribution Terminal (FDT) - The terminal connecting the feeder cables and distribution cables  
Fiber Access Terminals (FAT) - An FAT enables the

## Ftth development manual part1 (1) , PDF

It describes the different components of an outside plant (OSP) including optical fiber cables, closures, and fiber distribution hubs. It also covers inside plant (ISP)



## Block diagram of FTTH . , Download Scientific Diagram

Download scientific diagram , Block diagram of FTTH . from publication: Next generation optical wireless communication: A comprehensive review , Next



## Network Diagram for Fiber Optics

A fiber optics network diagram illustrates how high-speed data travels from an internet service provider to end users. These diagrams help engineers plan

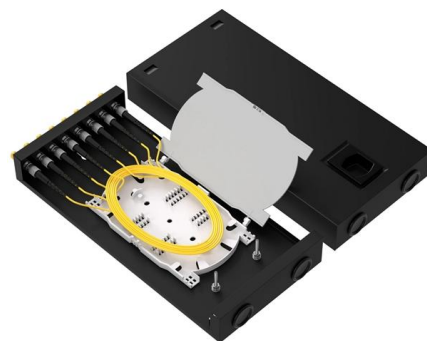


## FTTH.Build

This diagram shows all the major components of a FTTH network. Each blue underlined phrase is a link to the appropriate description page for that element. It

## FTTH Project Management

Fiber Optic Project Management (For Managers)  
The FOA, as part of the fiber optic industry and especially in our role as educators, most of our focus has been





2. Improved design is convenient for expansion.

The design of two inlets saves space and allows for rear line entry.

## Fiber Network Planning and Design (FTTH/FTTP /FTTx )

Fiber optic network design involves the planning, routing, and drafting of Fiber cable layouts to support high-speed data transmission. It includes detailed mapping of

## Contact Us

---

For datasheets, pricing, or custom telecom energy solutions, please visit:  
<https://koskolong.co.za>