



Adam Tas Corridor Energy

H3C switch optical port not emitting light





Overview

Solution To resolve the issue: Execute the display power command to check whether the power module is in faulty or absent state. For configuration recovery, regularly back up the configuration to a remote server. The following uses the Moduletek QSFP-40G-LR4 module connected to an H3C S6820 switch as an example to introduce how to read information of the connected optical module on an H3C switch. How to use WA4320X optical port and electrical port at the same time WA4320X supports poe power supply, but the outdoor AP often encounters the problem that the installation location is far from the access switch, so it will use the electrical port poe power supply and the optical port to transmit.



H3C switch optical port not emitting light



H3C S6890 SERIES TROUBLESHOOTING MANUAL Pdf Download

View and Download H3C S6890 Series troubleshooting manual online. S6890 Series switch pdf manual download.

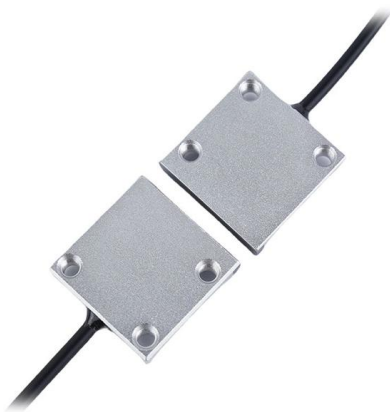
Support

H3C S3100-52P Ethernet Switch Command Manual-Release 1500 (V1.01) Home Support Switches H3C S3100 Switch Series Reference Guides Command References H3C S3100-52P



H3C S6800 SERIES SWITCH TROUBLESHOOTING MANUAL

View and Download H3C S6800 Series troubleshooting manual online. S6800 Series switch pdf manual download.

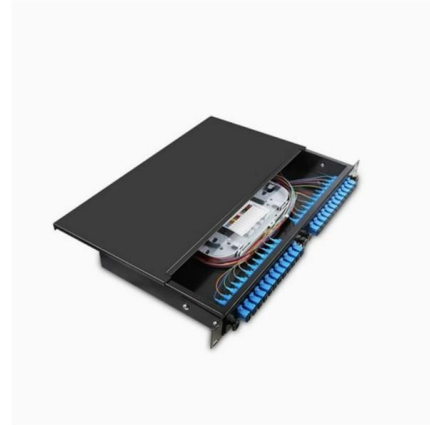


Support

Although the S9500 series have undergone a comprehensive and strict factory test before delivery, there might be some fault occurring



due to improper installation and initial configuration. This chapter



Support

The MPUs, interface modules, and power modules available for the switch use multiple LEDs to indicate their operating status. The LED type and quantity vary by module model. Table 3-1 lists the LEDs on

S3100 Series Switches Troubleshooting Guide , FS

First, confirm if there is a configuration issue, such as the port being in shutdown state or the photoelectric multiplexing port not being switched to the correct state.



H3C Fixed-Port Campus Switches Troubleshooting Guide-6W104

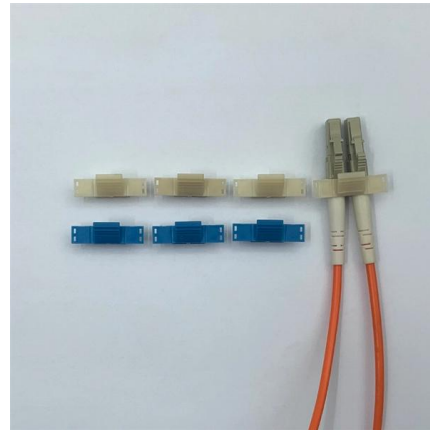
If the transceiver module is not operating correctly, replace it with a H3C transceiver module that matches the fiber port. For more information about transceiver modules and cables, see





Support

· Optical Distribution Network (ODN): Composed of fiber optics and one to several POS, among other passive optical components, it provides a light signal transmission channel between



H3C S6805 SERIES TROUBLESHOOTING MANUAL

If the transceiver module is not operating correctly, replace it with an H3C transceiver module that matches the fiber port. For more information about transceiver

H3C S6890 Switch Series Troubleshooting Guide-6W100

If the transceiver module is not operating correctly, replace it with a new H3C transceiver module that matches the fiber port. For more information about transceiver modules, see the installation guide for



H3C

Hier sollte eine Beschreibung angezeigt werden, diese Seite lässt dies jedoch nicht zu.



Support

Use the LED indications to access the service module or switching fabric module status and resolve the issues accordingly. For the LED descriptions, see "MPU LEDs."



H3C Wireless Products Troubleshooting Guide-6W101

Verify if the output power of a single port on the PoE switch meets the power requirements. Confirm if the total power of the APs connected to the PoE switch

Support

Disconnected optical fibers or transceiver modules might emit invisible laser light. Do not stare into beams or view directly with optical instruments when the switch is operating.





H3C S9820 SERIES TROUBLESHOOTING MANUAL Pdf Download

View and Download H3C S9820 Series troubleshooting manual online. S9820 Series switch pdf manual download.

Knowledge Base

The port status LEDs flashing yellow indicates the IRF member ID of the switch. For example, if the LEDs for ports 1 to 5 are steady green and the other LEDs are off, the IRF member ID

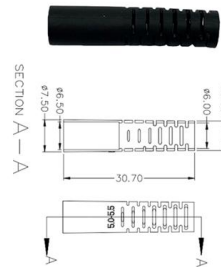


Optical Transceiver Manufacturer,H3C Switch

Use the special AM User-bind command to complete the binding between IP, MAC address and port. The command is as follows: am user-bind ip-address

H3C S6800 Switch Series Troubleshooting Guide

H3C S6800 Switch Series Troubleshooting Guide
Document version: 6W100-20171220



H3C All-Optical Network Technology White Paper-6W100

In contrast, the EPON-based POL solution leverages the EPON OLT's enhanced Ethernet forwarding and switching capabilities. iOptic network devices H3C provides an extensive array of iOptic Ethernet

How To Read Optical Module Information On H3C Switches

Optical modules are widely used in switches, network cards, routers, and other communication equipment. Reading optical module information during use helps understand its real-time operating



H3C ES4200 Gigabit Switch Series-H3C

H3C ES4200 series is the latest development of Gigabit speed managed Ethernet switch. Besides high-performance access, it also offers abundant security access policy control and enhanced network



H3C Fixed-Port Campus Switches Troubleshooting Guide-6W104

If the transceiver module is not operating correctly, replace it with a H3C transceiver module that matches the fiber port. For more information about transceiver modules and cables, see the



Support

Overview A transceiver module converts electrical data signals to laser light, which is then transmitted over an optical fiber. It can transmit optical signals over long distance with low signal loss. H3C

Knowledge Base

However, when the optical port is working at the same time, the electrical port of the AP is activated by default, causing the optical port to not be up. You can use the combo enable fiber command to



Support

NOTE This document provides generic technical information, some of which might not be applicable to your products. For features supported by a product, see the configuration guide for that product.



Support

01-Access Volume Home Support Switches H3C S7500E Switch Series Configure & Deploy Configuration Guides H3C S7500E Series Ethernet Switches Operation

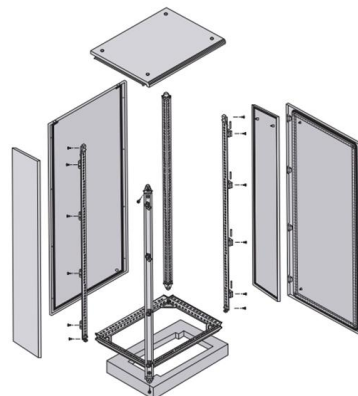


Support

- Log in to the device through a network port or management port instead of the console port, if possible. Network and management ports are faster than the console port.
- Do not execute commands while

Support

For more information about login methods, see H3C S10500X Switch Series Fundamentals Configuration Guide. Connecting the switch to the network Before you connect the switch to the





Contact Us

For datasheets, pricing, or custom telecom energy solutions, please visit:
<https://koskolong.co.za>