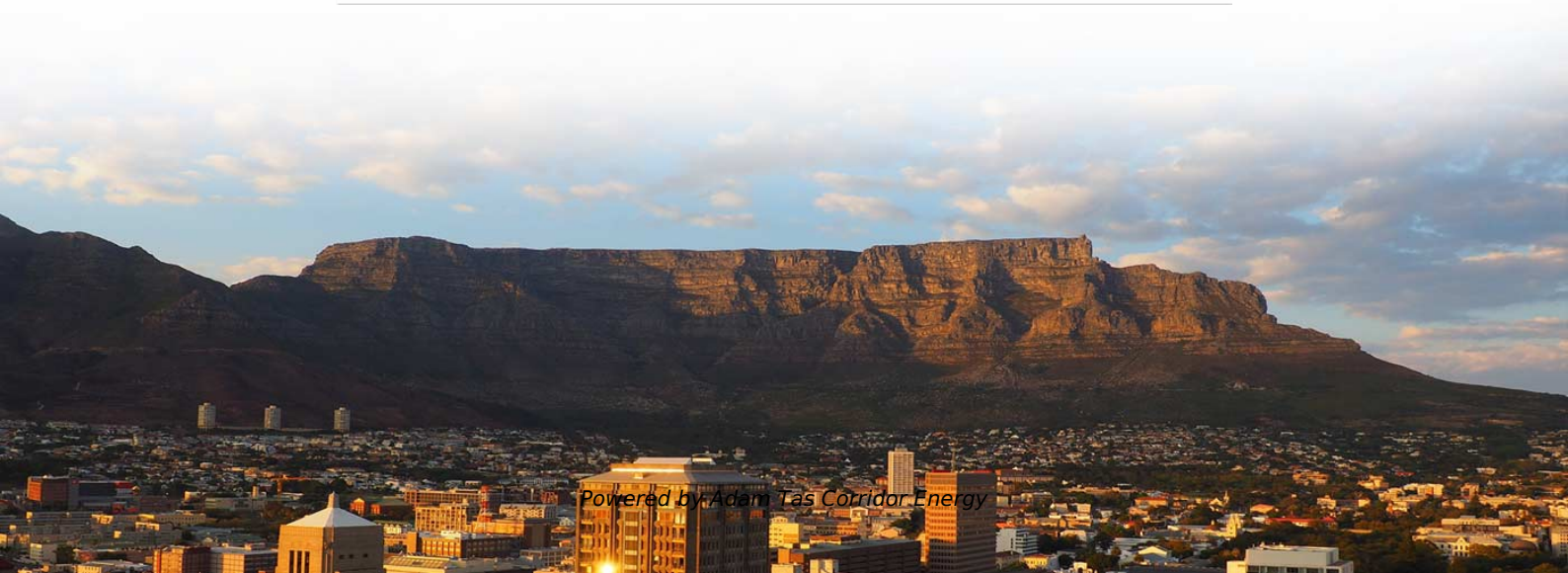




Adam Tas Corridor Energy

High-speed fiber optic sensor analyzer





High-speed fiber optic sensor analyzer

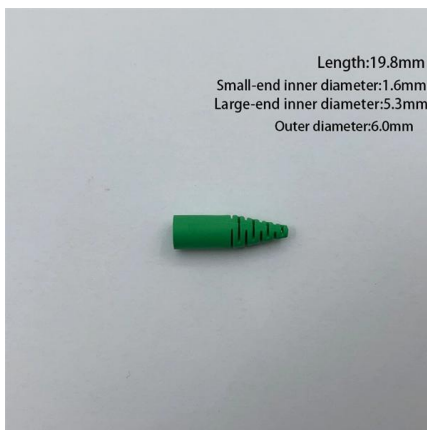


FS75HSA

Unlock precise efficiency insights with HBK's Power Analyzer--engineered for high-speed (up to 20 MS/s) measurement of inverter-driven electric machines. Scalable from small setups to systems with

Fiber Optic Sensing and Non-Destructing Testing Products

Unlike conventional strain gauges that only measure strain at a discrete point, Luna's high definition fiber optic strain gauges provide continuous, high-resolution (less than 1 mm) measurements of strain



Enhancing fiber security using a simple state of polarization analyzer

Real-time data protection system based on optical fiber manipulation detection. The paper focuses on the security of fiber-optic cable infrastructures by detecting vibrations using an optical

Integrated fiber-optic Fabry-Perot vibration/acoustic sensing system

The designed fiber-optic acoustic sensing system has the advantages of resistance to



electromagnetic interference, intrinsic safety, remote detection and small size. A fiber-optic



Optical Spectrum Analyzers (OSA) , VIAVI Solutions Inc.

VIAVI has developed an industry-leading portfolio of optical spectrum analysis test solutions for lab, field, and manufacturing applications.



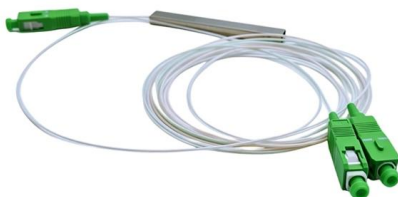
Shahed-136: Cost, Production Rate, RCS

Cost multiplication: Defenders expend high-value interceptors on \$10,000 decoys, worsening the already unfavorable cost-exchange ratio. EW



High spectral range, high speed fiber optic spectrometer

Fiber optic sensors have been developed recently. Among them, some encompass high speed and the others broadband spectral response. Newly, high-speed fiber-optic spectrometer





High sensitivity fiber optic acceleration sensor based on Fabry-Perot

A high sensitivity fiber optic acceleration sensor based on Fabry-Perot interferometer is proposed and experimentally demonstrated. The proposed sensor is composed of a sensor pedestal,



Optical Fiber Sensors: High Resolution Fiber Optic Sensing

Sensuron's Optical Fiber Sensors enable engineers to collect and analyze material and structural data based on minute changes in tens of thousands of points of light. Measured in real

High Speed Type Fiber Optic Sensors

High speed type fiber optic sensors are at the forefront of this revolution, offering unparalleled speed, accuracy, and efficiency. These sensors leverage the power of light to transmit



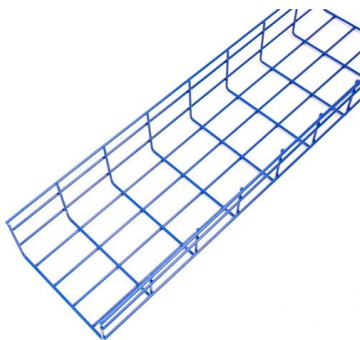
All-fiber high-speed image detection enabled by deep learning

Ultra-high-speed imaging serves as a foundation for modern science. While in biomedicine, optical-fiber-based endoscopy is often required for in vivo applications, the combination



High Speed Fiber Optic Sensor market size, share & industry analysis

Global High Speed Fiber Optic Sensor Market insights with latest market research report, size, industry share, key trends, growth drivers, regional analysis, key companies analysis, and

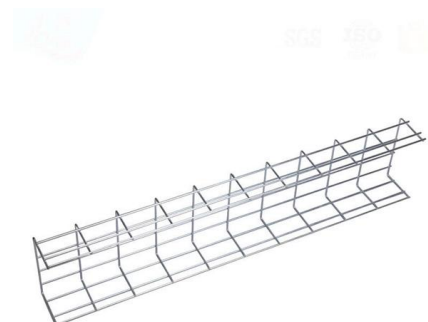


FBG Interrogation Analyzer

BaySpec's WaveCapture(TM) fiber Bragg grating interrogation analyzers (FBGA) are revolutionizing the fiber sensing world offering, for the first time, excellent

Proximion Datasheet

WISTSense Ultra is a high-resolution spectrometer, ideally suited for most FBG sensing applications, offering a unique combination of high resolution, high speed, self calibration, plug and play operation





Optical Fiber Sensors for High-Temperature Monitoring:

High-temperature measurements above 1000 °C are critical in harsh environments such as aerospace, metallurgy, fossil fuel, and power production. Fiber-optic high

A novel, high-resolution, high-speed fiber-optic

We demonstrate a high-resolution temperature sensor based on optical heterodyne spectroscopy technology by virtue of the narrow linewidth



High-Performance Fiber Optic Amplifiers for Industrial Sensing

Tri-Tronics amplifiers are engineered to optimize performance in automation. With advanced features like adjustable sensitivity, high-speed response times, and compatibility with a wide range of glass



Measurement and Testing Equipment

Featuring precise timing and a low-jitter mode, QCA series high-speed



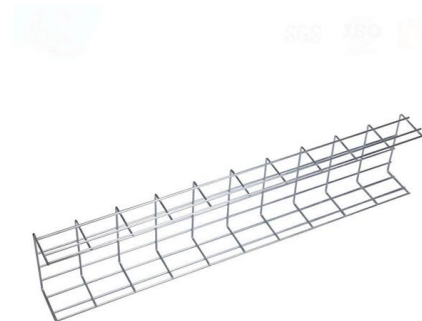
Optical Fiber Sensors for High-Temperature Monitoring:

High-temperature measurements above 1000 °C are critical in harsh environments such as aerospace, metallurgy, fossil fuel, and power production.



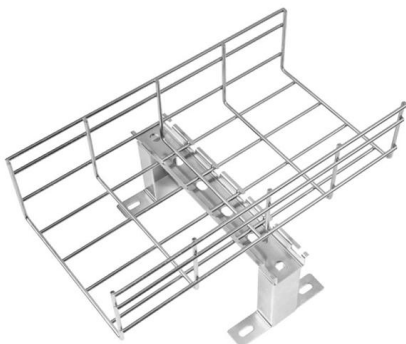
Measurement and Testing Equipment

Featuring precise timing and a low-jitter mode, QCA series high-speed communication analyzers are cost-efficient and highly scalable. They are ideally



High-speed fiber-optic polarization analyzer: measurements of the

A high-speed polarization analyzer was developed to measure rapidly fluctuating polarization states of lightwaves. The high-speed of the measurements was required in order to more





(PDF) High-Precision Multipass Fiber-Optic Photoacoustic Gas Analyzer

PDF , On Feb 1, 2024, Yufu Xu and others published High-Precision Multipass Fiber-Optic Photoacoustic Gas Analyzer Based on 2f/1f Wavelength Modulation Spectroscopy , Find, read and



Fiber Optic Sensors and Amplifiers

Omron's high-performance fiber optic sensors and amplifiers come in a wide variety of configurations to meet your specialized requirements.



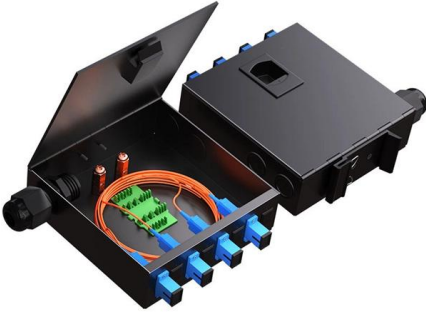
High-speed Fiber Optic Sensors

Our high-speed fiber optic sensors are a general purpose, DIN-rail mountable solution ideal for high-speed or simplistic applications.



FIBER-OPTIC SENSORS

High-performance digital fiber amplifier The E3NX-FA amplifier is best choice for most challenging fiber applications in terms of long sensing distance, minute object detection or high speed processes.



Contact Us

For datasheets, pricing, or custom telecom energy solutions, please visit:
<https://koskolong.co.za>