



Adam Tas Corridor Energy

Home Fiber Optic Splitter Wiring Price





Home Fiber Optic Splitter Wiring Price

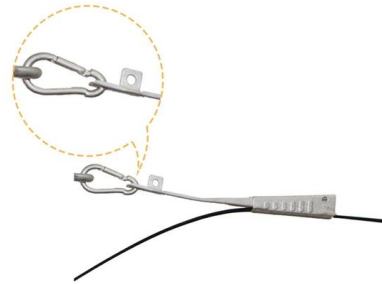


Fiber Optic Splitters ,

Fiber Optic Splitters are critical components that allow fiber optic signals to be divided into multiple outputs. At Fiber4u, we offer a variety of fiber splitter options suitable for your projects.

How Much Does Fiber Optic Cable Cost?

Whether you are looking to install fiber optics at home, in a commercial building, or across towns--you need to estimate and compare the overall price



Hanutech FTTH Fiber Distribution Box Loaded with 1:8 PLC Splitter

It is suitable for the protective connection of optical cables and distribution pigtails. It is also suitable for optical fiber terminal points in the optical fiber access network. It is suitable for multiple use

Fiber Optical Splitters , Optical Distribution Network

Fiber optic splitters offer a cost-effective, practical solution by dividing a single fiber line



into multiple outputs. This guide delivers hands-on advice to help readers

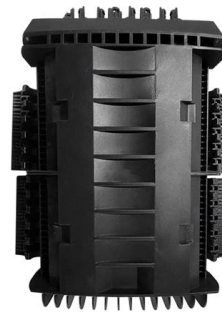


Shop Beam Splitters & Passive Optical Splitters

Explore our collection of optical cable splitters and PON splitters for sale. Optical beam splitters are used to split the fiber optic light evenly into several parts at

How to install a fiber optic splitter step-by-step?

Connect to Splitter: Connect the spliced fibers to the appropriate ports on the fiber optic splitter. Ensure that the fibers are securely fastened and that there is no tension on the connections.



PLC Splitter, Fiber Splitters, Always Ready for PON & FTTX

FS PLC Fiber Optic Splitters, Bare/Blockless/ABS/LGX Splitter/Rack Mount Types, support 1xN light distribution, with low IL and PDL for high-reliability transmission. Deploying compact FS PLC Splitters



Hanutech 1x16 SC/UPC Cassette Card Inserting PLC

Hanutech 1x16 insert type PLC Splitter. The interface type is SC/UPC, fast and practical. Applicable to home wiring, engineering projects, corporate companies,

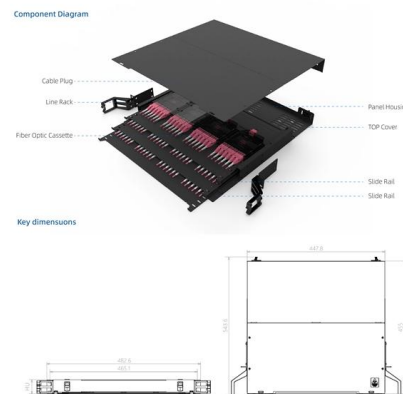


Hanutech 1:16 SC/APC Fiber Splitter Cassette Style, FTTH 1X16

Hanutech 1x16 insert type PLC Splitter. The interface type is SC/APC, fast and practical. Applicable to home wiring, engineering projects, corporate companies, fiber optic LAN.

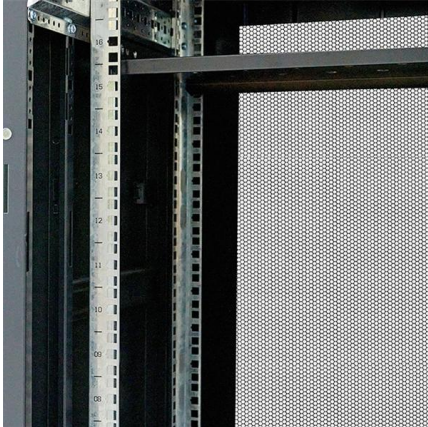
Hanutech 1x8 SC/APC Cassette Card Inserting PLC

Hanutech 1x8 insert type PLC Splitter. The interface type is SC/APC, fast and practical. Applicable to home wiring, engineering projects, corporate companies,



Fiber to the x

Fiber to the x (FTTX; also spelled "fibre") or fiber in the loop is a generic term for any broadband network architecture using optical fiber to provide all or part of the



Fiber Optical Splitters , Optical Distribution Network

High-quality PLC fiber optical splitters including Bare, Blockless, ABS, LGX, and Rack Mount types. For PON, FTTX, and EPON networks with low insertion loss



Fiber Optic Splitters , PLC & FBT Optical Splitters

Discover a wide range of reliable fiber optic splitters. Our PLC and FBT splitters offer low loss and various split ratios for FTTH, PON, and CATV networks.

HANUTECH 12 Core FTTH Fiber Distribution Box

HANUTECH 12 Core FTTH Fiber Distribution Box Loaded with 12 Core SC/PC Connector Pigtailes, Fiber Splitter Box, Suitable for Indoor or Outdoor Use :





Fiber Optic Cable Pricing Guide: Factors That Affect

This guide outlines the major factors that influence fiber optic cable costs and provides practical tips for estimating pricing in bulk or project-based

Fiber Optic Network Cost Guide: Price and Budget Ranges 2026

The main cost drivers are materials, installation time, and environmental factors that affect trenching, conduit, and terminations. This guide shows the cost landscape, with clear



1 pc SC/APC 1x2 PLC Fiber Optic Splitter, 1 to 2 SC APC

?Plug-and-Play Compatibility, Zero Maintenance?Pre-terminated with bend-insensitive G657A2 fiber for easy integration with major OLT/ONU brands. Passive design requires no power, reducing

GELRHONR PLC Fiber Splitter, SC UPC 1X8 PLC

About this item 1X8 SC/UPC Optical Fiber PLC Single Mode Splitter.Uniform power splitting with strong transmission stability itable for Home Wiring,engineering





How Much Do Fiber Optic Cables Cost? , HowMuchIsIt

Fiber optic cable overview Fiber optic cables will be made of strands of glass or plastic fibers are thin as a piece of paper. Surrounding this glass core will be a

Buy GINTOONYUN 1x8 SC/APC Cassette Card Inserting

1x8 insert type PLC Splitter.The interface type is SC/APC, fast and practical. Applicable to home wiring, engineering projects, corporate companies, fiber optic



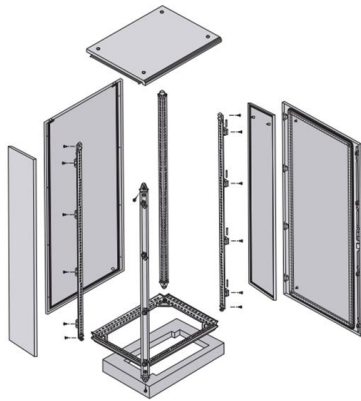
Do You Know How to Place and Use the Optical Splitter?

Optical splitters offer a cost-effective and dependable solution across various fiber optic applications. Also known as optical splitters, fiber splitters, or beam splitters, these devices are

Amazon : Fiber Optic Cable Splitter

XMSJSIY 1 to 2 Toslink Digital Optical Splitter 1 Male in 2 Male Out Fiber Optic Audio Cable with Dust Caps for Home Theatre, Xbox, PS5/PS4,TV,Receiver -1.5M/4.9FT 50+ bought in past month Add





Fiber Optic Couplers , Fibertronics, Inc.

Single mode & multimode couplers available online from Fibertronics with same day shipping. The available split counts are 1x2 and 2x2 or 1x4 1X8.

Amazon : VANDESAIL PLC Splitter,Fiber Optic Splitter 1x8

Amazon : VANDESAIL PLC Splitter,Fiber Optic Splitter 1x8 SC/APC Cassette Card Inserting,Optic Fiber Splitter for Home Wiring, Engineering Projects, Fiber Optic LAN, Network



Buy BlueRigger 1x2 Toslink Digital Fiber Optic Audio

Amazon : Buy BlueRigger 1x2 Toslink Digital Fiber Optic Audio Splitter 1 Male Input 2 Female Output - with 24K Gold Plated Connectors (for Home Theatre, Xbox,

How Much Does Fiber Optic Cable Installation Cost?

Discover the average fiber optic cable installation cost, including key factors that impact pricing, and learn how to budget for your home project.



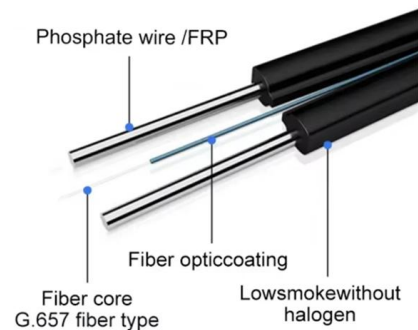


Fiber Optic Splitters Factory

Fiber optic splitters include PLC type fiber optic splitters and FBT type fiber optic splitters. Available in single mode and multimode with 900µm loose tube fiber or 250µm bare fiber connectorless or any

Average Fiber Optic Cable Installation Cost (2024)

Average Fiber Optic Cable Installation Cost The word "fiber optic" in itself can be quite intimidating. It is almost synonymous with progress and sophistication. And



Contact Us

For datasheets, pricing, or custom telecom energy solutions, please visit:
<https://koskolong.co.za>