



**Adam Tas Corridor Energy**

# **Hot aisle closure in computer room**





## Overview

---

Hot aisle containment includes doors on the ends of the hot aisle and a configuration of baffles and duct work from the hot aisle to the returns of the cooling units. Hot Aisle Containment (HAC) is a leading data centre cooling strategy designed to improve cooling efficiency and reduce energy costs. By isolating hot exhaust air emitted from server racks, HAC ensures that this hot air returns directly to the computer room air conditioning (CRAC) by funnelling it. Assuming a computer room is configured in such a way that either is an option, hot aisle containment may be seen as the better option because it has some thermal efficiency and ride-through advantages. However, because every computer room is unique, there is no one definitive solution.



## Hot aisle closure in computer room

---



### A Guide to Hot and Cold Aisle Containment for Optimizing Server Room

Training and Awareness The hot and cold aisle strategy is a proven method for improving cooling efficiency and reducing energy consumption in data centers. By carefully planning the layout of

### Hot and Cold Aisle Containment Systems: How They

One of the best ways to protect your servers from overheating is by installing a hot or cold aisle containment system. There are plenty of ways you



### Hot / Cold Aisle Containment

Quick and easy mounting allows for minimal disruption to the data center. See-through doors provide maximum visibility in and out of the aisle; panels are

### Hot and Cold Aisle Containment Systems: How They

Hot aisle containment (HAC) and cold aisle containment (CAC) are the most efficient ways of



preventing your servers from overheating and these



### Data Center Curtains , Hot & Cold Aisle Containment

Data Centers and Equipment Rooms Anti-Static Data Center Containment Curtains, Doors, and Partitions - The Ideal Solution for Data Centers Data center managers



### The Advantages And Disadvantages Of Hot-Aisle, Cold

But there are some disadvantages to cold-aisle containment. Allowing the discharge air from the hot aisle to fill the room results in temperatures



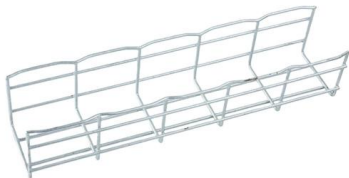
### Server Room Containment Systems , Hot & Cold Dial Containment in

Hot and cold aisle containment is a proven strategy to optimize airflow, reduce energy costs, and improve cooling efficiency. At Profile IT Solutions, we specialize in designing and implementing



## Aisle Containment

Open Aisle Containment Traditional open aisle data centres use perimeter PAC (precision air conditioning) or CRAC (computer room air conditioning) units to



## Server Room Containment Systems , Hot & Cold Dial Containment in

Whether you need cold aisle containment, hot aisle containment, or a hybrid approach, our expert team ensures maximum thermal efficiency and reduced PUE (Power Usage Effectiveness). In modern

## Data Centre Cooling: Hot Aisle and Cold Aisle Design

The hot aisle/cold aisle configuration ensures a consistent supply of cool air, reducing the likelihood of equipment failures due to overheating. Better airflow



## Hot Aisle Containment , Legrand

Experience the next level of data center efficiency with Legrand hot aisle containment solution, designed to optimize airflow, reduce energy consumption, and ensure peak performance of your critical



## Explore hot and cold aisle containment for your data center

Hot aisle vs. cold aisle containment Hot aisle containment is easier to manage and puts the rest of the room at a more comfortable cold aisle temperature. Cold aisle containment, by



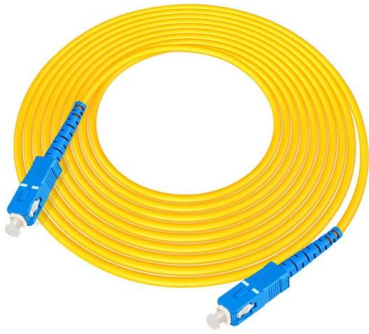
## Data Center Aisle Containment

What is hot aisle containment? With hot aisle architecture, the supply air is directed onto the front of the racks and the hot discharge air ducted back to the PAC units

## Data Center Hot/Cold Aisle Containment Systems , Eaton

Essentially creating a room within the aisle, the system helps keep hot and cold air separated to make existing air conditioning systems in data center and edge-of





## Hot and Cold Aisle Containment: What You Need to Know

It can be accomplished via thoughtful room design, cabinet layout, aisle level (doors and panels), and cabinet level (blanking panels and rack gap fillers).

## Hot Aisle Containment in Data Centers , Subzero

Based on a non-raised floor environment, this hot aisle containment project uses dual hinged doors and the Polar Cap 2 retractable roof system.



## Hot/Cold Aisle Containment , Data Center Containment

Then observe the unique layout and architecture of each computer room to discover conditions that make hot aisle or cold aisle containment preferable. With

## Hot/Cold Aisle Containment , Data Center Containment

AZE offers a wide range of partial and total containment solutions that can accommodate hot aisle containment, cold aisle containment and rack-based heat



### Hot Aisle Containment , Legrand

Legrand hot aisle containment solutions optimize airflow, reduce energy consumption, and ensure peak performance for critical infrastructure. Hot aisle containment is the most common method for



### Hot Aisle Containment: Enhancing Data Centre Efficiency

By isolating hot exhaust air emitted from server racks, HAC ensures that this hot air returns directly to the computer room air conditioning (CRAC) by funnelling it through an overhead plenum.



### Hot Aisle Containment vs. Cold Aisle Containment:

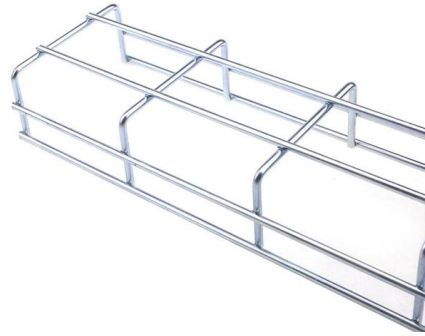
Assuming a computer room is configured in such a way that either is an option, hot aisle containment may be seen as the better option because it has





## Move to a Hot Aisle/Cold Aisle Layout

A Time-tested Technique The hot aisle /cold aisle data center layout was originated by IBM in 1992 and it is one of the oldest ways to save energy in the data center.

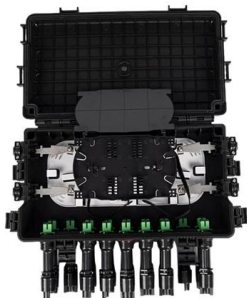


## Hot and Cold Aisle Containment: What You Need to

Aisle containment is a physical means of separating hot (exhaust) and cold (supply) air. It can be accomplished via thoughtful room design, cabinet

## Hot And Cold Aisle Containment For Data Center

Aisle Containment System in Data Center Aisle containment is a data center cooling strategy that separates the hot and cold airflows, creating isolated



## Hot & Cold Aisle Containment Explained , AMCO Guide

Learn the science behind hot and cold aisle containment and how it improves airflow management, cooling efficiency, and performance in modern data centers.



## Data Center Design: Hot Aisle & Cold Aisle - Length

Efficient airflow management in data centers relies heavily on proper Hot Aisle and Cold Aisle configurations. To maintain thermal performance, equipment

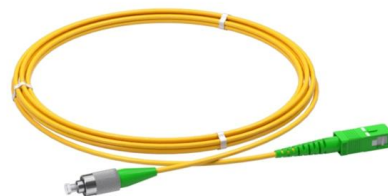


## Cold Aisle Containment & Hot Aisle Containment

Executive Summary of Aisle Containment This article examines cold aisle containment and hot aisle containment (also known as cold or hot air containment) from a neutral perspective. Cross-Guard, as

## Hot Aisle vs Cold Aisle in Data Centers: Technical

What Are Hot Aisle / Cold Aisle Configurations? Data centers are ovens if left unmanaged. Hundreds, sometimes thousands of servers pump out



## FOCUSED COOLING USING COLD AISLE CONTAINMENT

While either hot aisle or cold aisle containment systems can be installed and are both capable of increasing efficiency and cooling today's high heat data centers, meaningful differences exist in how



## Contact Us

---

For datasheets, pricing, or custom telecom energy solutions, please visit:  
<https://koskolong.co.za>