



Adam Tas Corridor Energy

How are fiber optic cables and wires priced





Overview

Factors like armor, jacket rating (LSZH), and raw material indices influence the final ex-factory. Here's a general pricing reference: Cable Type Price Range (USD/meter) Simplex / Duplex Indoor Cable \$0. Fiber-optic cable materials typically cost \$1 to \$6 per linear foot, depending on fiber count and cable type. Commercial building installations with 100-200 network drops generally range from \$15,000 to \$30,000. Single-mode fiber costs less per foot than multimode fiber, but it requires more. And between the different types of fiber cables (drop fiber optic cables, outdoor fiber optic cables, indoor fiber optic cables, special fibre cables, etc.



How are fiber optic cables and wires priced

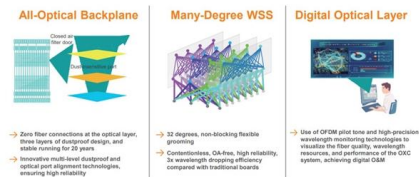


Understanding the Real Costs of Fiber Optic Cables: A

Explore the factors influencing fiber optic cable pricing, including cable types, installation methods, and market trends. Make informed decisions with

500 Meter Fiber Optic Cable Price Factors for Project Buyers

Understand 500 meter fiber optic cable price by fiber type, core count, jacket, armor, tensile strength, drum packing, testing, and quantity.



Fiber Optic Cables and Wires Manufacturing in G

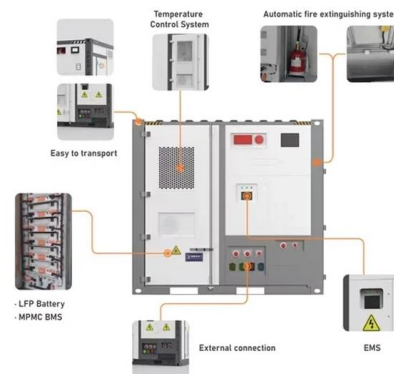
List of Fiber Optic Cables and Wires Manufacturing & suppliers in G. Get top companies for Fiber Optic Cables and Wires Manufacturing product and services for the best price in G.

Frontier Fiber Internet: Plans, Pricing, Speeds, and

Frontier Fiber Internet is a high-speed internet service that uses fiber-optic cables instead of



copper or phone lines. It delivers faster speeds, better



24 Core GYTC8S Figure-8 Fiber Optic Cable Price

24 Core GYTC8S Fiber Optic Cable Armor Stranded Loose Tube Steel Wire Strength Waterproof Figure 8 Self Supporting Outdoor GYTC8S is a typical self



Fiber Optic Cables , Browse Optical Fiber Cable Distributors

Order fiber optic cables at Octopart. Explore a variety of optical fiber cables designed for reliable data transmission. Download datasheets, compare pricing, and find a reliable distributor for fiber optic

Length:33.5mm
Small-end inner diameter:4.0mm
Large-end inner diameter:6.0mm



How Much is the Cost of Fiber Optic Cable?

In this article, Fibconet will explore the factors influencing the cost, the average price range, installation costs, and tips for saving money when



Fiber Optic Cables and Wires Manufacturing in A

List of Fiber Optic Cables and Wires Manufacturing & suppliers in A. Get top companies for Fiber Optic Cables and Wires Manufacturing product and services for the best price in A.

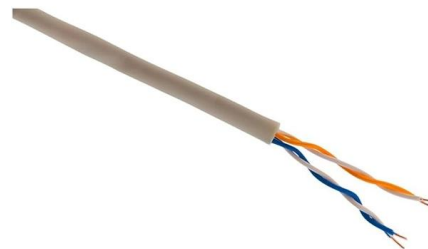


2 Core Fiber Optic Cable Price Per Meter with OWIRE Solutions

Their **2 core fiber optic cable price per meter** is highly reasonable, especially considering the superior build and performance. In addition to cost-effectiveness, OWIRE offers

4 Core Fiber Optic Cable Price List with OWIRE Solutions

The 4 core fiber optic cable price list reflects not only raw materials but also manufacturing standards, testing procedures, and compliance with



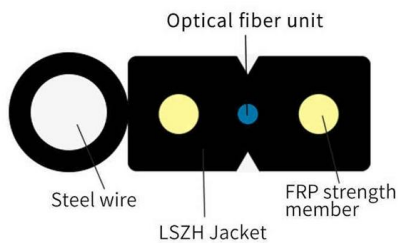
GCC Wires & Cables Market Report 2025-2033: Size and Share

Market segments boast significant demand for fiber optic, low-voltage, high-voltage, and underground cables, reflecting a dynamic and evolving industry landscape. GCC Wires & Cables



Optical Communications Products

Browse our optical communication connectivity products designed to help you enable your communication networks. Easily create a bill of materials list.



Comprehensive Guide to Fiber Optic Cable Pricing: Cost Analysis and

Explore detailed insights into fiber optic cable pricing, including cost factors, quality considerations, and long-term value benefits for modern telecommunications infrastructure investments.

Factors Affecting the Cost of Fiber Optic Cable

This post introduce some of the factors that affect the fiber optic cable price and how to save the optic fibre cable cost.





Fiber Optic Cables and Wires Manufacturing in Hattps , Fiber Optic

List of Fiber Optic Cables and Wires Manufacturing & suppliers in Hattps. Get top companies for Fiber Optic Cables and Wires Manufacturing product and services for the best price in Hattps.



24 Core Fiber Optic Cable Price Per Meter with OWIRE Solutions

The 24 core fiber optic cable price per meter will likely remain a key consideration, but informed buyers will prioritize total value over initial cost. In conclusion, the 24 core fiber optic cable



Online Bulk Cable Company , CableWholesale

As a premier online bulk cable company, CableWholesale carries a large inventory of computer cables, USB, HDMI, fiber optic, VGA cables, and more. Shop now!

Fiber Optic Cable Pricing Guide: Factors That Affect Cost

This guide outlines the major factors that influence fiber optic cable costs and provides practical tips for estimating pricing in bulk or project-based scenarios.



Fiber Optic Cable Price: Understanding the Cost of

In fiber optic technology, single-mode fiber optic cables for long distances have a higher fiber optic cable price due to precision manufacturing.



Fiber Optic Cables , Corning

With 2 billion kilometers of fiber optic cables installed around the globe, Corning continues to lead the industry in product quality and innovation.



Fiber Optic Cables and Wires Manufacturing in Vdgjp , Fiber Optic

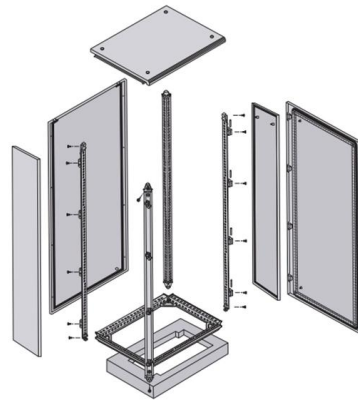
List of Fiber Optic Cables and Wires Manufacturing & suppliers in Vdgjp. Get top companies for Fiber Optic Cables and Wires Manufacturing product and services for the best price in Vdgjp.





Fiber Optic Cable Cost Optimization: Sourcing, Labor

By addressing the specific requirements of producing 90 km of fiber optic cable per day, we successfully identified key cost drivers and projected profitability,



Structured Cabling Solutions

ICC is a structured cabling solutions manufacturer of copper & fiber optic connectivity products for commercial & residential applications.

Cost of Fiber Optic Cable: Pricing Guide (2026)

Discover the cost of fiber optic cable in this pricing guide. Learn material prices, installation factors, and what impacts total project costs overall.



Fiber-optic cable

A fiber-optic cable, also known as an optical-fiber cable, is an assembly similar to an electrical cable but containing one or more optical fibers that are used to carry



Optical Fiber Cables Wholesale Suppliers, Manufacturers

Buy premium Optical Fiber Cables in bulk from verified wholesale suppliers and manufacturers in Africa. Best prices, bulk discounts, trusted deals at go4WorldBusiness .



How Much Does Fiber Optic Cable Cost? 2025 Factory Price Guide

Searching for how much does fiber optic cable costs? Stop guessing. We break down 2025 prices for OS2, OM3, and Armored cables directly from the Wolontek factory floor.

Cables, Adapters, Fiber, Network Add-ons & Tools , Computer Cable

Cables, Adapters, Fiber, Network Add-ons & Tools
This 20m Multimode Duplex OM4 Fiber Optic Patch Cable (50/125) - LC to LC has ceramic ferrules and a 50/125 micron core, this cable is suitable for



Fiber Optic Cable Cost Guide 2026

Main cost drivers include cable grade (indoor vs outdoor, armoured), distance, and labor for trenching, splicing, and termination. This guide presents ranges in USD and practical price



Fiber Optic Cable Price in Pakistan 2026

The price of fiber optic cables typically ranges from Rs. 160 per meter for patch cords to higher prices for single-mode and multimode fiber cables, depending on the



Industrial Fiber Optic Cable Price Guide: Cost Factors

Learn what affects industrial fiber optic cable price, key cost drivers, material choices, specifications, and how to select or customize the right cable for

Contact Us

For datasheets, pricing, or custom telecom energy solutions, please visit:
<https://koskolong.co.za>