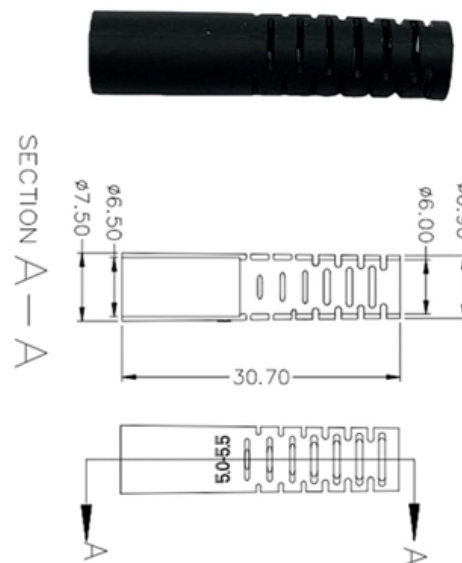




How deep is the power distribution box





Overview

Electric power distribution become necessary only in the 1880s, when electricity started being generated at.



How deep is the power distribution box



How Does a Power Distribution Box Work: A Guide

Combining digital oversight with traditional protection mechanisms, modern power distribution boxes bridge the gap between automation and safety,

Electric power distribution

Overview
History
Generation and transmission
Primary distribution
Secondary distribution
Modern distribution systems
See also
External links

Electric power distribution became necessary only in the 1880s, when electricity started being generated at power stations. Until then, electricity was usually generated where it was used. The first power-distribution systems installed in European and US cities were used to supply lighting: arc lighting running on very-high-voltage (around 3,000 V) alternating current (AC) or direct current (DC), and incandescent lighting runni



The installation requirements for the distribution box

A distribution box is the heart of any electrical system. It takes the incoming power and safely distributes it to different circuits throughout your





What is a Distribution Box? - A Comprehensive Guide

A distribution box organizes and controls power flow, ensuring safety and efficiency in electrical systems.



The Complete Guide to Distribution Box: Installation, Types & More

Blog The Complete Guide to Distribution Box: Installation, Types & More By Admin Aug 2, 2025 No Comments # distribution box Introduction Electrical systems power our homes, offices, and

Understanding Distribution Boxes: Your Guide to Power

What are the different types of distribution boxes? The table below provides a comprehensive overview of various distribution box types and



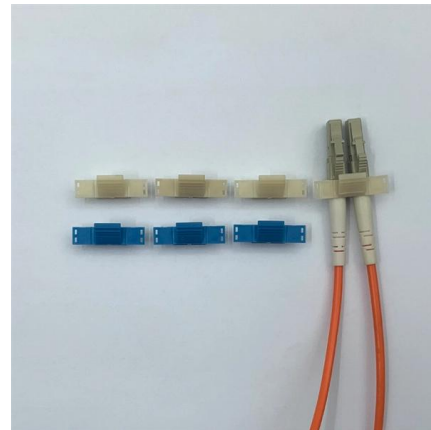
Understanding Distribution Boxes: A Comprehensive Guide

A distribution box, also known as a power distribution box or electrical distribution box, is used to distribute electrical power safely to multiple



Size determination, installation method and wiring mode

The distribution box is the central hub of the home circuit and the general control of our daily power consumption. It is an indispensable electrical equipment. If there



Power Distribution Systems

This section delves into the major components of AC power distribution systems, including distribution lines, distribution transformers, circuit breakers and

Power Distribution Boxes Explained Simply

A power distribution box directs electricity safely and efficiently throughout your system. It protects against overloads, simplifies power





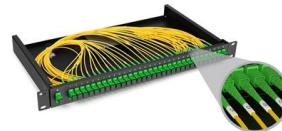
Understanding Distribution Boxes: Your Guide to Power

Every single type of these power distribution boxes serve to regulate electricity management systems safeguarding the structure against unauthorized



Understanding Distribution Boxes: A Comprehensive Guide

Learn what a distribution box is, its types, and how to choose the right one for your project. Includes clear examples and expert tips.



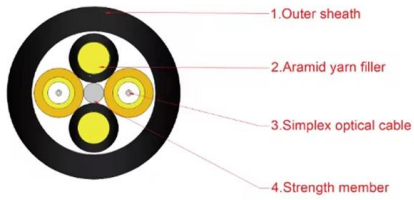
Where Is the Distribution Box Located and How to Find It

When your power goes out or a circuit breaker trips, knowing exactly where your distribution box is located can save you time, money, and frustration.

12 types of distribution boxes and how to choose them

In this guide, we'll break down the 12 main types of distribution boxes in a way that's easy to understand. We'll chat about what each one does, where it shines, and then dive into how to choose the perfect





Distribution Boxes Types - The Complete Guide

The power distribution boxes deliver electricity from the main electrical main to other circuits. Several distribution boxes are designed for specific use in

How Does a Power Distribution Box Work

Learn how a power distribution box works step by step--from incoming power to circuit protection and smart monitoring--for safe, efficient electricity delivery.



DB BOX(Electrical Distribution Box): Everything You

Learn everything you need to know about the Electrical Distribution Box (DB Box). Explore types, materials, installation tips, etc.

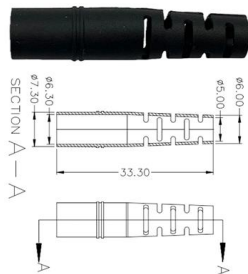
What is the Internal Structure of The Distribution Box

What is a Distribution Box? Definition A distribution box is an essential electrical component used to manage and control the flow of electricity



Understanding The DP Box And DP Switch: Electrical Power

The dp box, or the Distribution Point Box, is fixed deep within the electrical cables and wires. This understated enclosure is crucial in distributing electricity to specific residences and



What Is an Electrical Distribution Box? A Complete Guide

An electrical distribution box routes power, prevents overloads, and keeps wiring organised--essential for safe, efficient home and industrial setups!



What Is The Internal Structure Of The Power Distribution

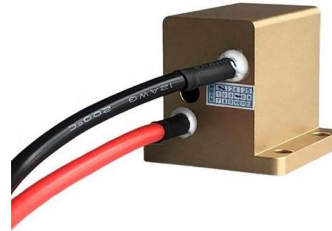
A distribution box is according to the electrical wiring requirements of the switchgear, measuring instruments, protection appliances, and auxiliary





How to determine the size, installation method and

(1) Wiring method of distribution box 1)
Generally, the incoming line of power distribution box adopts five wire system, that is, a, B and C three-way phase line



Power Distribution Boxes Explained Simply

Learn what a power distribution box is, how it works, key components, types, and why it's vital for safe and efficient electrical systems.

Contact Us

For datasheets, pricing, or custom telecom energy solutions, please visit:
<https://koskolong.co.za>