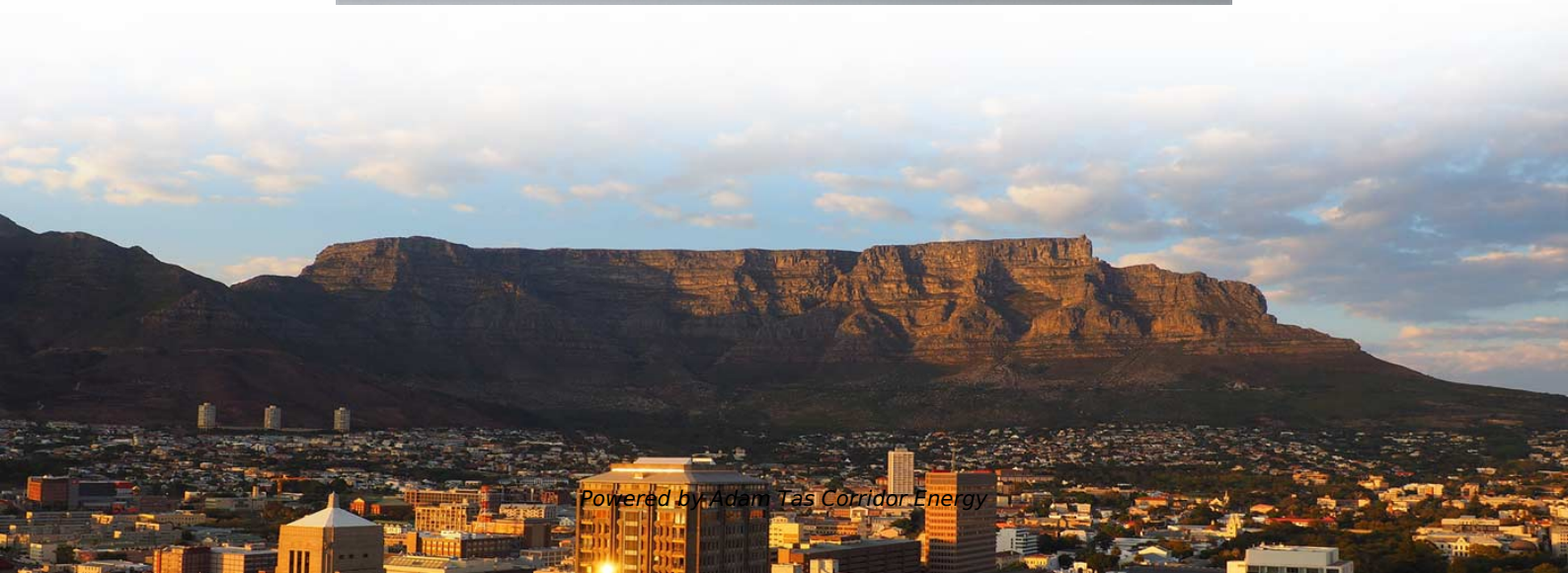




Adam Tas Corridor Energy

How is the GNR spectrometer in Tanzania





How is the GNR spectrometer in Tanzania

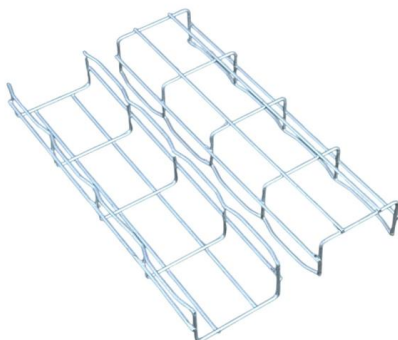
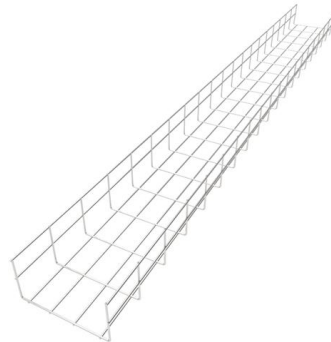


Optical Emission Spectrometer and Rotr Oil

GNR India - Optical Emission Spectrometer, Rotr Oil Spectrometer & Metal Testing Equipment Service Provider from Mumbai, Maharashtra, India

GNR S1 Metal Analysis Spectrometer OES

GNR S1 Metal Analysis Spectrometer OES S1 MiniLAB 150 is the newest Spark Emission Spectrometer designed by GNR to celebrate its 30th year of operation. Nowadays MiniLAB instruments are ones of



Your browser does not support frames. We recommend upgrading

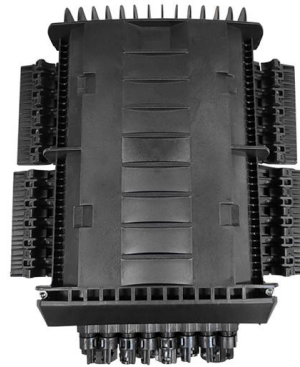
Your browser does not support frames. We recommend upgrading your browser.

GNR S3 Mini Lab 300 Optical Emission Spectrometer,

Get GNR S3 Mini Lab 300 Optical Emission Spectrometer, 130-700 nm at best price in



Mumbai, Maharashtra by GNR India and more distributor / channel partners ,



Microsoft Word

ULtracoMpacT optiCAL EMiSSion SpEctroMEtEr pEctroMEtEr The S3 MiniLab 300 is the latest addition addition to to the the GNR range range of of Optical Optical Emission Emission Spectrometer



MiniLab 150 - GNR Analytical Instruments

S1 MiniLab 150 Ultra Compact Optical Emission Spectrometer A recently introduced production model which has already met customer approval for its excellent



Product Categories

All GNR product categories: optical emission spectrometry, X-ray diffraction and fluorescence, and many more. Find out more!



Atlantis - GNR Analytical Instruments

The S9 Atlantis is the GNR Top of the Range Laboratory Optical Emission Spectrometer. The new S9 Atlantis is the result of 30 years of experience in



LoRa handheld portable base station



S3 MiniLab 300 Spectrometer Overview

The S3 MiniLab 300 is a compact optical emission spectrometer designed by GNR to celebrate their 30th anniversary. It is one of the smallest and lightest compact

Optical Emission Spectrometers

GNR AreX is a fixed angular range X-Ray diffractometer equipped with the most modern technical features which grant accuracy, precision, safety and easiness of use, especially designed for



Optical Emission Spectrometers for Metal Analysis

GNR, thanks to its 40 years of experience in the field, has developed a wide range of analyzers to offer the most suitable instrument for any requirement in optical



ini ab 150

GNR projects and manufactures Optical Emission Spectrometers (OES) and Rotating Disc Electrode Optical Emission Spectrometers (RDE-OES) for the measurement of elemental composition of metal



Products - GNR Analytical Instruments

Products from GNR UK-based supply, service and support is available on all of our products. Optical Emission Spectrometers From small desk top to full laboratory

MiniLab 300 - GNR Analytical Instruments

Today our MiniLab range is recognised as one of the most compact and highly performing optical emission spectrometers available in this class. The S3 MiniLab





Optical Emission Spectrometer and Rotr Oil Spectrometer Service

Palus, Maharashtra ?????????? 30-May-25
Product Name : Optical Emission Spectrometer R
Rajesh Yadav Kashipur, Uttarakhand

G.N.R. S.r.l. products

GNR developed a new RDE spectrometer, RotrOil Auto Samples Changer (RTL-ASC) that provides automated operation for the analysis of the used oil samples. It is a cost-effective instrument for un



Service & Repairs - GNR Analytical Instruments

Service & Repairs Based in the UK, we offer a fast call out and repair service on all GNR spectrometers and X-Ray equipment by factory trained engineers. With a



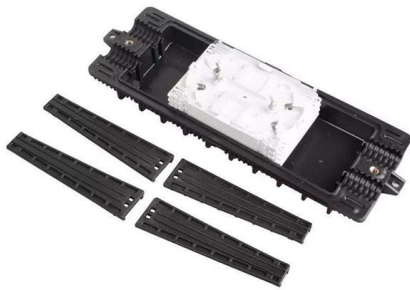
S3 Minilab 300

S3 MiniLab 300 is the newest Spark Emission Spectrometer designed by GNR to celebrate its 30th year of operation. Nowadays MiniLab instruments are ones of the smallest and lightest compact optical



Solaris CCD NF - GNR Analytical Instruments

Highly Reliable Performance with low cost of ownership and fast return on investment - Specific for Non Ferrous Alloys. The S4 SOLARIS CCD Non Ferrous (SCNF) is



GNR

GNR - X-ray and optical emission spectrometer systems GNR was founded in 1984 in Milan (Italy) by Mario Gungui and Antonio Nigro. They took over OPTICA srl, one of the first and best-known



Solaris CCD Plus - GNR Analytical Instruments

The S5 SOLARIS CCD Plus (S5 SCP) is an advanced CCD based optical emission spectrometer for Metal Analysis. S5 SCP offers the perfect solution for Metal





G.N.R.

It is an ultra-compact spark emission spectrometer with an innovative optical design, equipped with the "Single Sample Standardisation" software for



ini ab 300

GNR designs and produces X-Ray Diffractometers (XRD) and X-Ray Fluorescence Spectrometers (XRF) for the study of material structure and elemental composition for both academic and industrial

Optical Emission Spectrometers

G.N.R. S.r.l. projects and manufactures Optical Emission Spectrometers (OES) and Rotating Disc Electrode Optical Emission Spectrometers (RDE-OES) for the measurement of elemental



GNR India

GNR India, Mumbai, Maharashtra - We are Service Provider of S7 Metal Lab Plus Optical Emission Spectrometer, Non Ferrous Spectrometer, Metal Testing



GNR S9 Atlantis

The new S9 Atlantis is the result of 30 years of experience in developing and manufacturing optical spark emission spectrometers. It can be considered as the top laboratory metal analyser with



Home , GNR Analytical Instruments

GNR offer a complete range of Optical Emission Spectrometers and X-Ray products to meet the many applications required in today's modern laboratories and

Contact Us

For datasheets, pricing, or custom telecom energy solutions, please visit:
<https://koskolong.co.za>