



Adam Tas Corridor Energy

How many angle irons are needed for grounding the distribution box





Overview

This publication gives you general guidelines for installing an Allen-Bradley industrial automation system that may include programmable controllers, industrial computers, operator-interface terminals.



How many angle irons are needed for grounding the distribution bo



The Complete Guide to Ground Rods in Electrical Systems

Ground rods are critical in electrical grounding systems, providing a safe pathway for excess electricity dissipating into the earth. These rods protect people and electrical equipment from

cs-178-project/imdb.vocab at main · apmalani/cs-178-project

Contribute to apmalani/cs-178-project development by creating an account on GitHub.



Grounding and UL 508A Standards

Additional rules for the grounding and bonding of industrial control panels include the sizing of ground conductors and the conditions that dictate



How to Ground an Electrical Panel: A Complete Guide

Grounding an electrical panel is an important step to keep your home and family safe. It gives



extra electricity a safe path to the ground,
helping prevent



How to Ground an Electrical Panel: A Complete Guide

What is Electrical Panel Grounding? Electrical panel grounding means linking a system panel to the ground through earth electrode like rods and



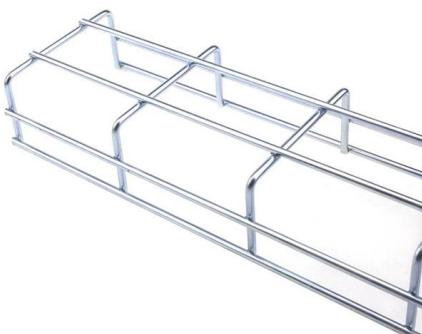
How to determine the size, installation method and

9) The wood brick and iron parts needed for the installation of the distribution board need to be buried in advance, and the exposed distribution box should be fixed



Electrical Panel Grounding and Bonding

The topic of grounding and bonding is a never ending area of confusion. The difference between a service panel and a sub panel is also muddy in many





NFPA Fact Sheet , Grounding and Bonding

Download the NFPA fact sheet that helps electrical professionals use Article 250 of the NEC for grounding and bonding.



English <=> German

LEO : Your online dictionary for English-German translations. Offering forums, vocabulary trainer and language courses. Also available as App.

Grounding and UL 508A Standards

Understanding grounding and bonding for industrial control systems is no simple task. In an earlier article, we explored many of the general elements



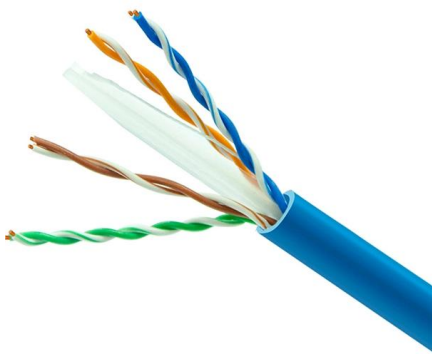
Grounding Practices in Power Distribution Systems

The installation of grounding methods for transmission lines is absolutely necessary in order to guarantee the safety, dependability, and effectiveness of power



How To Ground Electrical Enclosure: The Complete Guide

Majority of chassis grounds are coupled at only one location to inhibit "ground loops" that may lead to interference. This makes it critical to ensure your

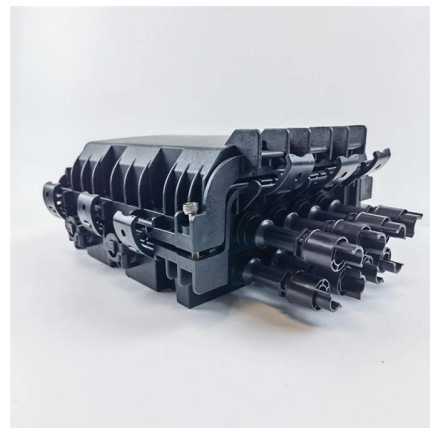


NEC 250.122 Grounding Conductor Size Rules

NEC 250.122 explains equipment grounding conductor sizing, Table 250.122 rules, overcurrent device ratings, and EGC fault current protection.

Correct Connection Method Of Grounding Wire Of

Open the distribution box and find the position marked with the grounding plate or PE letter. This position is the connection point of the grounding



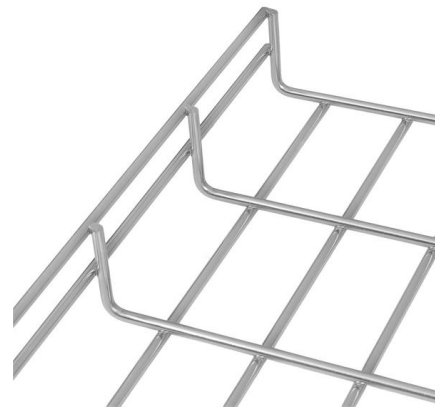


Transmission Line Grounding Guide

Paragraph 94; Ground Electrodes (for distribution): "The grounding electrode shall be permanent and adequate for the electrical system involved" and allows for the use local systems such as metallic

How to Ground an Outlet with Various Methods

A two inch grounding or bonding bushing used to connect a grounding wire to a conduit or fitting
How To Ground An Outlet How to Ground Outlets and

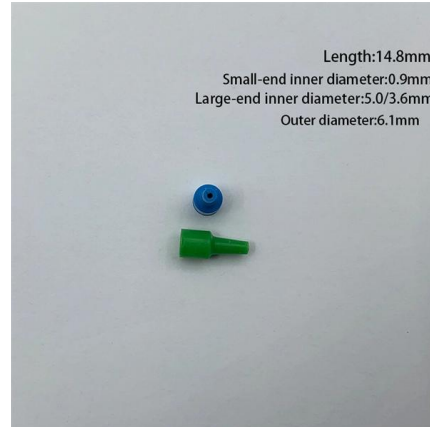


Electrical Grounding and Earthing

What is Electrical Grounding or Earthing?
Earthing, also known as Grounding, is the process of connecting electrical systems, equipment, and devices to the ground

Ground an Electrical Panel: NEC Requirements

Resistance Rule: If the resistance to ground of a single rod measures more than 25 ohms, a second rod must be installed. Rod Types: Copper-Bonded Steel



Electrical Panel Grounding , Safe & Code-Compliant

Ground bar in the panel: The terminal where all ground wires are connected. Bonding jumper: Connects the neutral and ground bars in the main

2023 NEC Study Guide For "Service Grounding Basics"

2023 NEC Study Guide For "Service Grounding Basics" (This Study Guide was prepared by Gaylord Poe) Like many code topics, there are numerous NEC rules about the grounding of service



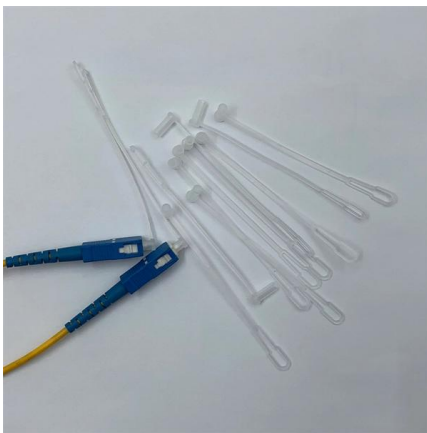
National Electrical Code 2023 Basics: Grounding and Bonding Part 1

Learn about the general requirements for grounding and bonding in line with the NEC 2023.



9 Recommended Practices for Grounding

The minimum size the equipment grounding conductor for safety is provided in NEC 250.122, but a full-size grounding conductor is recommended for



JLC Field Guide: Grounding

JLC Field Guide: Grounding The purpose of grounding is safety: A ground wire generates a short circuit and trips the circuit breaker or fuse when

Grounding Do's and Don'ts: Essential Best Practices for

Learn the critical do's and don'ts of grounding to protect your equipment, reduce downtime, and ensure electrical and RF system reliability. Explore expert



ARTICLE 250 GROUNDING AND BONDING

GROUNDING AND BONDING Introduction to Article 250--Grounding and Bonding ounding electrical installations. The terminology used in this article has been a source of much confusion over the years



Grounding System Installation Standards for Distribution Boxes and

By understanding the deeper principles behind grounding standards, avoiding common installation pitfalls, and insisting on certified materials from reputable suppliers, you're not just following



The installation requirements for the distribution box

Learn how to install a distribution box safely and correctly. Covers wiring, placement, standards, and expert tips for a compliant setup. A distribution box is the heart of any electrical

Grounding of commercial and industrial power systems

Grounding is an important aspect of every electrical distribution system. A properly designed and well maintained grounding system significantly reduces the chance



Contact Us

For datasheets, pricing, or custom telecom energy solutions, please visit:
<https://koskolong.co.za>