



Adam Tas Corridor Energy

How many fiber optic ports can a switch have



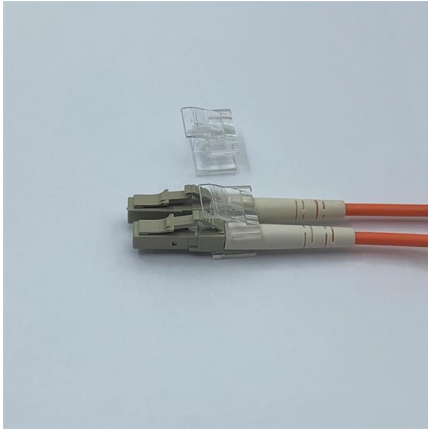


Overview

Port Density: Modern fiber optic switches come equipped with multiple ports (4 port, 6 port, 8-port, 16-port, 24-port and 48-port options) which enables them to support devices from small business offices up to large enterprise networks. If you have multiple Ethernet switches that need to be connected over long distances, fiber is obviously a preferred choice. VERSITRON manufactures a wide range of fiber optic switches that provide links for your 10Base, 100Base, 1000Base Gigabit, and 10 Gigabit networks simultaneously. It is essential for high-speed networking, offering extended reach and bandwidth capabilities.



How many fiber optic ports can a switch have



What Is an ONT & How Is It Used in Fiber Networks?

An ONT links your home to your ISP's fiber network. It delivers fast, stable internet by translating light into data. See how it works and why it matters.

How Are Network Switch Connect To Fiber

Learn how network switches connect to fiber optics for fast and reliable data transmission. Understand the benefits and considerations of this



Fiber Ethernet Network Switches

Choosing the right fiber optic switch involves considering factors such as port count, speed requirements, and any PoE power requirements. When

A Guide to SFP Ports on Gigabit Switches

Flexibility in Connectivity With SFP ports, you can use different transceivers to connect to various



network types. Whether you're working with



What Is an SFP Port on a Gigabit Switch?

What Is an SFP Port on a Gigabit Switch? An SFP port (Small Form-Factor Pluggable port) on a Gigabit switch is a dedicated slot designed to support

Online Bulk Cable Company , CableWholesale

As a premier online bulk cable company, CableWholesale carries a large inventory of computer cables, USB, HDMI, fiber optic, VGA cables, and more. Shop now!



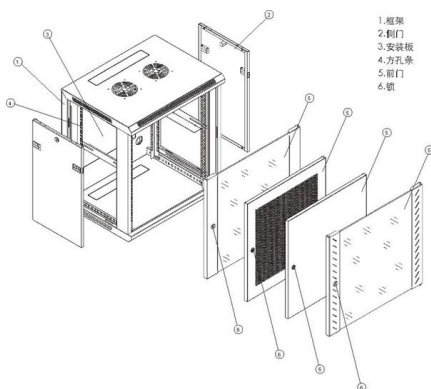
Types of Fiber Optic Switches, LinkNewNet

Core-level fiber optic switches usually provide many ports, from 64 ports to 128 ports to more. It uses very wide internal connections and route data frames with maximum bandwidth.



Fiber Optic Network Switches , Ethernet to Fiber

Various port sizes are available ranging from 4 up to 52 ports. We offer solutions that provide seamless transmission and conversion from Ethernet media to multimode



Types of Fiber Channels, Fiber Ports and Fiber Switch

Fiber Channels, Fiber Ports and Fiber Switch
Fiber Channels Fiber Channels are twisted pair of copper coupled with several fiber optic cables. This type of

What You Need to Know About the SFP Port on a

This port can support different types of transceivers and allows connections over various media, such as copper cables and fiber optic cables,



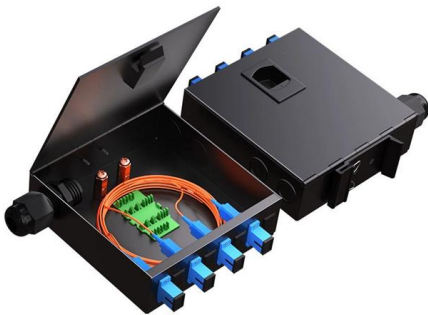
Choosing the Right Fiber Switch for Your Server Infrastructure

A fiber switch is a key component in server infrastructure, managing data flow between servers, storage devices, and networks using fiber-optic cables. It offers faster speeds, longer



Unlocking the Power of Fiber Switches: A Comprehensive Guide to

As a result, the fiber optic switch is considered a more brilliant switch because it can transmit more data over longer distances without losing quality. They often have SFP ports, which



Ethernet Fiber Switch: Comprehensive Guide to Networking Power

2. Key Components of an Ethernet Fiber Switch
2.1 Fiber Optic Ports Ethernet fiber switches come with specialized ports that support fiber optic connections. These ports include: SFP (Small Form-factor

Get Further Understanding of Ethernet Switch Port Types

The switch ports number varies from different network switches and port type can be configured according to specific needs. Then how many ports on



Tips For Connecting Two Switches Through Fiber Ports

The connection between two or more Ethernet switches in a certain way (Uplink port, etc.) is called the cascade. Theoretically, the cascade can go on endlessly, but in practice, it is recommended to



3 FAQs of Connecting Switches by Fiber Optical Ports

Switch optical port intercommunication means that the optical fiber ports of two switches are connected to each other to achieve the purpose of



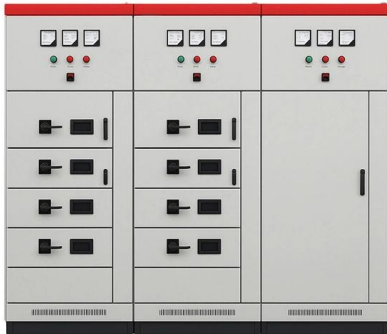
Solved: Choosing a Fibre Switch

The 3850 switches can be stacked (except the 48 port all-SFP model), making adding in redundancy quite simple. The 4500X requires configuration of a Virtual Switching System (VSS) pair

Multimode Fiber Optic Switches: A Comprehensive Guide to

Through advanced switching techniques, these switches can reroute data packets between input and output ports, allowing for intelligent and flexible routing. One of the key features of multimode fiber





New Cisco 9300 Switch with Fiber connection enable.

Enes provided a couple of examples, and noted you need a similar set of optics on both ends of the fiber link, hopefully you also understand each port could be using different optics and/or

Ethernet Fiber Switch: Comprehensive Guide to Networking Power

Ethernet fiber switches are built with high switching capacities to manage multiple high-speed connections without bottlenecks. Bandwidth requirements will vary depending on the switch type and



A Comprehensive Overview of Ethernet Switch Port Types

On Ethernet switches, SFP28 ports play a critical role in enabling high-speed, high-density connectivity. They allow seamless connection to 25G

How Many Core In Fiber Optic Cable Do I Need

So each terminal will use two cores at most. If you want to consider the cost, you can use 1-2 cores for the entire line redundancy. For example, if you



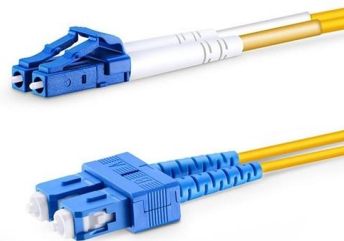
Understanding SFP and QSFP Ports on Switches

QSFP ports on switches are high-speed fiber optic interfaces designed for fast data transmission and high-bandwidth connections. With support for multi-channel transmission, QSFP



Ethernet Switch Port Types Explained 2026: RJ45, SFP,

A complete engineering guide to Ethernet switch port types: RJ45, SFP, SFP+, SFP28, QSFP+, QSFP28, Combo, Stack, PoE, access/trunk/hybrid



Fiber Optic Switches Information

Fiber optic switches route an optical signal without electro-optical and opto-electrical conversions. Types of Fiber Optic Switches Fiber optic switches can interface





Contact Us

For datasheets, pricing, or custom telecom energy solutions, please visit:
<https://koskolong.co.za>