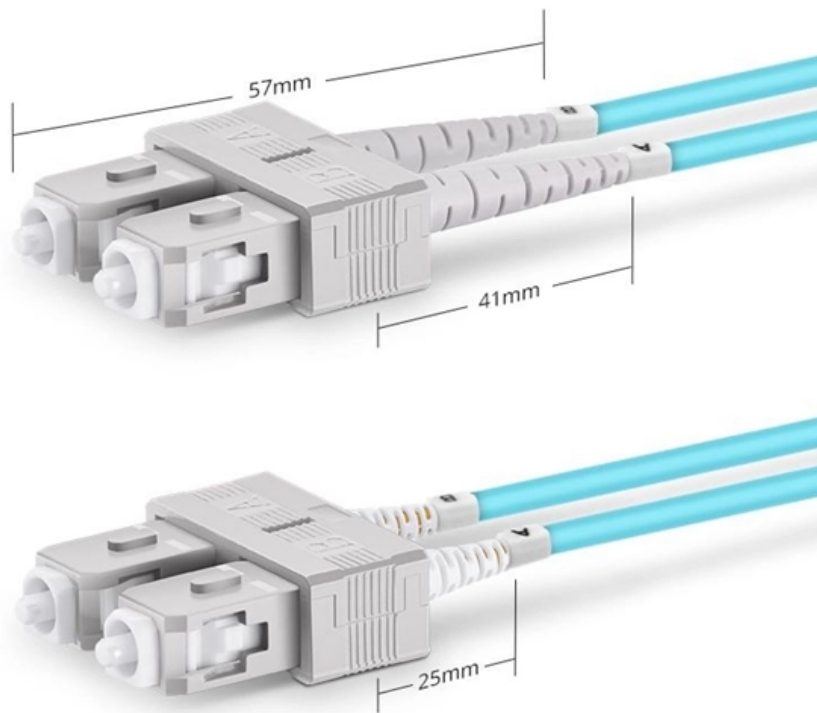




Adam Tas Corridor Energy

How many lines can a 48-core fiber optic cable connect



Duplex SC UPC





How many lines can a 48-core fiber optic cable connect

24 Core and 48 Core Fiber Optic Cable



Fiber optic cable is a cable containing one or multiple optical fibers that are used to transmit the signal. The optical fiber elements are typically individually coated

How Many Core In Fiber Optic Cable Do I Need

According to the IBDN standard, we generally recommend using 12 cores for the communication room in each building, and 24 cores for the building



48 Fiber MPO Fiber Cables

48 Fiber MPO Cables are available in two popular configurations, including four 12 fiber or two 24 fiber MPO connectors.

How many connections can one fiber optic cable support? : r

A pair of fibers can push 10g but a fiber "cable" could have 6, 12, or even more pairs. Each pair



would be connected to the switch/router individually but the total capacity basically gets added up.



5-INCH COLOR TOUCHSCREEN
Intuitive operation, easily accessible with just one touch



Industrial Fiber Optic Cable Price Guide: Cost Factors

Many engineers find that understanding these factors prevents over-paying and significantly reduces long-term failure risks. What Determines

Fiber Optic Cable Speed , Verizon Business

Fiber vs. cable: Ready for growth, Bottom line, when considering cable or fiber: Businesses that rely on the internet to serve their customers can consider fiber a strong choice. Businesses like yours put



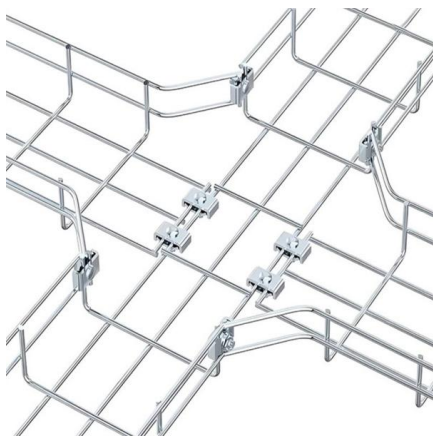
Fiber Optic Terminology & Definitions , Fiber Terms Guide

Fiber optic cables can have various strengths such as armored, loose tube, direct burial and more. These characteristics are important because every installation



HJ Outdoor Fiber Optic Terminal Box Metal Wall Mount Waterproof

The optical cable terminal box series serves as an auxiliary device for terminal distribution within optical fiber transmission networks. It is suitable for the direct and branch splicing of indoor or outdoor



Fiber Optic Cable Installation for Homes and Offices , Tips

Safely install fiber optic cables in homes, offices, and data centers--using appropriate tools, guides, and best practices.

How to determine the number of cores required when using fiber optic?

In general, there are several terminals that require several cores. However, redundancy will be considered during the design and construction of the actual scheme. Therefore, each terminal will



How Many Fibers Do You Need? Guide to Choosing

Learn how to choose the right fiber count for data centers, campuses, FTTH and backbone projects. Practical rules, sizing tips, and future-proof planning.



How Much Does A Fiber Optic Cable Production Line Cost In 2025?

A complete fiber optic cable production line in 2025 requires an initial investment of \$750,000 to \$2,500,000. Key cost drivers are the main production machinery (50-60%) and raw



How to use Ubiquiti SFP ports for fiber optic connections

Extend your network with fiber using SFP ports on UniFi gear. Learn how to choose modules, avoid pitfalls, and set up fast, reliable fiber links.



WORLD WIDE WEB JOURNAL Home

O'Reilly & Associates, Inc. 103A Morris St.
Sebastopol, CA United States



A Guide Based on Core Numbers to Choose The Right MTP/MPO Cable

Summary The choice of core count for MTP/MPO cables should be judged in the context of the actual application scenario. Only by matching the number of fibers with the specific needs of

8 Core vs 16 Core vs 24 Core vs 48 Core Fiber Capacity

Engineering explanation of fiber core count differences in terminal boxes and how capacity affects deployment structure and scalability.



How to Install Fiber Optic Cable Underground

Fiber optic cable provides a path for high-speed connectivity over distances that traditional copper wiring cannot manage. Light signals traveling through a pure glass core offer

8 Crucial Fiber Optic Cable Benefits for Business in 2025

Explore the top fiber optic cable benefits, from speed and security to long-term ROI. Learn how fiber can transform your business network.



The FOA Reference For Fiber Optics

Many high fiber count cables today are made from ribbons of fibers, usually 12 fibers per ribbon. Splitting all those fibers out to splice individually would be time



12 Core Single Mode Fiber Optic Cable

Shop high-quality 12 core single mode fiber optic cables for reliable communication. Enjoy durable, efficient, and cost-effective solutions for your needs.



FOA Standard For Installing Fiber Optic Cable Plants

Before the fiber optic cable plant can be installed, construction may be needed to provide the infrastructure in which the fiber optic cables will be installed.





How to Choose the Suitable Number of Fiber Cores for

Learn how to choose the suitable number of fiber cores for your network, ensuring optimal performance and future scalability.



OptiTap® Fiber Connectors: 2026 Buyer's Guide

Evaluate OptiTap® fiber optic connectors for 2026 FTTH networks. Analyze IP68 ratings, deployment trade-offs, purchasing criteria, and installation risks.

The Ultimate Guide to Fiber Optic Cable Technology

Future-Proofing: The bandwidth potential of installed fiber optic infrastructure is vast. While the terminal equipment (transmitters and receivers)



How Many Cores Do You Need in Your Fiber Optic

One key factor is the number of cores, which impacts how much data you can transmit. This post will guide you through understanding fiber optic cores



Outdoor Fiber Optic Cable Types: Complete Guide

This article summarizes the major outdoor fiber optic cable types and their distinguishing features. You can identify them with images.



Contact Us

For datasheets, pricing, or custom telecom energy solutions, please visit:
<https://koskolong.co.za>