



Adam Tas Corridor Energy

How to Choose Molded Cable Trays in Cameroon





How to Choose Molded Cable Trays in Cameroon



How to Choose the Right Steel Cable Tray for Your IT

Steel cable trays are essential in organizing & protecting electrical & IT cables. This guide helps you choose the right tray for your needs.

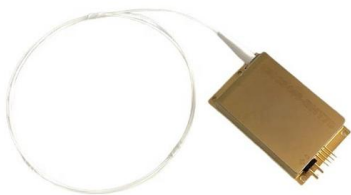
Cable Trays: How to Choose the Right Type for Your

With a variety of types and materials available, it is important to carefully consider the specific needs of your installation and choose the right



What are Cable Trays & Different Types of Cable Trays

Learn what cable trays are & explore the various types, benefits, and purposes. Gain insights into how electrical cable trays can revolutionize your



Types of Cable Trays and Their Applications

Cable trays are an essential component in modern infrastructure, having numerous use



cases in various industries. In this blog, we will discuss the

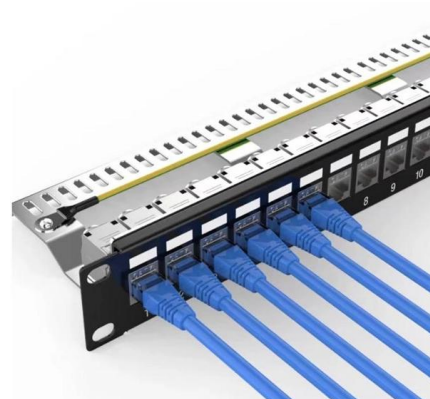


FRP Cable Tray: A Comprehensive Guide - Makewell

Conclusion FRP cable trays offer a reliable and efficient solution for cable management. By understanding the differences between FRP Moulded and

How to Choose the Right Cable Tray for Your Project?

Learn how to select the best cable tray for your project with insights on load capacity, corrosion resistance, customization, and common applications.



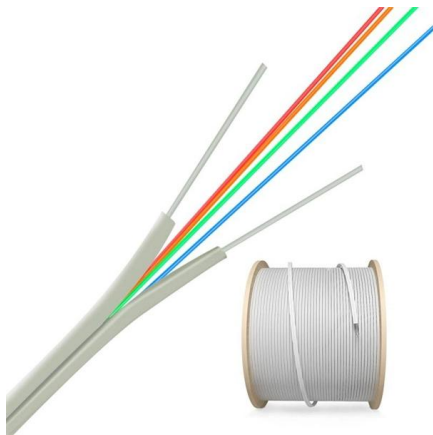
Ultimate Guide to Cable Tray Selection - Types,

Selecting the right cable tray is essential for safety, efficiency, and compliance with industry standards. This guide will help you choose the best



Cable Trays In Cameroon

We don't just sell cable trays; we provide exceptional service and expertise. Our team of qualified professionals can assist you with product selection, system design, installation support, and much



Ultimate Guide to Choosing the Best Cable Tray

A cable tray is a structural system designed to support and manage cables, wires, and conduits in diverse environments, from office buildings to

Cable Tray Supplier in Nigeria & Africa , Ned-Tech

Why Choose Ned-Tech? Wide Product Range - Perforated cable trays, ladder trays, trunking systems, wire mesh trays, and accessories. Durable Quality - Manufactured from galvanized steel, stainless



Top 7 Types of Cable Trays and Their Applications

Discover the top 7 types of cable trays including Ladder, Perforated, and Wire Mesh. Learn their applications and benefits for efficient cable



Cable Tray In Cameroon, Cable Tray Manufacturers Suppliers

Leading Cable Tray Manufacturers in Cameroon: Delivering Precision and Quality Looking to buy a Cable Tray in Cameroon? Jeetmull Jaichandlall (P) Ltd. is one of the trustworthy Cable Tray



100+ Essential Questions Answered About Cable Trays:

Discover over 100 expert answers about cable trays, covering key topics like material selection, load capacity, installation methods, and maintenance.



Master Cable Tray Installation: A Professional Step-by

Learn how to install cable trays for large-scale projects with our professional, step-by-step guide covering industry standards, safety protocols,



The Ultimate Guide to Selecting the Right Cable Tray for

In the intricate world of modern infrastructure and electrical systems, selecting the right cable management solution is pivotal to the success of any project. Cable





Cable Tray Types and Sizes

Explore various cable tray types and sizes for electrical installations. Learn about ladder, perforated, solid-bottom, wire mesh, and channel

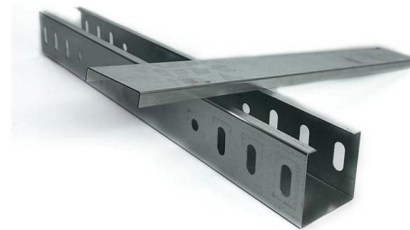


Cable Trays In Cameroon

Underfloor and overhead cable routing Call Us- Best Cable Trays Suppliers in Cameroon! Don't settle for just any cable tray system. Choose us- one of the prominent Cable Trays Exporters and Suppliers in

Types of Cable Trays: Ladder, Perforated, Basket, Solid

Explore all types of cable trays--ladder, perforated, basket, solid, and channel. Learn their uses, materials, pros, cons, and key differences.



Types of Cable Trays - Purpose, Advantages,

Cable tray is alternatives to wire ways and electrical conduits, which completely enclose cables. Study types of cable trays, purpose, advantages.



How to Select the Right Electric Cable Tray for Your Application

In this article, we go through the essential factors to consider when selecting the right electric cable tray for your application.



Ultimate Guide to Cable Tray Selection - Types,

Learn how to choose the best cable tray system for your needs. Explore types, materials, installation tips, and NEC compliance in this expert guide.

A Guide to Selecting Cable Trays for Engineering Design

Learn about the essential factors when selecting cable trays for engineering design. Understand load calculations, safety factors, material choice,



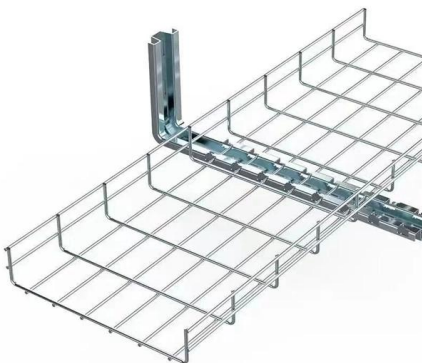
7 Types of Cable Trays: How to Choose the Right One

Cable tray systems are engineered support structures designed to route, support, and protect insulated electrical cables used for power distribution,



The Ultimate Guide to Selecting the Right Cable Tray for Your Project

In the intricate world of modern infrastructure and electrical systems, selecting the right cable management solution is pivotal to the success of any project. Cable trays, with their ability to



What Is A Cable Tray? 5 Types Of Cable Trays

A cable tray is a structural system used to support and manage electrical cables in various settings, such as industrial, commercial, and residential environments.

Contact Us

For datasheets, pricing, or custom telecom energy solutions, please visit:
<https://koskolong.co.za>