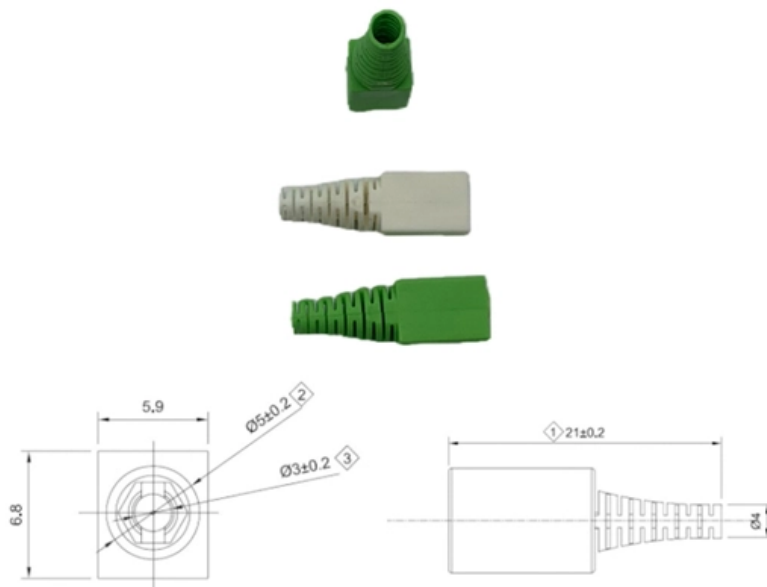




# How to configure a gateway on a switch s optical port





## How to configure a gateway on a switch s optical port

---

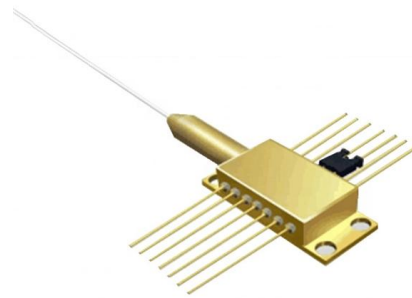


### ITPro Today, Network Computing, IoT World Today combine

ITPro Today, Network Computing and IoT World Today have combined with TechTarget . The page you are looking for may no longer exist.

### Marvell Technology, Inc. , Essential technology, done right

Designed for your current needs and future ambitions, Marvell delivers the data infrastructure technology transforming tomorrow's enterprise,



### Cox Panoramic WiFi Gateway Instructions , Manualzz

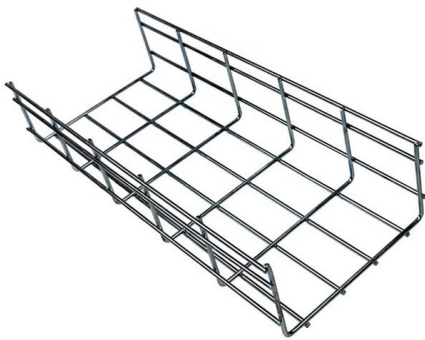
Learn how to set up your Cox Panoramic WiFi Gateway. These instructions cover connecting the gateway to your ONT, configuring your network, and

### Cisco Meraki Local Status Page: Overview

Accessing the Local Status Page Most Cisco Meraki devices have a local status page that can



be accessed to make local configuration changes, monitor device status and channel utilization,



### **SFP Transceivers in Action: Configure, Connect, and Monitor Traffic A**

This quick yet practical demonstration dives into the installation, configuration, and traffic monitoring of SFP optical and twisted-pair transceivers.

### **Pluggable Transceivers Installation Guide**

Holding the SFP module by its sides, insert the SFP module into the port on the switch. Slide the SFP module into the port until you hear it click. If the SFP module has a handle, push up on the handle to



### **How To Connect Cisco Switches With Fiber Super Fast!**

Let's connect a Cisco switch and router using fiber cables for faster speeds! This simple tutorial demonstrates how to insert optical transceiver modules into the sfp ports.



## How to configure Optical Line Terminal (OLT) and Omada Switch with

Add the port connected to OLT as a tagged port (Here is port 9), and add the port connected to the IPTV as an untagged port (Here is port 4). Configure the corresponding PVIDs for



## Network Devices

A switch is a high-speed networking device that connects devices (computers, printers, servers) within a Local Area Network (LAN), Unlike hub,

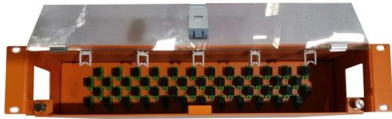
## HMS Networks

HMS creates products that enable industrial equipment to communicate and share information with software and systems. In short: Hardware Meets Software(TM).



## Cisco Catalyst PON Series Switches Hardware

Introduction to Passive Optical Network Ports  
PON Ports The PON ports use multi-source agreement (MSA) type UPC or SC-PC fiber connector.



## Cisco Products: Networking, Security, Data Center

Explore Cisco's comprehensive range of products, including networking, security, collaboration, and data center technologies



## Enterprise network configuration

Configure Claude Code for enterprise environments with proxy servers, custom Certificate Authorities (CA), and mutual Transport Layer Security (mTLS)

## Configuring Attributes for an Optical Interface

The configuration is automatically delivered to the new member switch without manual intervention. However, the new member switch takes a longer time to start than other member





## 24-Port Gigabit PoE+ Smart Switch with 4 SFP Ports

Connect devices to the RJ-45 ports (1-24) on the switch front panel. Use Category 5e (Cat 5e) Ethernet cables terminated with RJ-45 connectors to make Gigabit Ethernet connections. Connect one port on

## Cisco Nexus 9000 Series NX-OS Interfaces

When a switch port enters an error-disabled state, you can control how long the port remains disabled before the switch attempts recovery.



## How do I configure my switch to work with optical leased line?

Previously I had a router from Virgin that I plugged into my switch via an RJ45 which still works if I plug that into the switch. I know the fixed IP address and the subnet mask, default gateway,

## Assigning the Switch IP Address and Default Gateway

To start your switch, you need to follow the procedures in the Getting Started Guide or the hardware installation guide for installing and powering on the switch and for setting up the initial switch



## Adtran

Adtran is a leading global provider of open, disaggregated networking and communications solutions that enable voice, data, video and internet



## How to Use the XGSPON ONU Stick SFP+

It integrates the reception and conversion of fiber-optic signals, translating XGSPON or XGS-PON protocol signals into Ethernet output, which



## Network Switches

Cisco network switches deliver performance, flexibility, and security. Cisco switches are scalable and cost-efficient and meet the demands of hybrid work.



## How to use Ubiquiti SFP ports for fiber optic connections

This guide breaks down exactly how to use SFP ports on UniFi switches and gateways for fiber connections, what modules you'll need, and a few real-world tips that'll save you time and money.

190X95X25mm

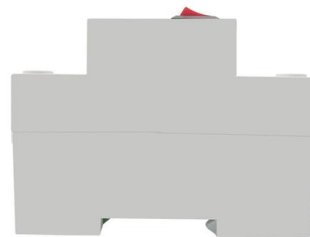


## Configuring the Switch IP Address and Default Gateway

This example shows how to configure two default gateways on a Catalyst 4000 family, Catalyst 2948G, or Catalyst 2980G switch, with one default gateway

## How to Use an ONT in a Fiber Network: A Beginner's

As fiber-optic internet becomes more widely available, the Optical Network Terminal (ONT) has become an essential component in homes and



## Contact Us

For datasheets, pricing, or custom telecom energy solutions, please visit:  
<https://koskolong.co.za>