



**Adam Tas Corridor Energy**

# **How to connect a small fiber optic cable to a switch**





## Overview

---

To connect your fiber optic line to an Ethernet-only network switch, you need a fiber optic-to-Ethernet converter box. I'm debating if MM or SM would be better as I'll be buying the 1g optics from fs. In this video, we'll delve into the world of fiber optics, exploring the reasons behind their necessity, introducing Fiber Switches and Fiber PoE Switches, guiding you through the selection of the right fiber optic cables, and demonstrating the physical connection process.



## How to connect a small fiber optic cable to a switch

---



### Installing 10 Gigabit SFP transceivers & fiber optic links between

This is a simple video showing how to install a 850nm fiber optic link using SFP transceivers between 2 10 Gigabit backbone switches. Covers transceiver installation, switch setup and link

### How To Connect Fiber Optic Cable Patch Panel

Fiber optic cables are becoming increasingly popular in the world of communication and networking, as they offer unparalleled performance and



### How Are Network Switch Connect To Fiber

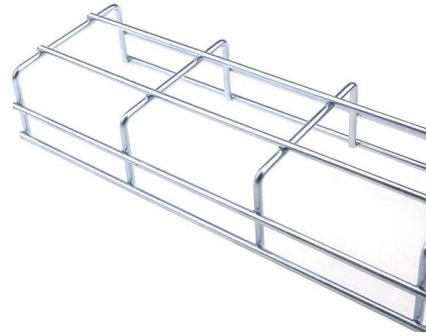
This article aims to provide a comprehensive understanding of how network switches are connected to fiber optic cables, the types of fiber optic

### How Are Network Switch Connect To Fiber

Learn how network switches connect to fiber optics for fast and reliable data transmission.



Understand the benefits and considerations of this



## Understanding Fibre Optic Cables & Types with Network Switches

This video provides a real world overview of using Fibre Optic cables in the data centres for connectivity between network switches and patch panels.00:09 Fi

## How To Connect Fiber Patch Panel To Switch

Fiber patch panels are important components that are used to help organize and protect fiber optic cables. Connecting a fiber patch panel to a switch is a critical



## How to Plug and Unplug Fiber Optic Connectors

Are you interested in seeing how fiber optic connectors get mechanically plugged into an adapter? This video goes over common types of connectors, their respective adapters, and how to properly



## How do you connect a switch to fibre?

By following these steps and considerations, you can effectively connect a switch to a fiber optic network, ensuring high-speed and reliable data transmission. Fiber



## How to connect a new optic fibre to an ethernet switch

The idea is to get a small switch in both the shed and in the garage too where the new optic fibre (in purple) would be plugged in. For information, the switch showed in the house (blue

## Connect Multiple Switches with Fiber Optic Cables

In this video, we'll delve into the world of fiber optics, exploring the reasons behind their necessity, introducing Fiber Switches and Fiber PoE Switches, guiding you through the

Ordering information

NO.	1	2	3	4	5	6
Model	SP-201	SP-402	SP-804	SP-1608	SP-3216	SP-6432
Product name	Patch Panel	Patch Panel	Patch Panel	Patch Panel	Patch Panel	Patch Panel
Illustration						
NO.	1	2	4	1	2	4
Maximum number of ports	144	288	576	1152	2304	4608
Product size (including module and adapter)	482.0*160.0*44.0	482.0*160.0*88.0	482.0*160.0*176.0	482.0*160.0*352.0	482.0*160.0*704.0	482.0*160.0*1408.0
Standard color code	SA13005	SA13005	SA13005	SA13005	SA13005	SA13005
Inventory	2	2	2	2	2	2

## How to Properly Install Fiber Optic Cable: A Step-by

After installation, thoroughly test the fiber optic connection to ensure that it is operational. This will assist you in identifying any issues early on and



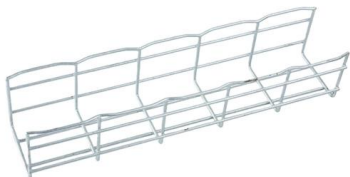
## How to Connect Fiber Optic Cable to Router: Top 5

Learn how to connect fiber optic cable to router with our step-by-step guide. Optimize your home network for speed and reliability!



## How Do You Connect a Fiber Optic Switch? , Networking - Sivo

Connect the fiber optic cable: Attach the fiber optic cable's connector to the transceiver module on the switch. Make sure the connector type (e.g., SC, LC) matches the transceiver module.



## Set Up a Fiber-Optic Network in Your Home or Office

Learn about the various fiber-optic components used for running fiber in your house, office, or between buildings. Find out how to use fiber optics for



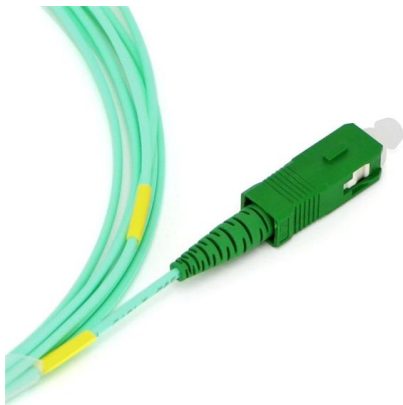


## Recommended Way to Connect Fiber Optic Line to an

Fiber optic cables are commonly used for core network lines and connections that must span long distances, such as those used by Internet service providers. This

## Application Guide: Connecting Fiber-ready Network

Most modern fiber-enabled network switches require an SFP transceiver module featuring a duplex (two strand) multimode OM3 or duplex single mode OS2



## How to Connect two PoE switch with fiber optical cable

Firstly, insert SFP module into media convertor and plug in the fiber optical cable. Next Connect the PoE switch with media convertor by using Ethernet patch cord.

## How to Connect Fiber Optic Cable to Router: A Step-by

However, setting up a fiber optic connection to your router can seem daunting if you're unfamiliar with the process. In this guide, we'll walk you through



### Recommended Way to Connect Fiber Optic Line to an

Set your fiber optic-to-Ethernet converter box in a location near your



### How to link two Network Switch with fiber cables

We can use either the cat6 cable or fiber optical cable to link two network switch. One of the advantages of fiber optical cable is its fast speed. In this v



### Connect Multiple Switches with Fiber Optic Cables

In this video, we'll delve into the world of fiber optics, exploring the reasons behind their necessity, introducing Fiber Switches and Fiber PoE Switches, guiding you through the selection of the





## Connecting Network Switches via Fiber

SFP transceiver modules are specific to the type of fiber being connected (either single mode or multimode). Choose an SFP module based on the fiber optic



## The ULTIMATE Guide to Fiber Optic Home Networking

Do you have a need to extend your home network around your property? Maybe you want reliable internet in the shed you turned into a work

## How To Connect A Fiber Optic Cable?

Conclusion Connecting fiber optic cables is a precise process that requires careful alignment, clean connectors, and proper testing to ensure optimal performance. Always ensure that



## Those who use fiber to connect switches together what do you use

I buy FS generic modules and recode as needed using the FiberBox. That being said, except for some older Aruba switches I have laying around that require specifically coded SFPs, typically I'd always



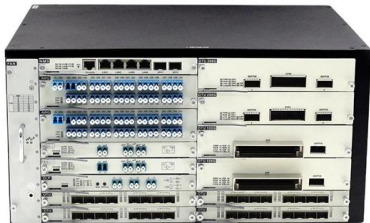
## Complete Guide to Fiber Optic Home Networking

Complete Guide to Fiber Optic Home Networking  
Fiber optic networks are the backbone of the internet's future. Unlike traditional copper-based



## NSComm Fiber Optic Patch Cable Installation

Why Proper Fiber Optic Installation Matters? In today's high-performance networks, fiber optic patch cables are the lifelines that ensure smooth data flow across switches, servers, and



## Fiber Internet Installation: Step-by-Step Guide (2026)

Fiber internet uses fiber optic cables instead of coaxial cables or metal wires to transmit data. Unlike traditional cable internet, which relies on





## How to Setup a Fiber Optic Home Network for MAXIMUM SPEED!

Beginner's introduction and guide on how to install and set up a Fiber Optic network cable in your home or office. Future-proof your setup, increase bandwidth and get faster, more reliable

### How to connect a new optic fibre to an ethernet switch

The objective is to run 1 or 2 additional optic fibre from the main switch down to the shed in the back of my garden and down to the garage as well. Here's a quick sketch to present the layout



## Contact Us

---

For datasheets, pricing, or custom telecom energy solutions, please visit:  
<https://koskolong.co.za>