



Adam Tas Corridor Energy

How to connect coated patch cords and fiber optic cables





How to connect coated patch cords and fiber optic cables



Optical fiber connector

Field-mountable optical fiber connectors are used to join optical fiber jumper cables that contain one single-mode fiber. Field-mountable optical fiber connectors are

Fiber Optic Patch Panel Guide

A fiber optic patch panel serves as a centralized, passive hardware enclosure that organizes, terminates, and protects fiber optic cables. It provides a static interface between structural



Fiber Optic Patch Cord Installation & Maintenance Guide

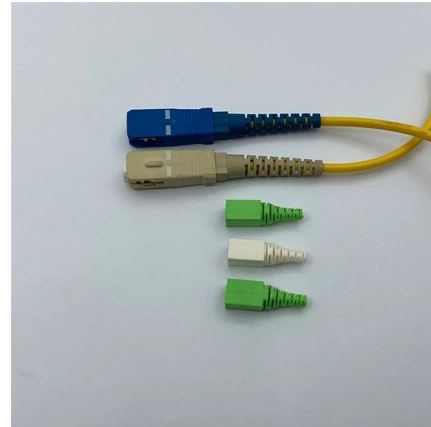
Learn expert-recommended methods for installing and maintaining fiber patch cords to ensure optimal performance, compliance, and long-term reliability.

NSComm Fiber Optic Patch Cable Installation

Follow NSComm installation guide to achieve high-speed, low-loss fiber connections. Learn



fiber optic types, materials, and installation best practices.



Fiber Optic Cable Assemblies , Fiber Patch Cords and

Fiber Optic Cable Assemblies Corning offers the most complete line of connectors and factory-terminated cables, from single-fiber cords to high-fiber-count cable

How to Install Patch Cords Correctly in Fiber Networks?

Technical guidance for installing fiber patch cords correctly, covering handling rules, bend radius, cleaning, routing, labeling, and connector management.



How To: Install Fiber Optic Cable for Success - trueCABLE

In this comprehensive guide, we'll walk through the best practices for installing various types of fiber optic cable, from patch cords to distribution fiber,

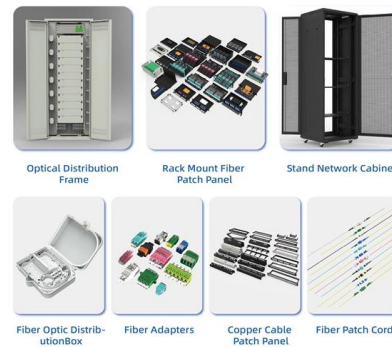




Online Bulk Cable Company , CableWholesale

As a premier online bulk cable company, CableWholesale carries a large inventory of computer cables, USB, HDMI, fiber optic, VGA cables, and more. Shop now!

An Extensive Library of Self-Developed Products



Installation and termination of fiber patch cords

By following these steps and tips, you can ensure that your fiber patch cords are properly installed and terminated, providing reliable and efficient signal transmission in your optical fiber

Management of patch cables in integrated wiring

This guide outlines the key steps and considerations for effective cable management in fiber optic systems.



Select The Right Fiber Patch Cables For 1G/10G/25G

Deploying optical modules requires the right fiber patch cable. It directly affects network connection stability, performance, and maintenance. This



How to Make the Fiber Optic Patch Cords?

Producing high-quality fiber optic patch cords involves precise steps and procedures. This comprehensive guide will walk you through the entire process of making



Fiber Optic Patch Cord Manufacturer Guide for Network Buyers

Product Parameters B2B Buyers Should Confirm For fiber optic patch cord manufacturer, the buyer should confirm connector type, single mode or multimode fiber, polish type, cable diameter,



Ultimate Guide to Fiber-Optic Patch Cables: Types, Selection, and

Learn about fiber optic patch cables, their types, construction, applications, and how to choose the right one for your network needs.





Fibre Patch Cable Installation Tips and Techniques

A professional-grade fibre patch cable installation depends not just on product quality, but on how the cables are routed, terminated, labelled, and tested. By

HOW TO PATCH FIBER PATCH CORDS

Step1 : Identify the optical cabinet and network operating center, and find the fiber optic splitter.
Step 2: Identify the splitter number. Step 4: Find the optical fiber port and cable sequence that leads to the

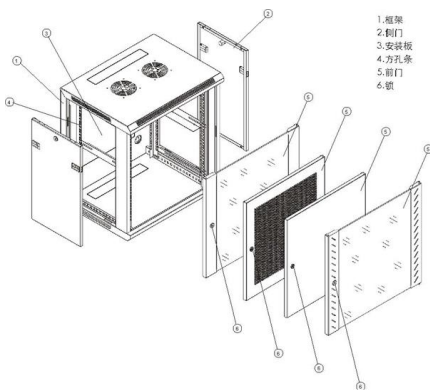


Fiber Optic Patch Cord

Fiber Optic Patch Cord In this category, you will find various duplex and simplex LC/SC/FC/ST/Uniboot LC/MDC fiber optic patchcords, which are used to connect

Fiber Optic Color Code Explained: Jacket, Connector

Understand fiber optic color codes with this complete guide. Learn about jacket colors, buffer color standards, connector IDs, and practical visuals.



Fiber Optic Patch Cords & Pigtails Selection Guide

Learn how to pick the right fiber optic patch cord or pigtail. Avoid installation errors. Based on 12+ years of field experience. Step-by-step guide

LC Fiber Patch Cables , Singlemode & Multimode with

LC patch cords use Lucent Connectors, a form-factor fiber optic cable connector. Fiber LC connectors are reliable and boast high-performance, making them a top



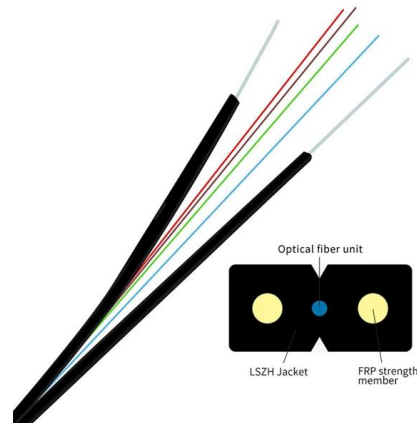
How Fiber Optic Patch Cords Are

In the backbone of modern connectivity, fiber optic patch cords are unsung heroes, enabling lightning-fast data transmission in data centers, telecom networks, and industrial systems. At Weunion



Multimode Fiber Optic Patch Cables

AR-coated and uncoated fluoride fiber optic patch cables are also available for mid-IR use, solarization-resistant cables for ultraviolet use, AR-coated SMA cables for fiber-to-free space applications,



tajikistan-double-sheathed-flame-retardant-optical-cable-model

17 suppliers for tajikistan-double-sheathed-flame-retardant-optical-cable-model
Manufacturer/Producer Find wholesalers and contact them directly B2B marketplace Find companies now!



Patch cable

A patch cable, patch cord or patch lead is an electrical or fiber-optic cable used to connect ("patch in") one electronic or optical device to another for signal routing.



Search

Search Up to 36% lower carbon footprint than standard plastic cable ties Globally, only 9% of plastic waste is recycled, and by 2050, up to 12 billion tons could pollute our landfills, waterways, and



How to correctly install fiber optic patch cords

Yingda outlines the tools and materials needed to install fiber optic patch cords, as well as a complete step-by-step installation guide and important

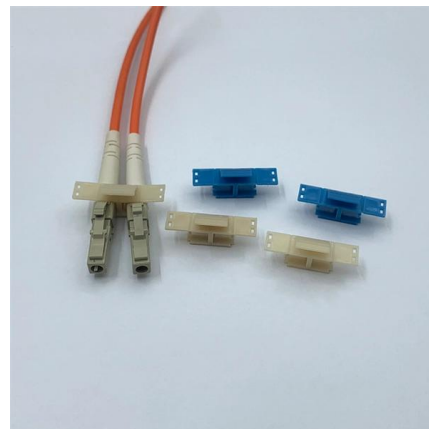


How to choose fiber optic pigtails?

Fiber optic patch cords are usually jacketed, while fiber pigtails are usually unjacketed. Since fiber pigtails are usually spliced and protected such as in a

paraguay-optical-cable-communicati on-pipe-wholesale-price

We are your specialist for fiber optic cables and custom cable assemblies. With us, you will receive ready-to-connect fiber optic cables in any required configuration, with all connector types and Other



Contact Us

For datasheets, pricing, or custom telecom energy solutions, please visit: <https://koskolong.co.za>