



**Adam Tas Corridor Energy**

# **How to handle fiber optic distribution boxes**





## How to handle fiber optic distribution boxes

---

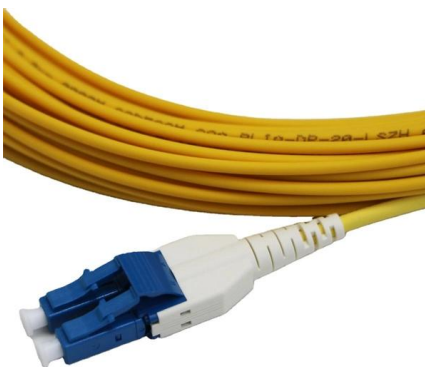


### Fiber Termination Boxes: A Beginner's Guide to

In the dynamic landscape of modern communication, Fiber Termination Boxes (FTBs) play a pivotal role in ensuring the efficiency and

### The Ultimate Guide To Choosing The Right Fiber

Single-mode optical fiber is used extensively for fiber optic communication today as it has virtually unlimited bandwidth capacity. As the



### The Technical Specifications for Fiber Distribution Boxes

The fiber distribution box, a crucial component in optical fiber networks, serves a dual purpose of managing and protecting optical fibers while facilitating

### The Functionality of a Fiber Distribution Box

Termination or Distribution: The distribution box may terminate optical fibers, converting them



into individual connections that can be accessed by end-users. Alternatively, it may distribute



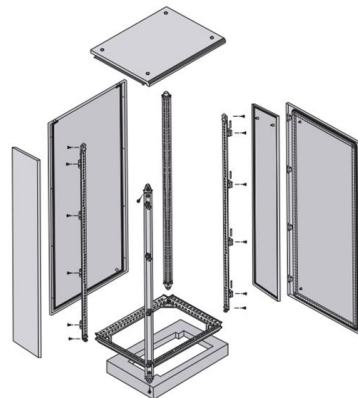
### Fiber Optic Distribution Box A Complete Guide

FDBs handle complex routing. Junction boxes are for simple links. How to Choose the Right Fiber Distribution Box Picking an FDB depends on three factors: 1. Capacity Needs · Count current fibers. ·



### What is a Fiber Distribution Box?

A fiber distribution box, also known as a fiber termination box or fiber optic distribution box, is an enclosure designed to connect, protect, and manage



### Fiber Optic Distribution Boxes: The Key to Seamless

Why Fiber Optic Distribution Boxes Matter Fiber optic distribution boxes act as the connection points for incoming fiber optic cables, enabling easy distribution to





## Understanding Fiber Optic Junction Boxes: A Comprehensive

8. Conclusion In conclusion, fiber optic junction boxes are indispensable components in modern communication networks.



## An In-Depth Exploration of Fiber Optic Distribution

The article categorizes the various types of fiber optic distribution boxes--including wall-mounted, rack-mounted, outdoor, and dome-shaped designs--each

## How To Use Fiber Distribution Box?

A fiber distribution box, also called a fiber termination box, is a protective enclosure that connects fiber optic cables from the service provider to



## Optical Cable Distribution: Efficient How-To Guide

Learn how to efficiently manage and distribute optical cables using a fiber distribution box. Explore protective sheath and organized distribution.



## 6 Must-Know Insights on Fiber Distribution Box

The FDB typically includes adapters and splice trays to facilitate the connection and splicing of optical fibers. It may be wall-mounted or pole-mounted



## WORLD WIDE WEB JOURNAL Home

will open to start the export process. The process may take but once it finishes a file will be downloadable from your browser. You may continue to browse the DL while the export process is in

## What are the fiber optic cable routing rules in a Fiber

It is ideal for harsh environmental conditions. Conclusion Proper fiber optic cable routing in a Fiber Distribution Box is essential for the optimal





## Choosing the Right Fiber Optic Distribution Box for Your

Selecting a fiber optic distribution box with the right number of ports and fibers is crucial. The number of ports determines how many connections the

## Fiber Optic Distribution Box FAQs

A Fiber Optic Distribution Box is a device used for fiber optic cable joint fusion, connection and distribution. It can easily connect multi-core and single-core fiber

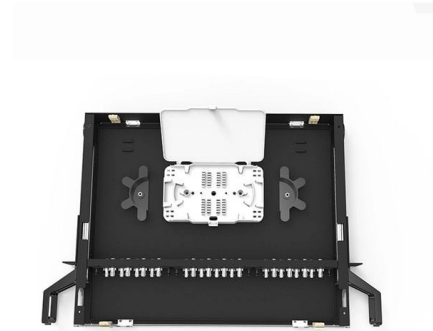


## What's Inside a Fiber Distribution Box? Let's Break It Down!

Conclusion Fiber Distribution Boxes are indispensable in the realm of fiber optic networking, providing not just connectivity but also protection and management of one of the most critical aspects of

## How to Use Fiber Distribution Box: A Comprehensive

By following these guidelines, you'll be able to successfully install, maintain, and troubleshoot fiber distribution boxes across a wide range of



## The Role and Function of Fiber Optic Distribution Boxes

A fiber optic distribution box, also known as an FDOT box, is a key component in fiber optic network infrastructure. It is an enclosure that houses interconnections between main feeder cables and



## The Types of fiber Optical Terminal Boxes and How to

Fiber Optical Terminal Boxes, also known as fiber distribution boxes, are used in fiber optic networks to connect optical fibers. These boxes are



## Wiley Online Library , Scientific research articles, journals, books

Hier sollte eine Beschreibung angezeigt werden, diese Seite lässt dies jedoch nicht zu.



## Fiber Distribution Box Basics

Conclusion Fiber distribution box is an important component in fiber optic communication networks, playing a central role in organizing, managing,



## Fiber Optic Distribution Box A Complete Guide

A fiber optic distribution box (FDB) is a protective enclosure for managing fiber optic cables. It organizes connections, splices fibers, and distributes signals in networks like FTTH (Fiber-to-the-Home) or

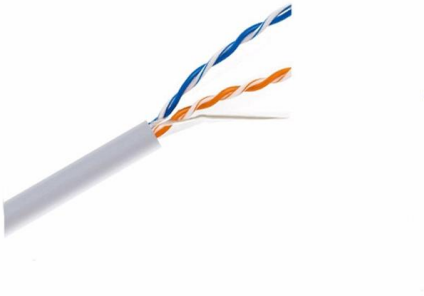
## Basics of Fiber Optic Distribution Box

Its primary function is to provide safe and reliable connection, distribution, and management of optical fiber cables. Installed in various indoor



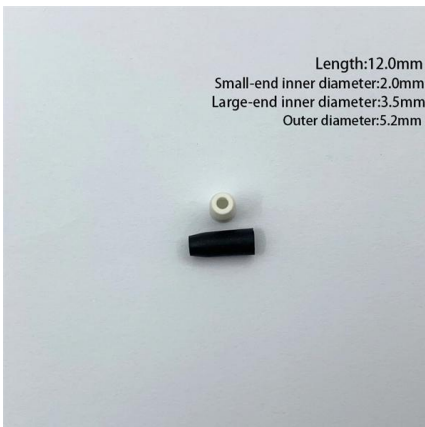
## Fiber Distribution Box Basics

With its advanced features like cable management, splice protection, and environmental sealing, it ensures reliable and efficient network operations.



## The Functionality of a Fiber Distribution Box

Explore how a fiber distribution box works, efficiently organizing and managing fiber optic connections to ensure seamless data transmission in network setups



## How To Use Fiber Distribution Box?

Follow these steps when using fiber distribution box for optimal performance: Indoor vs. Outdoor  
- Choose an indoor or outdoor unit suited to the

## The Role of Fiber Optic Distribution Boxes in Optical Networks

The distribution boxes can divert and reroute optical signals to different endpoints in buildings, cell towers, remote units, or customer premises. This facilitates efficient signal distribution





## **Fiber Box Solutions for FTTH: Key Functions,**

A clear guide to fiber box solutions in FTTH and ODN networks. Learn how fiber boxes support splitting, routing, and efficient deployment for

## **Contact Us**

---

For datasheets, pricing, or custom telecom energy solutions, please visit:  
<https://koskolong.co.za>