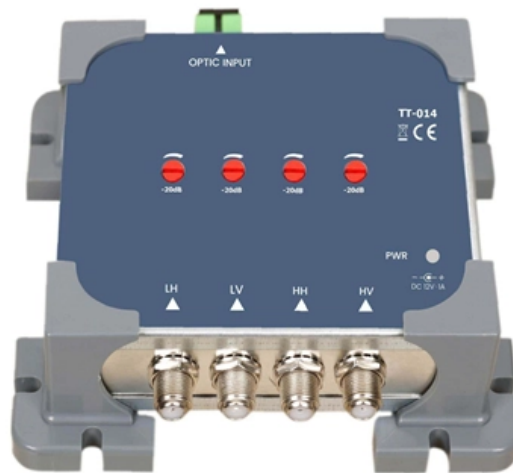




Adam Tas Corridor Energy

How to install a UPS cable tray





How to install a UPS cable tray

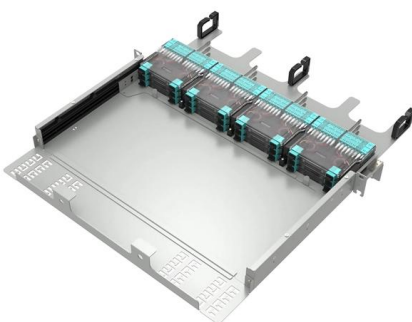


Method Statement for UPS System Installation

Installation of Cable Tray for pulling cables shall be carried out by coordinating with other system services as per approved shop drawings. Prior to pulling of cable,

How to install Cable Trays - Best Guide in 2026

Step-by-step on-site guide: learn how to plan, mark, support, and install cable trays correctly, from shop drawing approval to final checks.



UPS Installation & Setup Guide , SecurePower

Learn how to install a UPS correctly. From choosing the right location to compliance with UK regulations, get expert installation and setup guidance.

How To Install A Power Cable On A Hardwire Battery Backup UPS

How To Install A Power Cable On A Hardwire Battery Backup UPS. In this video, a NEMA



L6-20P (plug, 208 volts, 30 amps, twist lock, 2 hots, 1 ground) power co

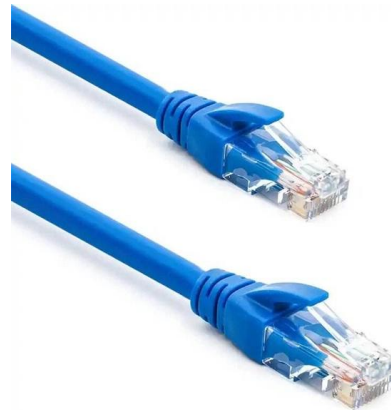


Master Cable Tray Installation: A Professional Step-by

Learn how to install cable trays for large-scale projects with our professional, step-by-step guide covering industry standards, safety protocols,

"UPS Wiring at Home , Easy Step-by-Step Guide" , "How to Wire UPS

"Learn how to wire a UPS (Uninterruptible Power Supply) at home with this easy-to-follow tutorial. We'll show you how to install and connect your UPS step-by-step.



WebiTelecomms Cabling

Installation Procedure

Connect the Power Cables from the UPS. Install and Connect the Batteries. Final Installation.



How to Plan A Rackmount UPS Installation

The UPS and battery trays themselves will typically sit on runners provided by the UPS manufacturer. Critical Power Distribution Uninterruptible



Installation, connection and sizing of cables with UPS

Ready-to-use UPS units The low power UPSs, for micro computer systems for example, are compact ready-to-use equipment. The internal wiring is built in the factory and adapted to the

How to Install Uninterruptible Power Supply: A Step-By

In my daily life, I've come to realize just how essential an uninterruptible power supply (UPS) is, whether it's at home or in my workplace. Our world is



How to Mount a UPS System in a Rack Enclosure with 4-Post

How to Mount a UPS System in a Rack Enclosure with 4-Post Mounting Rails Eaton 189K subscribers [Subscribe](#)



Cable Tray Installation

Whether you're building a commercial setup or upgrading an industrial plant, proper cable tray installation ensures neat wiring, safe access, and easy maintenance. But before you lay the first tray



A Guide to Installing and Supporting Electrical Cable Trays

A professional guide to installing electrical cable tray systems per NEC Article 392. Covers support, securing cables, and fill calculations.



Installation, connection and sizing of cables with UPS

When routing cables, care must be taken to maintain the required distances between control circuits and power circuits, to avoid any disturbances caused by HF currents. Temperature





Installing a UPS (Rack-Mounted Scenario)

Reserve 44 mm space between the lithium battery positive and negative ports and the cabinet edge for installing battery power cables. It is recommended that the BBB box be installed behind the lithium

How to Install cable tray Practical Skills

According to the National Electrical Code (NEC), a cable tray is a unit or assembly of units or sections and associated fittings forming a rigid structural system used to securely fasten or



How to Install a UPS: Step-by-Step Guide

Install your UPS correctly with our step-by-step guide. From unboxing to testing, learn how to set up your backup power system safely and efficiently.

How to Set Up an Uninterruptible Power Supply (UPS)

A simple guide to setting up an uninterrupted power supply (UPS). Often called an uninterruptible power supply used for gaming, SMEs and commercial offices.



Mastering Cable Tray Installation , Step-by-Step Guide for a Seamless

Mastering cable tray installation is crucial for creating a safe, organised, and efficient cable management system. By following this step-by-step guide, you can ensure a seamless setup that



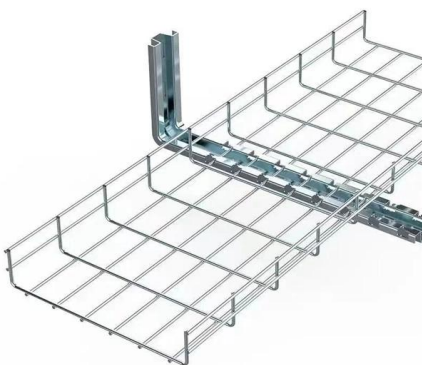
"UPS Wiring at Home , Easy Step-by-Step Guide" , "How to Wire UPS

"Learn how to wire a UPS (Uninterruptible Power Supply) at home with this easy-to-follow tutorial. We'll show you how to install and connect your UPS step-by



Best practice guide to cable ladder and cable tray

Cable ladder and cable tray systems The following recommendations are intended to be a practical guide to ensure the safe and proper installation of





How To Install Cable Tray On Wall: A Step-By-Step Guide

Learn how to install a cable tray on a wall with this comprehensive guide. Step-by-step instructions, tools needed, and safety tips included.



Contact Us

For datasheets, pricing, or custom telecom energy solutions, please visit:
<https://koskolong.co.za>