



Adam Tas Corridor Energy

How to install a splitter in a computer room





Overview

Start by separating your Ethernet cable into two separate cables and connecting them to the back of the Ethernet cable splitter. This tool works best in basic setups where running another cable is not possible. What would be a good solution for a permanent installation that allows us to just plug in the PC's in the technical room, and then get all necessary outputs to the living room?

Any cables between the rooms needs to be terminated in the wall in the technical room and in a floor box below the dining. While the concept sounds simple, there is often confusion around how Ethernet splitters work, what they can realistically do, and when they should be used instead of other networking. Before setting up a LAN splitter, you need to choose the right one for your needs.



How to install a splitter in a computer room

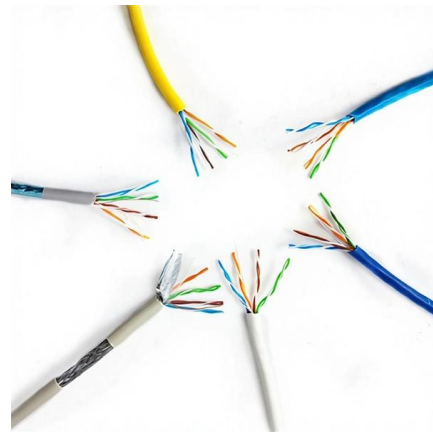


What is a Splitter? How does it work? Where do we use it?

Learn what a splitter is with this comprehensive guide, including how it works, where we can use them in 2026 and the difference between switches and

Ethernet Splitter vs. Switch: What's the Difference?

What Is an Ethernet Splitter? An Ethernet splitter is a simple device with three Ethernet ports on it. The idea is to allow you to run two Ethernet



Ethernet Splitters 101: Everything You Need to Know

To make this simpler, let's imagine your modem or router is in one room, and you need to connect two devices in another. You only have one Ethernet cable running between those rooms. Instead of

I want to have my PC accessible from two different rooms. I was

My issue is with splitting them between rooms. Is there a hub or switch I could use to change



between the bedroom and living room? I was hoping to run one pair out from my computer and make some



How to Use an Ethernet Cable Splitter: The Ultimate

Learn how to efficiently split an ethernet cable using a splitter with this ultimate guide. Connect multiple devices using a single network cable.

How to Install a 2 Way Coaxial Splitter: A Step-by-Step Guide

Installing a 2-way coaxial splitter is a simple yet crucial step when it comes to setting up a home entertainment system or establishing a cable TV network.



How to Install a Split System Air Conditioner: 15 Steps

Follow this step-by-step guide to install a split system air conditioner, ensuring a cool and comfortable home with energy-efficient and quiet operation.



How to Set Up a Sound Splitter: A Step-by-Step Guide

If you're looking to enhance your audio experience or share it with others, a sound splitter is a valuable tool. Whether you want to connect multiple headphones to your device or split audio



How to wire for separate room PC's

What would be a good solution for a permanent installation that allows us to just plug in the PC's in the tecnical room, and then get all necessary outputs to the living room?

How do I setup a LAN splitter?

Setting up a LAN splitter is a simple process that can help you increase your network capacity and flexibility. By following the steps outlined in this article, you can easily set up a LAN



How to Install a 4 Way Splitter for Cable TV: 13 Steps

four-way splitter and ends to secure to the cable, of these they are various types. The ends are referred to as F59 type and they can be either



How-to Make Your Own Ethernet "splitter"

How-to Make Your Own Ethernet "splitter": With an Ethernet "splitter", you can simultaneously connect two computers (or other network devices) on one



How To Setup Multiple HD Displays Using an HDMI Splitter

High Definition Multimedia Interface (HDMI) signals are transmitted through HDMI cables made for use with Bluray, DVD, etc., high-resolution video feeds. These



- ✓ TELECOM CABINET
- ✓ BRAND NEW ORIGINAL
- ✓ HIGH-EFFICIENCY



How to use a cable splitter for TV and Internet?

Understanding Cable Splitters A cable splitter, technically a passive RF (Radio Frequency) distribution device, takes a single incoming coaxial cable



How do I setup a LAN splitter?

How Do I Setup a LAN Splitter? A LAN (Local Area Network) splitter is a device that allows you to split a single Ethernet connection into multiple connections, enabling you to connect

How to Create a Multi-Room TV Setup Using an HDMI

If you use an HDMI splitter for multiple TVs, think about the remote control. With a modulator or splitter, the source box remains in one room, so you'll need an



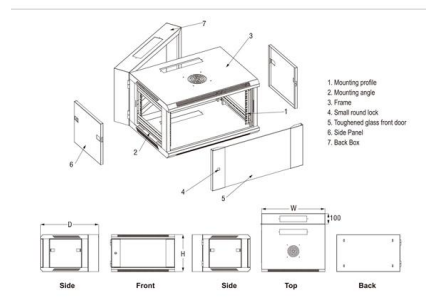
Ethernet Cable Splitter Wiring Diagram

In this article, we'll discuss what an Ethernet cable splitter is and how it works. We'll also provide an overview of the different types of Ethernet cable



Ethernet Splitter 101: Everything You Need to Know

Everything you need to know about Ethernet splitters, including



Contact Us

For datasheets, pricing, or custom telecom energy solutions, please visit:
<https://koskolong.co.za>