



Adam Tas Corridor Energy

How to lay fiber optic cables in a factory





How to lay fiber optic cables in a factory



pybitcoin/pybitcoin/passphrases/english_words.py at master · stacks-

A Bitcoin python library for private + public keys, addresses, transactions, & RPC - stacks-archive/pybitcoin

Fiber Optic Patch Cable, Fiber Optic Patchcord US Conec MTP-MTP F

Reliable FO Cable Patchcord 12C OM4 Type-B OFNP 1m Corning - OFNP jacket, OM4 fiber ensures advanced performance. standards compliant. Contact us.



WORLD WIDE WEB JOURNAL Home

will open to start the export process. The process may take but once it finishes a file will be downloadable from your browser. You may continue to browse the DL while the export process is in

COLEMAN OPENS BILLION DOLLAR FIBRE OPTIC CABLE FACTORY

An oil and gas service company, Coleman Technical Industries Limited (CTIL) on Friday



opened its multi-billion-dollar fibre optic cable manufacturing factory, hoping to take advantage of the



The Ultimate Guide to Starting a Fiber Optic Cable Factory

Fiber optic cables are the backbone of modern optical communications, facilitating high-speed data transmission across vast distances. With the demand



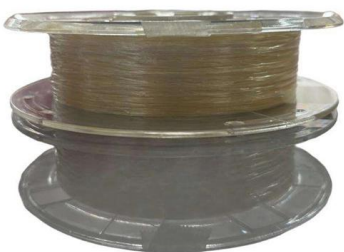
OPTICAL FIBRE CABLES INSTALLATION GUIDE

The objective of this document is to be an optical fibre cable installation and laying guide, addressed to new installers, also being useful as a reminder to experienced installers.



Optical Fiber Cable Installation Guideline

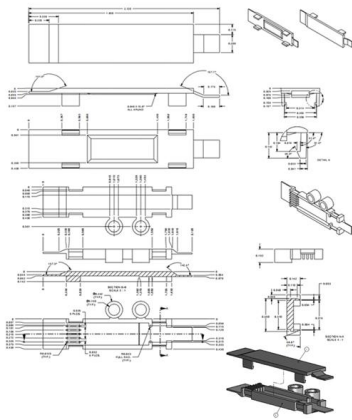
In order to effectively pull cable without damaging the fiber, it is necessary to identify the strength material and fiber location within the cable. Then, use the method of attachment that pulls most





Instagram

Compact 4-port design:Saves desktop space, perfect for small installation environments. Pre-assembled pigtail option:Can be factory-terminated with pigtails for plug-and-play use, reducing on-site labor



75 Meter Multimode Duplex Fiber Optic Cable (62.5/125)

Brand: Ultra Spec Cables Color: Orange OM1 Multimode Features: Corning fiber and cladding PVC Zip Cord, OFNR Jacketing Pre-terminated with connectors on both ends 100% inspected and tested for

Fiber Optic Network Construction

Learn how fiber optic network construction works--from site survey and permits to aerial vs underground fiber cable installation, splicing, and FTTH



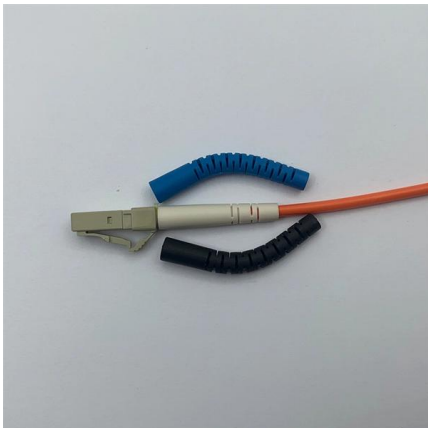
2 Meter Multimode Duplex Fiber Optic Cable (62.5/125)

Features Ultra Spec Cables' Fiber Optic Cables are pre-terminated with LC to ST Connectors, so they are ready for deployment in any Faster Ethernet Network environment. Our cables are manufactured



A Step-by-Step Guide to Fiber Optic Cable Installation

In our digital age, high-speed internet and reliable communication networks are powered by fiber optic cables, which



FOA Standard For Installing Fiber Optic Cable Plants

The type of fiber optic cable and the fibers in the cable should be chosen appropriate for the type of communications system(s) being supported, the type of installation and the environment in which the

Guide to the Construction of Optical Fiber Cable Factories

Before starting the construction of an optical fiber cable factory, careful planning and designing of the factory layout are necessary. This includes determining the





RiteAV 12 Meter 40Gb OM4 Multimode Duplex Fiber Optic Cable

Our cables are manufactured using laser optimized multimode Corning Optical Fiber and OFNR Rated PVC Zipcord jackets which are lightweight flexible and non-flammable. Each cable is factory tested

Fiber Optic Cables Installation Process for Warehouses

This article will guide you through the detailed steps involved in installing fiber optic cables in a warehouse, providing insights that can save time, reduce costs, and enhance overall efficiency.



10M Multimode Duplex Fiber Optic Cable (50/125)

Our cables are manufactured using Corning Optical Fiber and OFNR Rated PVC Zipcord jackets which are lightweight flexible and non-flammable. Each cable is factory tested for insertion and return loss

How to Install Fiber Optic Cable: A Comprehensive Guide

Learn how to install fiber optic cable with Network Drops' easy step-by-step guide. Follow the process for quick and effective results.



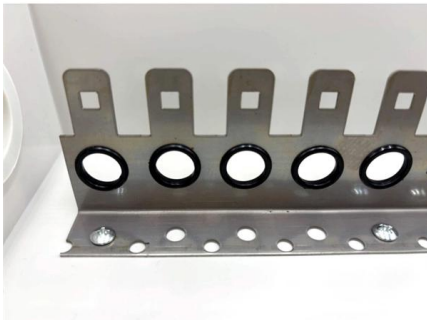


Several Types of Fiber Optic Cables for 5G Networks

Micron diameter fiber optic cables play a pivotal role in enabling higher fiber density and supporting the demands of 5G networks, which require robust,

The Ultimate Guide to Starting a Fiber Optic Cable Factory

With the demand for advanced digital connectivity on the rise, setting up a fiber optic cable factory is a strategic move to tap into this growing market.



Fiber Optic Patch Cable, Fiber Optic Patchcord US Conec MTP-MTP

Built for networks - FO Cable Patchcord 12C OM4 Type-B OFNP 30m Corning. commercial grade, OFNP jacket, OM4 fiber. Add to cart.

The FOA Reference For Fiber Optics

Before one can begin to design a fiber optic cable plant, one needs to establish



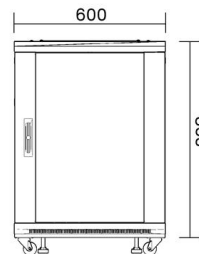
[unsupervised_topic_modeling/topics/en/15/50/100/topics](#) at

Contribute to [annontopicmodel/unsupervised_topic_modeling](#) development by creating an account on GitHub.



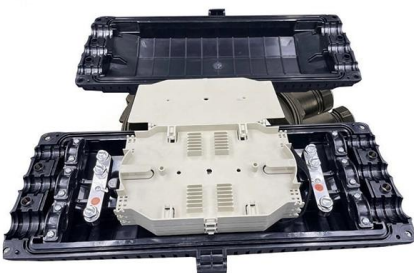
The Complete Guide to Fiber Optic Cable Manufacturing: Powering

At Sinoptec, our advanced manufacturing processes ensure each fiber meets rigorous industry standards for telecommunications and enterprise networks. Multi-mode fiber, with its larger



OPTICAL FIBRE CABLES INSTALLATION GUIDE

General. In any cable deployment, whether it is optical fibre or any other type of cable, it should be considered the considerable number of tasks related to the manipulation and laying of the cable.





Contact Us

For datasheets, pricing, or custom telecom energy solutions, please visit:
<https://koskolong.co.za>