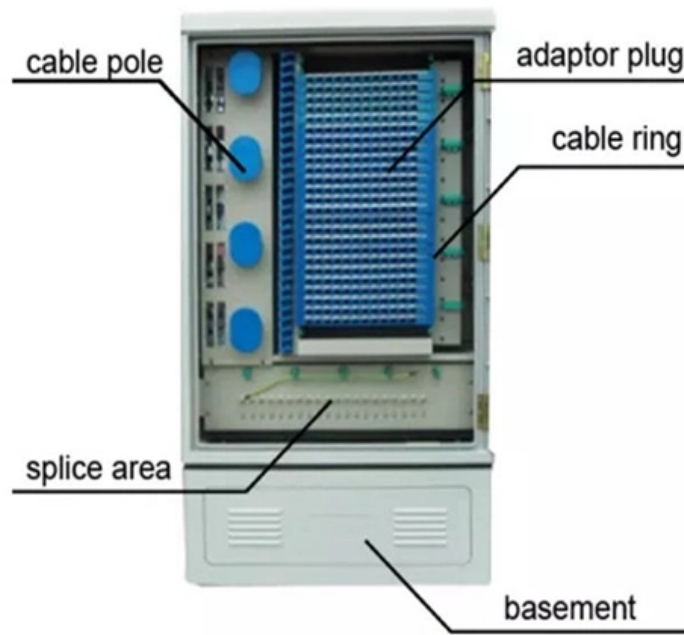




How to make a front-end cable tray





Overview

First, gather sturdy materials like metal or plastic, along with tools like a saw and drill. Measure your area to determine the tray size, then assemble it by connecting side and end panels securely. What is Cable Tray Design and Wiring Planning?

At its heart, Cable Tray Design, Layout means choosing and. My criteria for design and build were that this piece should be: Based on my criteria, I came up with the concept of a simple long wooden trough that could be screwed to. Today we make front L nintyTrunking size 7×7cmL ninty formula 7cm 7cmplease support me friendsLike share and comment and subscribe my channel#immu_tray_and_t. So I decided to make a wooden cable management shelf that attaches to my desk to hold the power supplies and keep the cables off the floor.



How to make a front-end cable tray



Easy step to make 45 degree offset cable tray/Pipe and Air duct

How to make 45° degree OFFSETS cable tray (50mm depth) Practical Tutorial 2 Calculating a 45 degree offset piping system / Tradestutor

How to install a cable tray and wire mesh tray to a wall

Cable trays are attached to wall support YPK with M6x30 screws and M6 nuts. 00:32 Wire mesh tray Joint WMT CL is used to attach wire mesh tray to the wall support YPK.



Make a 90 Bend in Electrical Cable Tray

The Easy Guide to How to make a 90 electrical cable tray bend to measurement of your choice. Great if you are new or just forgot how to do it, this easy

Cable Tray Design, Layout, and Overall Wiring Planning

Learn about effective Cable Tray Design and Layout for electrical systems. Our guide covers



planning, material choice, safety, and maintenance.



DIY Installation: Mastering Light Duty Cable Tray Setup

Explore our comprehensive DIY guide to master the installation of light-duty cable trays. From planning to cable organization, follow step-by-step instructions for a tidy and efficient cable



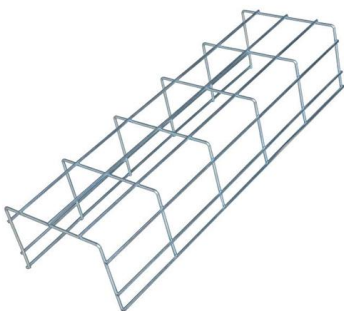
Cable Tray Trunking & Ladder Installation Method for

Make cable tray, trunking and ladder connections using standard fittings. Cable tray and trunking will be installed with enough space to permit access for installing



Best practice guide to cable ladder and cable tray

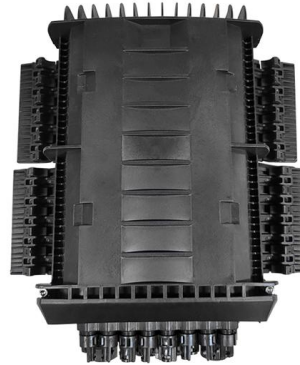
Cable ladder and cable tray systems The following recommendations are intended to be a practical guide to ensure the safe and proper installation of





Master Cable Tray Installation: A Professional Step-by

Learn how to install cable trays for large-scale projects with our professional, step-by-step guide covering industry standards, safety protocols,



Make a (45-45) 90 Gusset Bend in Electrical Cable Tray In One Piece

How to make a 90 electrical cable tray bend to measurement with a gusset of your choice using one piece of tray. Great if you are new or just forgot how to do it, this easy to follow guide makes

How To Use Cable Tray Architecture To Finish A Wall?

This guide provides step-by-step instructions on installing a cable tray on a wall, covering different types of cable trays, tools needed, and safety tips.



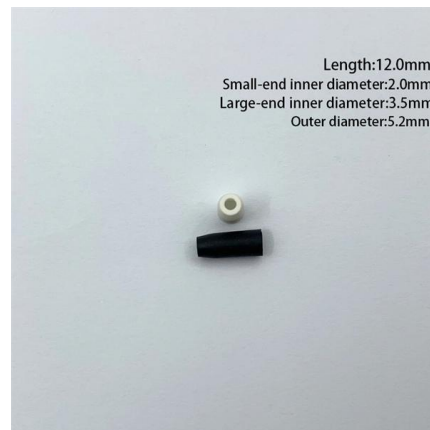
Cable Tray Manufacturing: A Simple Guide to the Process

Don't worry; this guide covers everything you need to know about the manufacturing process, types of cable trays, and why they are important for any



Complete cable tray manual for electrical engineers and

Complete cable tray manual for electrical engineers and designers (on photo: power cable management ladder tray systems assembled aluminum cable tray ladder)



How to Install Cable Tray: A Comprehensive Guide to Different Cable

Welcome to our step-by-step guide on installing cable trays! In this video, we'll explore the different types of cable trays available and provide detailed instructions for their installation.



Trunking and cable tray front L 1st time we make front L

Today we make front L ninty Trunking size 7x7cm L ninty formula 7cm 7cm please support me friends Like share and comment and subscribe my



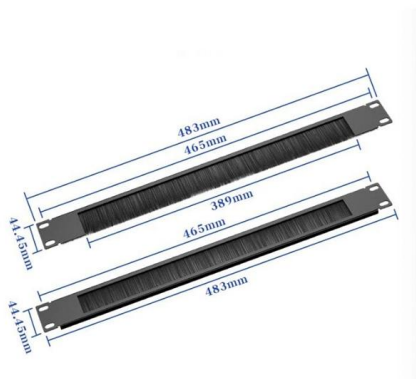


Cable Tray Technical Guide A practical guide to product selection and

Cable Tray Technical Guide A practical guide to product selection and installation This guide for engineers and installers has been developed by ABB as a practical reference regarding cable tray

Tutorial: Building a Custom Cable Tray

Unlock the secrets to building a custom cable tray that enhances organization and style--discover essential tips and creative ideas to elevate your



Cable Management Shelf : 5 Steps

After adding the power strips and laptop bricks on the shelf and snaking out the cables, I marveled at how seamless the shelf looks. It has enough holes for direct

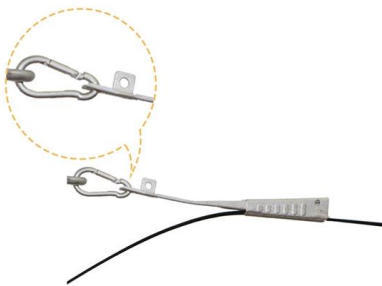
Cable tray install , Information by Electrical Professionals for

The design calls for four 12" cable trays vertically stacked with a concrete wall on one side. The trays are 6" apart with the bottom tray being 5'-0" above the finished floor.



Bending Cable Tray

You can buy a manufactured 90 degree bend or make one on a cable tray bending machine but in this video I show you how to make one using a metal bar.



DIY Cable Carrier Tray , WoodWorkerB

Keep cables neat and out-of-the-way of moving parts to avoid damage, jams and other frustration. Here is a simple DIY approach using common materials.



How to Install cable tray Practical Skills

How to Install Cable Tray: A Comprehensive Guide to Different Cable Tray Types How to fabricate a swept 90 degree bend in cable tray How to make Cable Tray REDUCER. (300mm to 100mm) Practical





How to make cable tray bend / Cable tray offset formula / cable tray 45

How to make cable tray bend / Cable tray offset formula / cable tray 45 degree bend Queries Solved in This Video: cable tray 45 degree bend cable tray me offset



Making a Cable Management Trough From Recycled Wood

Follow this simple step-by-step guide and make a cable management trough from recycled wood. It's designed for easy and versatile use, and it fits on the back wall beneath your computer desk (to keep

Cable tray design , GrabCAD Tutorials

A cable tray system is ideal for protecting and organizing electrical connections in commercial and industrial environments. This article offers a



Contact Us

For datasheets, pricing, or custom telecom energy solutions, please visit: <https://koskolong.co.za>