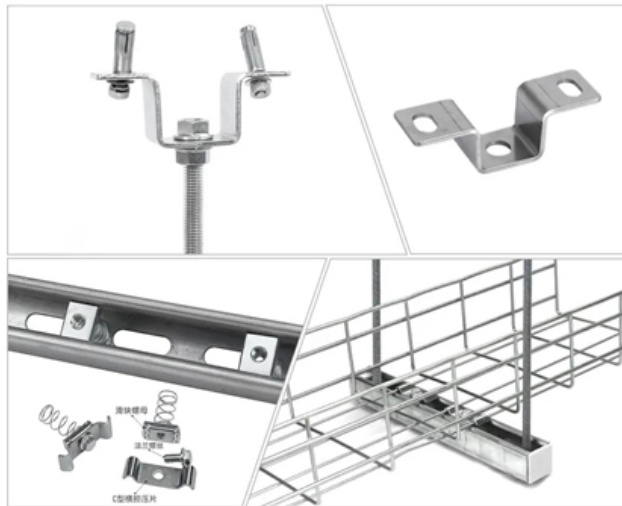




How to use an 800g optical module





Overview

Use this guide to learn about the Juniper Networks® 800G optical transceivers and cables, their specifications, and how to install, remove, and maintain these transceivers. An 800G module is a high-speed transmission module commonly used in data centers, communication networks, and other areas requiring high-density data transmission and high-speed data processing. It boasts the extraordinary ability to process 8 billion bits per second, more than doubling the. The next key development is 800G, and the industry is already gearing up to deploy this next generation of client optics in hyperscale data centers. Arista's 800G platforms allow data centers and high-performance computing environments to address growing needs for higher bandwidth at lower cost and power per gigabit.



How to use an 800g optical module

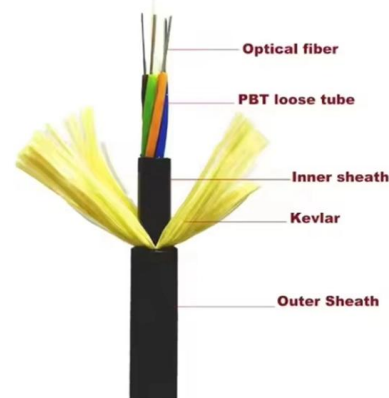
LightCounting says sales of 800G transceivers will

The sales of 400G Ethernet modules will decline as Amazon and Meta transition to higher speed modules. Sales of 400G and 800G AOCs will also



800G Optical Modules Explained: Standards, Types

We will explore the emergence, technical standards, packaging, types, and applications of 800G modules, and answer common questions to help you



AI optical transceiver market to grow 57% to US\$26bn in 2026

This surge is driven not only by specification upgrades but also reflects a broader structural reshaping of the optical communications supply chain amid accelerating AI data-center



Understanding 800G Optical Modules: Types, Applications, and

In this article, we will outline the various types of 800G optical modules and their applications,

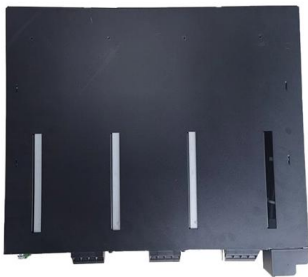


addressing some common questions to help you make an informed decision when selecting 800G



Over 20 Million 400G & 800G Datacom Optical Module

Unit shipments of 400G and 800G modules have grown nearly fourfold over the past 12 months and are expected to surpass 20 million for 2024. "Optical



800G Optical Transceivers Explained , Carritech Optics

What Are 800G Optical Transceivers? An 800G optical transceiver is a high-speed module used to transmit and receive data over fibre optic cabling at a total rate of up to 800 gigabits per second.



800G Client Optics in the Data Center

Developments in three distinct areas are needed for 800G deployment: optical modules and direct attach copper (DAC) cables, switch ASICs, and 800GE standardization. Not all these need to be fully





Over 800G optical transceiver shipments to soar 2.6x by 2026

High-speed optical interconnects are now central to performance and scalability, especially as AI data centers grow into large clusters, according to TrendForce. The report predicts

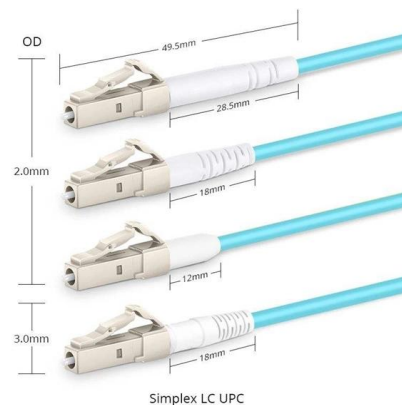


Global AI Optical Transceiver Market to Reach US\$26 Billion in 2026

This surge is driven not only by specification upgrades but also reflects a broader structural reshaping of the optical communications supply chain amid accelerating AI data center

224G SerDes vs 112G: How It Enables 800G and 1.6T Optical Modules

Reducing Lane Count In the 112G era, an 800G optical module required 8 electrical lanes (8 x 100G). With 224G SerDes, the same 800G capacity can be achieved using only 4 lanes.



Understanding Optical Modules: Working Principles,

Explore the working principles, structures, and performance metrics of optical modules, essential components of optical fiber communication systems. Learn



Next-Generation Connectivity: The Rise of 800G OSFP 2*FR4 Optical

1. Summary The 800G OSFP 2*FR4 optical transceiver represents a pivotal shift in high-density networking, providing the necessary bandwidth to support the explosive growth of artificial



Arista 800G Transceivers and Cables: Q& A

800G modules draw more power than 400G modules, so should only be used in 400G platforms capable of powering and cooling the 800G modules. This will limit the number of 400G platforms that can

Next-Generation Connectivity: The Rise of 800G OSFP 2*FR4 Optical

Discover the details of Next-Generation Connectivity: The Rise of 800G OSFP 2*FR4 Optical Transceivers in AI Data Centers at LonRise Equipment Co. Ltd., a leading supplier in China for





I am long Clearfield, Inc. \$CLFD Here's my thesis: I've been

In the current 800G environment, a single bend that is 1mm too sharp can leak enough light to stall an entire AI training cluster. In traditional data centers, a rack might require a few dozen fiber

Optical Module Package Market 2025

Modern AI clusters require low-latency, high-density optical connectivity, leading to rapid adoption of 400G and 800G modules. Major cloud service providers are expected to account for 65% of all high



EG Industries unit bags RM949mil order for optical modules, wireless

KUALA LUMPUR: EG Industries Bhd said its wholly-owned subsidiary SMT Technologies Sdn Bhd has secured an order for US\$241.6mil (RM949.18mil) of high-speed 800G optical modules



Demystifying 800G Transceiver: Types, Applications,

In this article, we will provide an overview of the various types of 800G optical modules, discuss their applications, and address some FAQs to help you



Broadcom Sian3 and Sian2M: 200G/lane optical

Analyzing Broadcom's Sian3 and Sian2M 200G/lane DSP technologies. Sian3 (3nm/SMF) and Sian2M (5nm/MMF) support 800G and 1.6T



LightCounting :: Sales of 800G transceivers will return the market to

June 12, 2025 LightCounting expects a 10% sequential growth in sales of optical transceivers in the current quarter, after a flat Q1. Most of the growth will come from sales of 800G Ethernet



Adtran Introduces 800G LiteWave800 LPO Module

The module operates at approximately 1pJ per bit and consumes about 0.8W, establishing a new power class for 800G optics. By comparison, Adtran states that LiteWave800



Introduction to 800G Optical Module

An 800G module is a high-speed transmission module commonly used in data centres, communication networks, and other areas requiring high-density data transmission and high-speed



How to Choose the Right 800G transceiver for Data

Explore guide to 800G optical transceivers--compare OSFP vs. QSFP-DD, key specs, deployment best practices, and future trends to future-proof your data center.

AI Data Center Optical Transceiver Module Market 2025-2030

The AI data center optical transceiver market is undergoing the most significant growth phase in its history, driven by the convergence of exponential AI workload expansion, the physics-imposed



Comprehensive Overview of Optical Module and DCI Trends: 2026-2034

The optical module and DCI market is booming, projected to reach \$40 billion by 2033, driven by cloud computing, 5G, and data-intensive applications. Learn about market trends, key



Juniper 800G Optical Transceivers and Cables Guide

Use this guide to learn about the Juniper Networks® 800G optical transceivers and cables, their specifications, and how to install, remove, and maintain these transceivers. 800 Gigabit



Contact Us

For datasheets, pricing, or custom telecom energy solutions, please visit:
<https://koskolong.co.za>