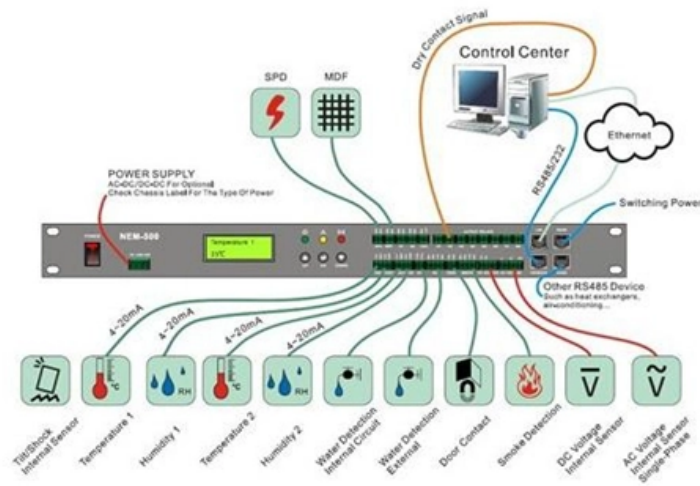




Adam Tas Corridor Energy

Huawei Semi-Optical Semi-Electronic Switch





Huawei Semi-Optical Semi-Electronic Switch



Product Introduction

The SmartLogger and opto-electronic Ethernet switches are installed in the SACU. A maximum of 15 SmartLoggers can be connected to form an optical fiber ring network with the opto-electronic

Optical Module Solutions for Huawei S5700/S5720 Series Switches

This article summarizes several solutions for using optical modules with switches and common problems encountered during usage, along with specific solutions.



Types of Optical Modules

This document provides an overall description of the CE5800& 6800& 7800& 8800 series switches hardware that versions earlier than V200R020C00, helping you obtain detailed information about

OPTICAL MODULES FOR HUAWEI S SERIES SWITCHES

A switch must use optical or copper modules that have been certified for use on Huawei switches.



Non-certified optical or copper modules cannot ensure transmission reliability and may affect service



Netzwerk-Switches von Huawei

Campus-Switches von Huawei sind ideal für den Aufbau von zukunftsfähigen Campusnetzwerken mit vereinfachtem Management, hoher Zuverlässigkeit und

Huawei S9300E Switch Product Brochures

Product Overview Huawei S9300E series (S9300E for short) terabit routing switches are next-generation high-end smart switches tailored for multiservice networks. The S9300E uses Huawei's intelligent



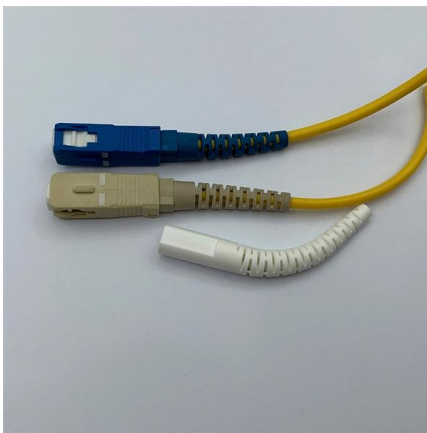
Network Switches

Huawei Ethernet Switches Turbocharge your enterprise network with high-performance, high-availability for resilient services and simplified management.



Replacing the Opto-Electronic Ethernet Switch

Replacing the Opto-Electronic Ethernet Switch
Remove cables from the Ethernet switch and label the cables. Remove the switch fastener.
Figure 8-9 Removing the fastener Remove the faulty Ethernet

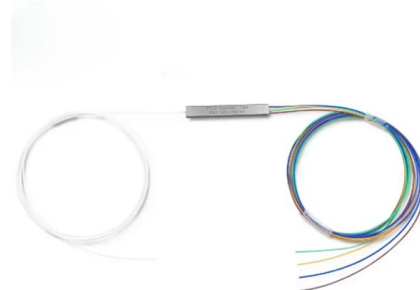


CloudEngine S5732-H Series Hybrid Optical-Electrical Switches

CloudEngine S5732-H hybrid optical-electrical switch is brand-new full-10GE switch developed by Huawei for the Wi-Fi 6 era. The CloudEngine S5732-H builds on Huawei's unified Versatile Routing

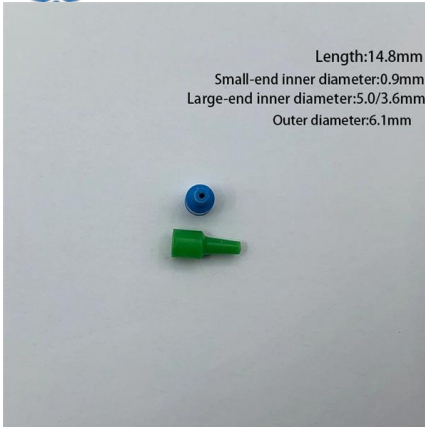
Optical Modules for Huawei S Series Switches

To determine whether optical modules delivered for Huawei switches before July 1, 2013 are certified ones, contact Huawei technical support. If your optical modules are delivered after July 1, 2013, use



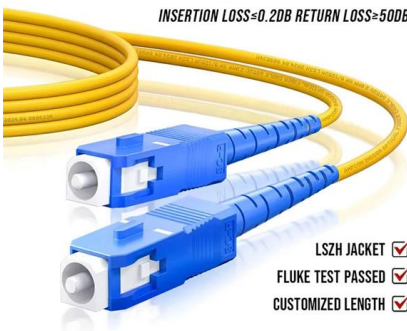
Huawei 10G SFP+ Fiber Switch Price

Scan Huawei 10G SFP+ Fiber Switch Price, buy brand new Huawei switches with various types of payment. Fast delivery in 1-3 days. Live chat are supported to help.



Network Switches , Huawei Enterprise

Huawei campus switches are ideal for building future-proof campus networks with simplified management, high reliability, and service intelligence, across industries

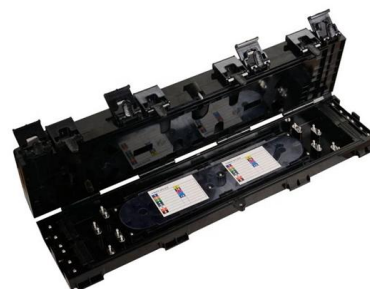


CloudEngine S5736-S Series All-Optical Switches

In addition to traditional Spanning Tree Protocol (STP), Rapid Spanning Tree Protocol (RSTP), and Multiple Spanning Tree Protocol (MSTP), the CloudEngine S5736-S supports Huawei-developed

CloudEngine S5731-H Series Hybrid Optical-Electrical Switches

The CloudEngine S5731-H series switches are the next-generation intelligent hybrid optical-electrical fixed switches developed by Huawei. The CloudEngine S5731-H builds on Huawei's unified Versatile





Optical Module Solutions for Huawei S5700/S5720 Series Switches



When using switches, we may encounter many confusions, such as what types of optical modules are needed for different models of Huawei switches, and how to resolve issues encountered

A New Era for the Chinese Semiconductor Industry:

China's domestic semiconductor industry landscape has changed considerably. The Biden administration has continued to impose export control



CloudEngine S5731-H Series Switches , Huawei Enterprise

CloudEngine S5731-H series hybrid optical-electrical switches provide GE/10 GE electrical downlink ports and four 10 GE uplink ports, with one extended slot.

CE6800 Series

Each switch provides a maximum of 48 10GE SFP+ downlink optical interfaces or 48 10GBASE-T downlink electrical interfaces, and a maximum of six 40GE QSFP+ uplink optical



Huawei is quietly dominating China's semiconductor

Huawei is emerging as the leader of China's national team in semiconductors, dominating chip manufacturing and seeking to integrate the



SemiAnalysis - Bridging the gap between the world's most important

Bridging the gap between the world's most important industry, semiconductors, and business.



Types of Optical Modules

Optical modules are encapsulated in different modes to provide different structures. Huawei S series devices support optical modules of the following encapsulation types: CFP, QSFP+, QSFP28, XFP,



Huawei CloudEngine S5535-S-V2 Series Hybrid Optical-Electrical Switches

Huawei CloudEngine S5535-S-V2 Series Hybrid Optical-Electrical Switches Brochure Huawei CloudEngine S5535-S-V2 series hybrid optical-electrical switches are standard gigabit Ethernet



CloudEngine S5732-H Series , Huawei Enterprise

CloudEngine S5732-H is designed as an aggregation switch for medium- and large-sized campus networks, or as an access switch in small- and micro-sized data

Campus Switches , Huawei Enterprise

Huawei campus switches are ideal for building future-proof campus networks with simplified management, high reliability, and service intelligence, across industries



Contact Us

For datasheets, pricing, or custom telecom energy solutions, please visit:
<https://koskolong.co.za>