



Adam Tas Corridor Energy

Huawei Server 10G Optical Module





Huawei Server 10G Optical Module



Huawei Campus Chassis Switch , Hongtelecom

OSX010000 02318170 Huawei CloudEngine S8700-4 Optical Transceiver,SFP+,10G,Single-mode Module (1310nm,10km,LC) \$910.00 [Read More](#)

Huawei 10GE Optical Modules

Buy genuine Huawei 10GE optical modules from GenuineModules with best price and fast worldwide shipping.



Transceiver optic Huawei SFP-10G- ER-SM1270-BIDI 02311BJC

SFP-10G-SR-C 02312UUE Transceiver optic Huawei Transceiver optic,SFP+, 10G,Modul multimodal (850nm,0.3km,LC) 20.00 [FIERBINTE Cite?te mai mult](#)

10G single-mode OSX010000: a reliable solution for enterprise high

The 10G single-mode optical module OSX010000

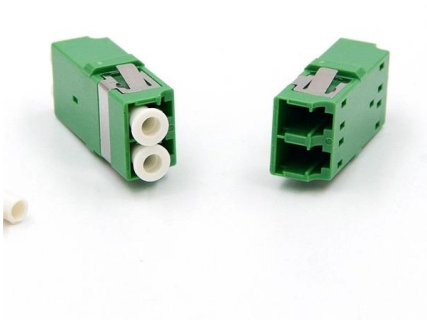


is Huawei's 10G single-mode optical module based on optical fiber transmission. It supports long-distance transmission and is suitable for data centers,



Overview of 400G Optical Modules

How Many Chips Does a 400G Optical Module Require? Although only one optical chip is used in a 400G optical module, the cost is high. In



Huawei S8700-4 Switch , Hongtelecom

SFP-10G-iLR 02311BJJ Huawei CloudEngine S8700-4 Optical Transceiver,SFP+,10G,Single-mode Module (1310nm,1.4km,LC) \$306.00 [Read More](#)



Huawei CloudEngine S8700-4 , Hongtelecom

SFP-10G-iLR 02311BJJ Huawei CloudEngine S8700-4 Optical Transceiver,SFP+,10G,Single-mode Module (1310nm,1.4km,LC) \$306.00 [Read More](#)





Huawei SFP+ Optical Transceiver Module (10G)

I am selling a Huawei SFP+ optical transceiver module (10G). I bought it recently and it has never been used. The module is in good condition with no physical d



Transceiver optic Huawei SFP-GE-LX-SM1310-BIDI 02314KKJ

Transceiver optic Huawei SFP-10G-ZR 02310SNN
10Transceiver optic GBase-ZR,SFP+, 10G,Modul
unic (1550nm,80km,LC) \$400.00 Cite?te mai
mult

Huawei 10G SFP+ Optical Transceiver Module, 1310nm, 10km

Featuring low power consumption, high speed, this 10G SFP+ transceiver is ideal for data center, enterprise wiring closet, service provider transport application, Radio & Baseband Unit, etc.



10G 1310nm 10km SM SFP+ Huawei Brand New Optical Transceiver

Engineered for long-distance data transmission up to 10 kilometers, this hot-pluggable SFP+ module operates at a 1310nm wavelength, making it ideal for enterprise networks, metropolitan area



Huawei OSX010000 Optical Transceiver SFP+ 10G

Explore the Huawei OSX010000 Optical Transceiver SFP+ 10G Single-mode Module for high-speed data transfer. Ideal for tech solutions, order today!



HW:SFP-10G-SR Datasheet Overview

Overview Huawei Optical Transceivers - HUAWEI SFP-10G-SR.Optical Transceiver,SFP+,10G,Multi-mode Module(850nm,0.3km,LC).



SFP+10GE-LH10-SM1310

SFP+10GE-LH10-SM1310 (02311MUU) Huawei compatible Transceiver is based on our 10G-SFP-10I product, which is fully compliant with SFP+ Multi Source Agreement (MSA) SFF-8432 standard,

Ordering information

NO.	1	2	3	4	5	6
Model	SFP1201	SFP1202	SFP1203	SFP1204	SFP1205	SFP1206
Product Name	Patch Panel	Patch Panel	Patch Panel	Patch Panel	Patch Panel	Patch Panel
Illustration						
NO.	1	2	4	1	2	4
Maximum number of cores	144	288	576	144	288	576
Product size (including modules and accessories)	482.0(211)104 mm	482.0(211)108.1 mm	482.0(211)117 mm	482.0(211)114 mm	482.0(211)108.1 mm	482.0(211)117 mm
Standard color code	RAL9005	RAL9005	RAL9005	RAL9005	RAL9005	RAL9005



Huawei 02310MNW Datasheet

Huawei 02310MNW Datasheet Huawei SFP-10G-USR 10GBase-USR Optical Transceiver, SFP+, 10G, Multi-mode Module (850nm, 0.1km, LC)

AOC, DAC, Fiber Optic Transceivers , One-Stop Shop

Fiber Optical Cable OM3 Duplex OM5 Duplex OS2 Simplex MPO-MPO Extension QSA (40G/100G) SFP+/QSFP Extension Loopback SFP+/SFP28 Loopback Fiber



Huawei SFP-10G-LR Compatible

This SFP+ transceiver is programmed to be compatible with a wide range of Huawei network equipment such as 10 Gigabit Ethernet (10 GbE) Switches, Routers, Network Interface

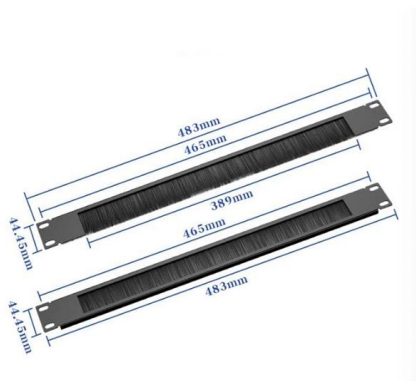
SFP-10G-BXU1 02310QBJ Huawei 10GBase, Transceiver optic BIDI

10GBase, Transceiver optic BIDI, SFP+, 10G, Modul unic (TX1270nm/RX1330nm, 10km, LC)



Huawei S6720S-26Q-EI-24S-AC: High-Density 10GbE and 40GbE

The Huawei S6720S-26Q-EI-24S-AC is a definitive solution for organizations requiring high-density 10G aggregation and 40G uplinks without compromising on reliability or security.



Huawei OMXD30000 02318169 10G 850nm 0.3km MM SFP

The Huawei Technologies OMXD30000 (Part Number: 02318169) is a high-performance 10Gb SFP+ optical transceiver designed for enterprise networking, data center connectivity, and high-speed fibre



Optical Module Solutions for Huawei S5700/S5720 Series Switches

When using switches, we may encounter many confusions, such as what types of optical modules are needed for different models of Huawei switches, and how to resolve issues encountered





Optical Module Package Market 2025

South America In South America, the Optical Module Package market is in a nascent growth phase, with Brazil leading in telecommunication infrastructure upgrades. Demand is concentrated in urban



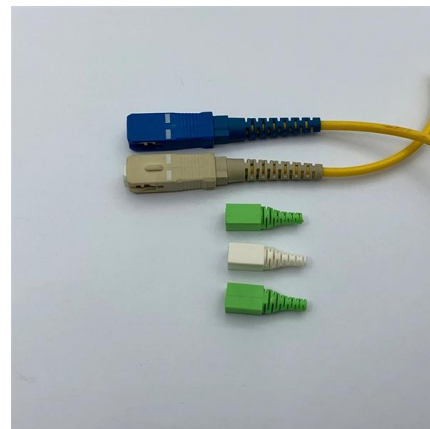
Huawei SFP-10G-AOC10M 10G SFP+ AOC 850nm 10m

Huawei's SFP-10G-AOC10M is an advanced AOC Optical Transceiver that



Huawei SFP-10G-LR Price Datasheet Optical

The Arista Small Form-Factor Pluggable (SFP) optics modules and cables offer customers a wide variety of high-density and low-power 10 Gigabit Ethernet connectivity options over fiber or copper



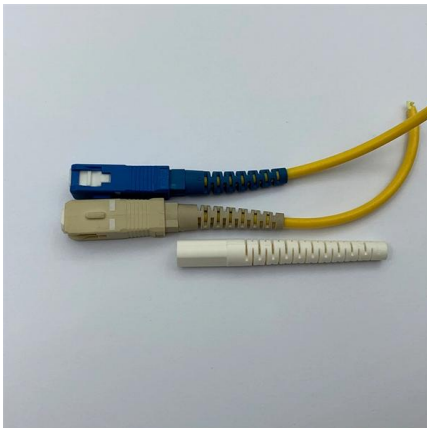
Huawei S5731-S48P4X 48x GE PoE+ 4x 10G SFP

Huawei S5731-S48P4X CloudEngine switch with 48x GE PoE+ and 4x 10G SFP+ uplinks for campus and enterprise access. View key features and specifications now.



Cisco C9200-NM-4X 4-Port 10G SFP+ Network Module

High-performance 4-port 10G SFP+ module for Cisco Catalyst 9200 switches. Hot-swappable, dual-rate support, and CE certified for enterprise networks.



10GE SFP+ Optical Modules

Single-fiber bidirectional (BIDI) optical modules must be used in pairs. For example, SFP-10G-BXU1 must be used with SFP-10G-BXD1.

Huawei S8700-6 Switch , Hongtelecom

LSG7X24BX1E0 03050DLU Huawei Optical interface card 20-port 100M/1G/2.5G Optical and 4-port 100M/1G/2.5G/10G Optical interface card (SFP, SFP+) \$2,040.00 [Read More](#)





190X95X25mm



Learn how to choose the right SFP module for your network. Avoid

Learn how to choose the right SFP module for your network and avoid common compatibility mistakes. This practical guide explains SR vs LR, singlemode vs multimode,

Contact Us

For datasheets, pricing, or custom telecom energy solutions, please visit:
<https://koskolong.co.za>