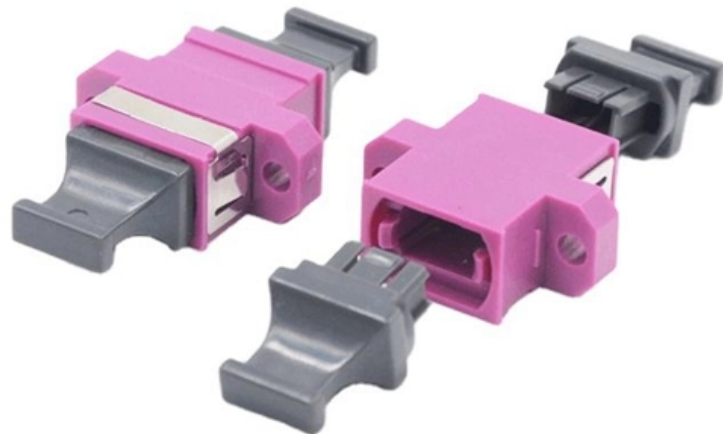




**Adam Tas Corridor Energy**

# **Huijue Layer 3 Aggregation Switch**





## Overview

---

Aggregation switch for small and medium-sized campus networks, with eight 10G uplink optical ports for high-speed data transmission; 24 x 1GE optical ports (with eight combo ports), providing high-speed network experience for long-distance services. What Is an Aggregation Switch?

An aggregation switch is a network device that consolidates traffic from multiple access switches, wireless access points, or other edge devices and forwards it to core switches or routers. Founded in 2002, Huijue Group is a high-tech service provider integrating intelligent energy storage equipment and computer intelligent network communication system integration and application. Huijue Network's products are exported to Europe, North America, Southeast Asia and other countries and. It is applied in enterprise campus network and easy to deploy Layer3 switching solution that offers enhanced security and 10GE uplinks, RIP/OSPF/BGP/IS-IS, L2&L3.



## Huijue Layer 3 Aggregation Switch

---

### More durable and robust

The outer layer is made of environmentally friendly PVC, which is soft and elastic. It can be stretched without damage, so you can use it with confidence.



### Everything You Need to Know About Aggregation Switch

An aggregation switch operates at Layer 2 or Layer 3 of the OSI model, depending on the configuration and topology of the network. The

### H3C S6890 Switch Series Ethernet Link Aggregation Configuration

Configure Layer 2 aggregate interface Bridge-aggregation 1 as a trunk port. Assign the aggregate interface to VLAN 10 and VLAN 20.



### Ubiquiti Store

1.8 Tbps high-density 100G/25G Layer 3 Etherlighting(TM) aggregation switch with MC-LAG support for high availability system design.

### Campus Switches RG-CS85-24SFP/8GT8XS-D 24-Port 1GE SFP

In simple campus scenarios, the switch can



achieve easy configuration and high information security, while in large-scale interconnecting scenarios, the switch can realize auto-negotiated update of



### **Campus Switches RG-S5760C-48GT4XS-HP-X 48-Port GE Electrical**

In simple campus scenarios, the switch can achieve easy configuration and high information security, while in large-scale interconnecting scenarios, the switch can realize auto-negotiated update of

### **Support**

- Displaying the local system ID · 28
- Displaying link-aggregation load sharing information · 28
- Displaying and clearing interface statistics · 28
- Clearing LACP statistics for link aggregation member ports · 29



### **Ubiquity Hi-Capacity Aggregation (USW-Pro-Aggregation)**

Product Description The Hi-Capacity Aggregation (USW-Pro-Aggregation) is a high-performance Layer 3 switch designed for high-speed 10G and 25G aggregation in enterprise and data center environments.





## What is Switch Aggregation, Its Role and Selection Advice

The aggregation layer serves as the convergence point for multiple access layer switches and is responsible for handling all the communication traffic from the access layer devices



## Support

On an IRF 3.1 system, an aggregation group is called a Layer 2 extended-link aggregation group if its member ports are on PEXs. The logical interface of the aggregation group is called a Layer 2

## Leading ESS Manufacturer & Solution Provider

Founded in 2002, Huijue Group is a high-tech service provider integrating the integration and application of intelligent network equipment and intelligent energy storage equipment.



## Advanced Aggregation Switch featuring Layer 3

Advanced Aggregation Switch featuring Layer 3 Capabilities, Achieve greater efficiency and speed with Layer 3 managed switches equipped with 10G uplink.



## LANCOM Tech Paper Two-Tier and Three-Tier Switch Architectures

Two-tier and three-tier switch architectures  
When structuring the logical architecture of an enterprise network, decisive factors include the efficient and secure transport of data, high scalability, and high



## Huawei

We're sorry but web site doesn't work properly without JavaScript enabled. Please enable it to continue. Loading

## Huawei S6730 Switch - 10GE Aggregation & Core

The Huawei S6730-H Switch series answers with high-density 10 GE access, robust Layer-3 capabilities, VXLAN virtualization, and intelligent O& M.





## What is an Aggregation Switch?

The aggregation switch is located in the middle of the network architecture, which is equivalent to a middle-level manager of a company. It



## Transmission

Transmission Dahua offers both network and HDCVI PTZ cameras. PTZ cameras use pan, tilt, and zoom functionality to provide both wide-area coverage and great detail. Dahua offers both network



## Aggregation Network Switches , Grandstream Networks

Layer 3 aggregation switches that allow enterprises to build scalable, secure, high performance and smart business networks that are fully manageable and support

## Switch Hi-Capacity Aggregation

A 32-port, Layer 3 switch made for high-capacity 10G SFP+ and 25G SFP28 connections.



## Support

The member ports in its Layer 3 aggregation group can only be Layer 3 Ethernet interfaces. The port rate of an aggregate interface equals the total rate of its Selected member ports.



## Campus Switches

Huawei S Series Switches fully accommodate metro core, aggregation, edge aggregation, and access networking requirements, and are capable of building an



## What Is an Aggregation Switch and How to Choose?

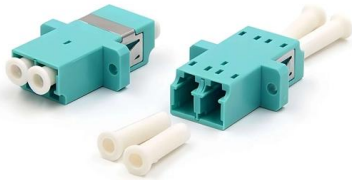
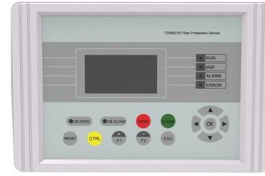
As the physical part of the aggregation layer, aggregation switches typically play a crucial part in the overall network architecture. So, what exactly is an aggregation





## NS-S5760C Switches , Custom-Brand L3 Aggregation with 10G SFP+

Explore NS-S5760C Switches, customizable Layer 3 aggregation switch with SFP+ uplinks, VSU/ERPS resiliency, PoE aggregation options, and deep L3 features.



### In-depth analysis: What is an aggregation switch?

In many network constructions, we have all heard of switches. So do you really understand switches? Why are aggregation switches often overlooked?

### Stackable Aggregation Managed Switches

Enhance routing, security, and performance with RIP, OSPF, VLAN, ACL, and QoS to ensure greater network stability. Provides advanced Security ACLs for



### Aggregation Switch

An aggregation switch refers to a type of switch used to connect multiple ToR switches to a core switch/router in a cloud data center network. It enables high-bandwidth aggregation ports to be



## 6 New Layer 3 Aggregation & Core Switches Powered

Asterfusion introduced five Layer 3 aggregation and core switches powered by their cutting-edge SONiC-based Enterprise operating system in

### Pre-Terminated Patch Panel

- Standard 19" width
- Max 144 fibers in 1U
- Ultra-High Density Ready



Dual-slit, easy install & maintain



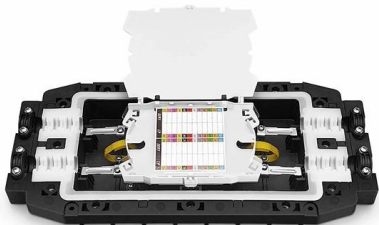
Lightweight ABS MPO cassette



Premium sheet metal with matte coating

## S4230 Series Stackable L3 Aggregation Switch Datasheet

The S4230 series switch can be used as L3 access devices on large-sized campus networks. They can also be used as aggregation devices on small and medium-sized campus



## Link Aggregation Configuration

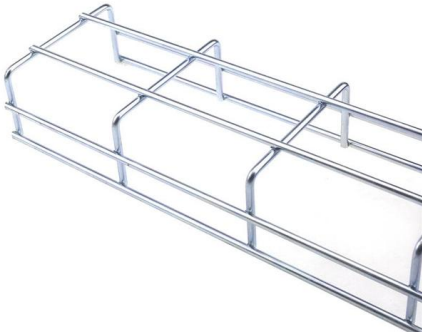
Example for Configuring Link Aggregation in Manual Mode When Switches Are Directly Connected Overview Ethernet link aggregation increases link bandwidth by bundling multiple physical links to





## Layer 3 Aggregation Switch

GS-6322-48UP4X NEW! L3 48-Port 10/100/1000T  
802.3bt PoE + 4-Port 10G SFP+ Managed Switch  
with dual modular power supply slots



## Contact Us

---

For datasheets, pricing, or custom telecom energy solutions, please visit:  
<https://koskolong.co.za>