



Adam Tas Corridor Energy

Hungarian ONT Optical Network Terminal SFP





Overview

5 Optical Network Terminal (ONT) with Small Form-factor Pluggable (SFP) packaging. The module integrates a bi-directional optical transceiver function and GPON MAC function. PON technologies, unlike Ethernet, are not P2P but one-to-many with two device types: ONU (Optical Network Unit)/ONT (Optical Network Terminal) and OLT (Optical Line Terminal). The ClimatePartner certified product label confirms that a product meets the requirements for the five steps in climate action including calculating carbon footprints, setting reduction targets, implementing reductions, financing climate projects and communicating transparently to continuously. PLANET GPN-SFP is an SFP GPON ONU device designed in compliance with the ITU-T G. It is a cost-effective GPON customer premises system that provides broadband services with 1244 Mbps upstream and 2488 Mbps downstream by connecting to subscribers' switches or routers. The MA5671A plugs into SFP slot of the BTS or other baseband units for backhaul of cellular or microwave.



Hungarian ONT Optical Network Terminal SFP



GPON SFP Transceivers in Detailed Introduction

GPON ONT SFP offers ONT/ONU in the client end sides of the interface to talk with end devices over the optical fiber network. With the ONT

GPON SFP Module Wiki: GPON ONT SFP, GPON ONU SFP

Modern OLT and ONT/ONU use compact fiber optic modules to achieve the triple-play GPON services. These modules are known as GPON SFP transceivers. This post will give a



GPON SFP

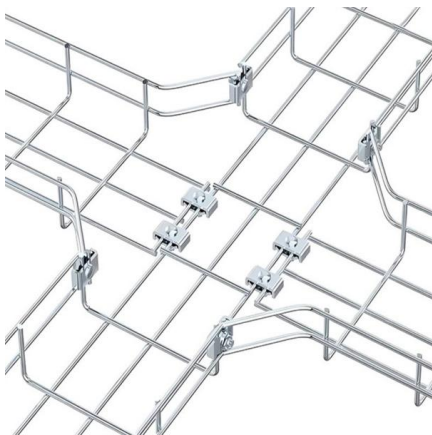
Anything transmitted from the OLT is transmitted to all 32 lines. It is up to the customer's system (Optical Network Unit - ONU) to determine what packets are

GPON ONT module

This module is a G.984.5 Optical Network Terminal (ONT) with Small Form-factor Pluggable (SFP) packaging. The module integrates a bi-



directional optical transceiver function and GPON MAC function.



What is an ONT (Optical Network Terminal)?

An Optical Network Terminal (ONT) is a device that converts fiber-optic signals to Ethernet signals that your Wi-Fi router or modem can handle. It is an

Amazon : Optical Network Terminal

Optical network terminals provide a seamless bridge between fiber optic and Ethernet networks. Discover plug-and-play convenience and auto-negotiation features.



Optical Network Terminals Selection Guide: Types,

Optical network terminals (ONTs) are essential endpoint devices in fiber-optic communication systems, responsible for converting optical signals from fiber



MA5671A - SFP ONT (Optical Network Terminal)

MA5671A - SFP ONT (Optical Network Terminal)
Full function GPON ONT in SFP form factor for flexible and cost-effective fiber access.



ABC of GPON SFP: Understanding GPON OLT / ONU /

GPON SFP transceiver meets the requirements of FTTx network to accelerate the speed or capacity. GPON OLT, ONU and ONT SFP module

Ultimate Guide to GPON SFP

GPON SFP modules are essential for scalable, efficient optical access in carrier FTTx networks, enabling high-speed, reliable point-to-multipoint



OLT and ONT

OLT and ONT - what are their roles in GPON network? OLT (Optical Line Terminal) OLT and ONT? Lets start with OLT then. The main function of OLT is to control



SFP with PON MAC and w/o PON MAC

PON technologies, unlike Ethernet, are not P2P but one-to-many with two device types: ONU (Optical Network Unit)/ONT (Optical Network Terminal) and OLT



Understanding Optical Network Terminal (ONT)

1. Optical Interface Type The primary function of an ONT is to convert optical signals from the fiber optic network into electrical signals that can be used

MA5671A - SFP ONT (Optical Network Terminal)

The MA5671A can plug into the SFP slot of any existing or new customer- or carrier-owned terminals: switch, router. It delivers gigabit or more bandwidth over fiber cost effectively.



ABC of GPON SFP: Understanding GPON OLT / ONU / ONT SFP

On top of that, GPON SFP transceiver is an essential part of GPON system which is necessary both for optical network unit (ONU) installed at the subscriber's premises and for the



Optical network terminals (ONTs)

An optical network terminal (ONT) is a device used to "convert" the signals from the fiber network into a technology that end-users can use to connect their devices, like laptops, tablets, smartphones,



GPN-SFP

The GPN-SFP is a device that integrates the functions of a traditional Optical Network Terminal (ONT) or Optical Network Unit (ONU) into a compact Small

What is ONT? Everything You Need to Know

What is ONT? "ONT" stands for Optical Network Terminal. It is sometimes referred to as an "ONT box," "fiber box," or CPE (Client Premises



Optical Network Terminal

It is used as the optical network terminal (ONT) for GPON ONU Class B+ applications with Mac inside. The SFP Stick ONT is based on the mature Gigabit GPON technology, highly reliable and easy to



SFP GPON ONT (Optical Network Terminal)

An Optical Network Terminal (ONT), sometimes referred to as an Optical Network Unit (ONU), is a device that is placed at the customer's premises and securely connects the incoming fibre supply to

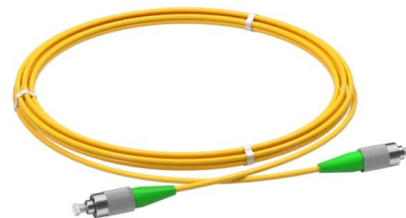


What is an Optical Network Terminal (ONT)?

Discover how an Optical Network Terminal (ONT) enables fiber-optic broadband, gigabit internet, and VoIP services by converting optical signals into Ethernet

A Quick Guide to ONT (Optical Network Terminal)

Understand how an Optical Network Terminal (known as an ONT) functions, how it differs from Optical Line Terminal (OLT), and its Role in



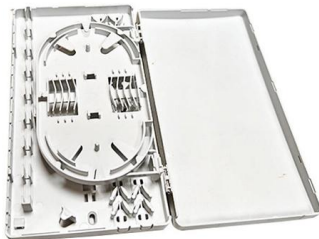
Huawei OptiXstar S800E

Huawei OptiXstar S800E is a miniature Optical Network Unit (ONU) that can be inserted into the Small Form-Factor Pluggable (SFP) port of a camera or Access



What is an Optical Network Terminal (ONT)? Your

This is where the ONT comes in ? What is an Optical Network Terminal (ONT)? An Optical Network Terminal (ONT), also known as a fiber



What is an optical network terminal (ONT)?

What is an optical network terminal (ONT)? An optical network terminal (ONT) is a device that serves as the endpoint of an optical network,

ONU vs. ONT in FTTx Networks: What's the Difference?

In FTTx, ONT is the same as ONU, a part of the passive optical network. But there are some technical differences in definition, deployment, and



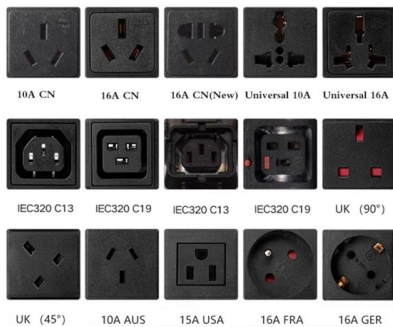


Understanding ONTs: How They Work and Their Benefits

Learn about Optical Network Terminals (ONT), their role in fiber optic networks, and the benefits they offer for high-speed internet, voice, and TV services.

GPON ONU SFP Transceiver

Compact and Easy-to-Install ONU Stick for SFP Slots The GPN-SFP is a device that integrates the functions of a traditional Optical Network Terminal (ONT) or Optical Network Unit (ONU) into a

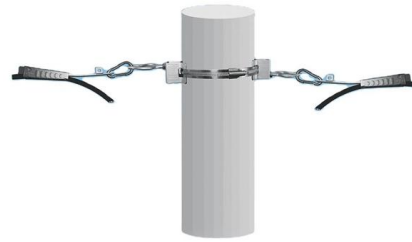


Optical line termination

An optical line termination (OLT), also called an optical line terminal, is a device which serves as the service provider endpoint of a passive optical network.

Amazon : Gpon Ont

ipolex Gigabit Multi-Mode LC Fiber to Ethernet Media Converter with SFP SX Module, 1.25G Fiber to Copper RJ45, 1000Base-SX to 10/100/1000Base-TX, MMF, Transmission up to 550 meters/1804 ft



Contact Us

For datasheets, pricing, or custom telecom energy solutions, please visit:
<https://koskolong.co.za>