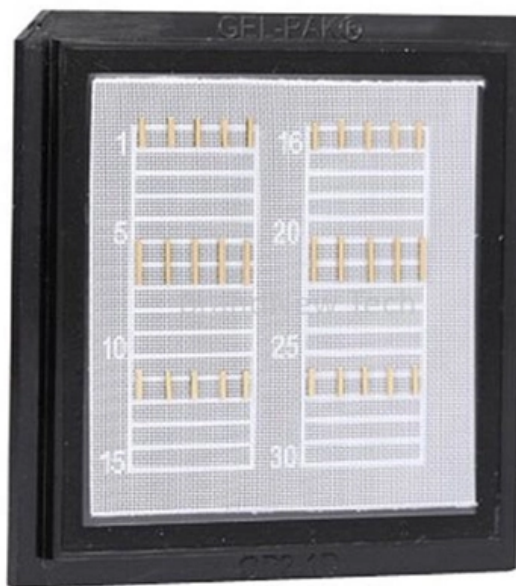




Adam Tas Corridor Energy

Indoor Fixing Methods for Optical Cables





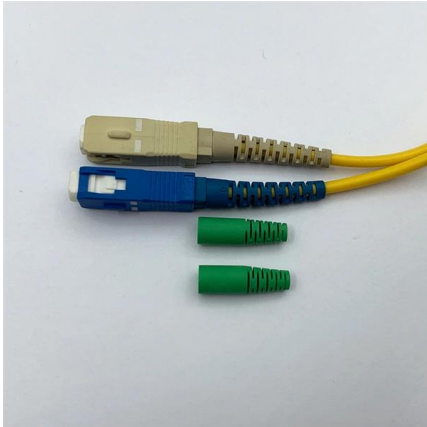
Overview

Indoor cables can be installed in raceways, cable trays above ceilings or under floors, placed in hangers, pulled into conduit or innerduct or blown through special ducts with compressed gas. The installation process will depend on the nature of the installation and the type of. Each type is designed with specific features to ensure optimal performance under varying conditions.

Recommendations for Fiber Optic Cable Installation Where reels are supplied with protective material fitted over the cable, the protection should remain in place until the cable will be installed. **CAUTION:** Before starting any cable installation, all personnel must be thoroughly familiar with all applicable Occupational Safety and Health Act (OSHA) regulations, the National Electric Safety Code (NESC), state and local regulations, and company practices and policies. The information contained in this manual should serve as a guide to proper handling, installing, testing, and for troubleshooting problems with fiber optic cables.



Indoor Fixing Methods for Optical Cables

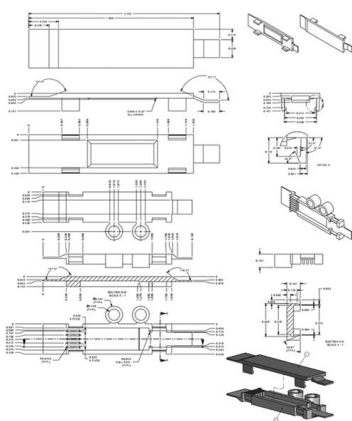


Best Practices for Designing Indoor Fiber Optic Routing in 2025

Ensure safe, efficient indoor Fiber Optic Routing in 2025 with expert design tips, compliance standards, and future-ready installation practices.

Fibre to the Home Indoor Optical Fibre Cables

Finally the optical fibre has to be deployed in buildings / premises to get closer to the end user. This requires cable designs which differ considerably from those used for outdoor applications. For



DIY Guide: How To Properly Install Indoor Optical Cables

Learn the step-by-step process to properly install indoor optical cables with this comprehensive DIY guide. Discover essential tools, safety tips, best practices for routing and

Fiber Optic Cable Installation and Handling Instructions

The information contained in this manual should serve as a guide to proper handling, installing,



testing, and for troubleshooting problems with fiber optic cables.



LoRa handheld portable base station

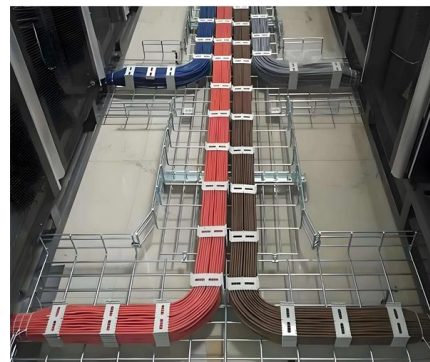


Indoor Installation of Corning Optical Communications Fiber Optic Cable

Maintain the fiber optic cable's minimum bend radius around corners through the use of flexible conduit or other supports (B). Split cable guides and split 40-in sheave wheels are available to facilitate entry

Indoor Fiber Optic Cable Types: Top 12 List

This guide explores common indoor cable varieties and their distinct attributes when wiring rooms or structures for high-speed fiber optic links.



The FOA Reference For Fiber Optics

The fiber optic contractor should be able to work with the customer in each installation project through six stages: design, installation, testing,



The Ultimate Guide to Indoor Fiber Cable in 2025

Explore Indoor Fiber Cable in 2025: types, uses, and installation tips. Find top indoor fiber optic solutions for reliable, high-speed networks with EPCOM.



Fiber Optic Cable Installation: How To Properly Install It

A comprehensive guide to fiber optic installation - everything you need to know about fiber optic cabling for your network

Fibre to the Home Indoor Optical Fibre Cables

Readers of this document are encouraged to seek information on specific matters regarding Optical cables and components from the manufacturer or provider and to consider the Technical Standards



FOA Standard For Installing Fiber Optic Cable Plants

Fiber optic cable may be installed indoors or outdoors using several different installation processes and as appropriate for the cable type being installed. Outdoor cable may be direct buried, installed



Fiber Optic Cable Repair: Quick and Effective Tips

Quick guide to fixing fiber optic cables, covering common damage, essential tools, and step-by-step repair methods to restore speed and connection



How Is Fibre Optic Cable Installed? , Step-by-Step Guide

Installing fibre optic cable involves a precise, step-by-step process to ensure optimal performance and reliability. Including initial planning to final testing, each phase

Essential Installation Techniques for Optical Fiber Cables

Discover the essential installation techniques for optical fiber cables, including trenching, direct burial, aerial, and indoor methods. Learn about



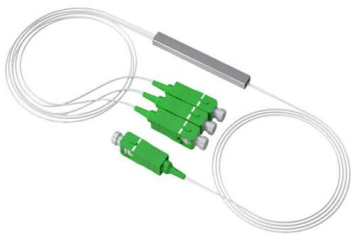


The Ultimate Guide to Indoor Fiber Optic Cables:

Conclusion: Embracing the Future with Indoor Fiber Optic Solutions Indoor fiber optic cables represent the backbone of modern connectivity, driving performance

What are the typical cabling methods for indoor distribution optical

Whenever you have new fiber optic technologies, selecting the best indoor cabling helps you expand your system easily, depend on it for many years, and save energy. This article examines



Indoor and Outdoor Fiber Optic Cable Installation: Key Considerations

Explore best practices for installing indoor and outdoor fiber optic cables, including conduit, direct burial, riser, and aerial applications. Build stable, long-lasting networks.

How To: Install Fiber Optic Cable for Success - trueCABLE

Learn the best practices for installing fiber optic cable, from patch cords to bulk distribution fiber.



Indoor and Outdoor Fiber Cable Installation Best

Explore best practices for installing indoor and outdoor fiber optic cables, including conduit, direct burial, riser, and aerial applications. Build stable,



The FOA Reference For Fiber Optics- Installing Fiber

General Guidelines For Installing Fiber Optic Cable Fiber optic cable may be installed indoors or outdoors using several different installation processes.



Master Your Fibre Optic Installation: Step-by-Step Best Practices

This comprehensive guide delves into the intricacies of fiber optic installation, exploring topics ranging from cable types and pre-installation considerations to execution, safety protocols,



A Step-by-Step Guide to Fiber Optic Cable Installation

Different environments demand different fiber optic cable installation methods: aerial cables strung on poles, direct-buried cables placed underground,



How to Run Fiber Optic Cable in Your House

Complete guide to safely running internal fiber optic cable. Learn the methods for a high-performance, future-proof home network.

The FOA Reference For Fiber Optics- Installing Fiber

Indoor cables can be installed in raceways, cable trays above ceilings or under floors, placed in hangers, pulled into conduit or innerduct or blown through special



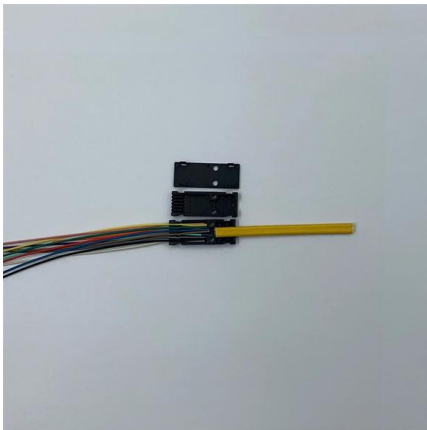
Optical Fiber Cable Installation Guideline

The following contains information on the placement of fiber optic cables in various indoor and outdoor environments. In general, fiber optic cable can be installed with many of the same techniques used



The FOA Reference For Fiber Optics

Fiber optic cable may be installed indoors or outdoors using several different installation processes. Outdoor cable may be direct buried, pulled or blown into



OPTICAL FIBRE CABLES INSTALLATION GUIDE

For the optical fibre cable laying, we will need to use pulleys of the adequate size to meet the cable's minimum radius of curvature. In addition, lubricant is added to the cable feeder and to any

Wiley Online Library , Scientific research articles, journals, books

Hier sollte eine Beschreibung angezeigt werden, diese Seite lässt dies jedoch nicht zu.





InstallGuide



Fiber optic cable may be installed indoors or outdoors using several different installation processes. Outdoor cable may be direct buried, pulled or blown into conduit or innerduct, or installed aerially

Contact Us

For datasheets, pricing, or custom telecom energy solutions, please visit:
<https://koskolong.co.za>