



Adam Tas Corridor Energy

Indoor multimode fiber optic cable price 24 cores





Indoor multimode fiber optic cable price 24 cores

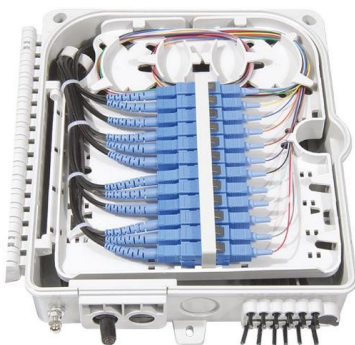


24 Core GJFJV Indoor Fiber Optical Cable 50/125mm 10G OM4 LSZH

This cable adapts to indoor distribution mostly, as well as outdoor but with PE tube only. This cable has characters of soft, easy to peel, to facilitate follow, circular structure, small size,

Fiber Optic Cables , Fiber Patch Cables , Patch Cords,

Fiber Patch Cables, Multimode & Singlemode Duplex Fiber Optic Cables, Secure Order Fiber Patch Cords, Preferred Mil. Edu. Gov. Pricing, Same Day Shipping



4 Core Multimode OM3 Indoor Fiber Cable 50/125mm PVC

4 Core GJFJV Indoor optical fiber cable 50/125mm 10G OM3 Multimode Multi-Core Tight Buffered PVC Distribution Indoor optical Fiber Cable is made of multi-strand

OM3 50/125 Multimode Bulk Fiber Optic Distribution Cable

OM3 50/125 Multimode Bulk Fiber Optic Distribution Cable - Indoor/Outdoor, Tight-



Buffered, OFNP Plenum Use these tight-buffered cables for campus network cabling between and within buildings.

- ✓ Slow Axis Aligned (0°) - for standard sensing applications
- ✓ Fast Axis Aligned (90°) - for special modulation applications
- ✓ 45° Axis Aligned - for depolarizer applications



4 Strand Indoor/Outdoor Plenum Rated Ultra Thin Armored OM4

This eliminates the need to couple an indoor and outdoor cable together promoting less loss in your fiber optic cable run. This cable is rated for all indoor installations, including plenum rated spaces. A cable



CableWholesale 1000ft Aqua 24-Strand Fiber Optic Cable OM4 Indoor

Discover unparalleled performance with our 1000-foot Aqua 24 Fiber Optic Cable, equipped with the latest Corning ClearCurve OM4 technology. This multimode fiber optic cable is designed for



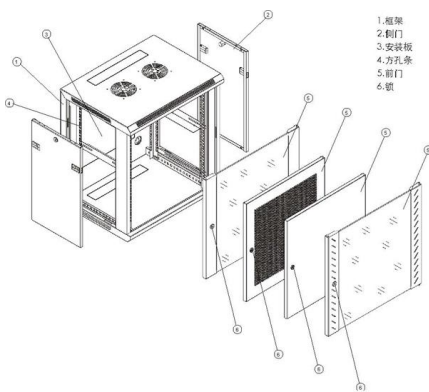
Single Mode vs. Multimode Fiber Optic Cables

There are two main types of fiber optic cables: single mode and multimode. Although they can do the same job in some instances, the different



24 Core GYTC8S Figure-8 Fiber Optic Cable Price

24 Core GYTC8S Fiber Optic Cable Armor
Stranded Loose Tube Steel Wire Strength
Waterproof Figure 8 Self Supporting Outdoor
GYTC8S is a typical self



24 Core Multimode Fiber Optic Cable

24 core multimode fiber optic cable, starting around \$0.1 per meter. Shop online, ideal for telecommunications projects. Minimum order of 1 unit available. Suitable

Markertek: Video Cameras, Intercom, Wireless Mics, Cable, Connector

Markertek, an employee-owned company, provides tech gear for video production, audio recording, and media entertainment professionals - offering over 70,000 solutions at competitive prices, backed by



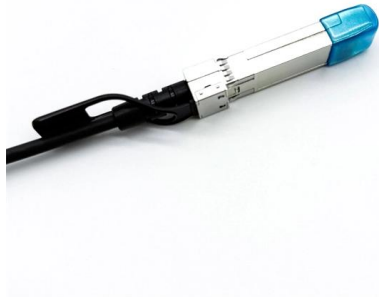
Breakout Indoor Cable OM3, 24-Core, LC/UPC-LC/UPC

High-quality LC-LC multi-mode OM3 breakout installation cable for indoor (inside buildings). Multi-purpose cable with 24 cores in tubes with aramid yarn tightening. Black protection jacket with flexible



Fiber Optic Cable Assemblies

Corning offers the most complete line of connectors and factory-terminated cables, from single-fiber patch cords to high-fiber-count assemblies.



24 Core Fiber Optic Cable Price Per Meter

Find 24 core fiber optic cable price per meter for various applications. Shop our selection of durable, high-quality optic fiber cables for reliable communication.

24 Core Fiber Optic Cable Price Per Meter with OWIRE Solutions

The pricing of a 24 core fiber optic cable per meter is not fixed and can vary significantly based on multiple technical and logistical factors. One of the primary determinants is the type of fiber



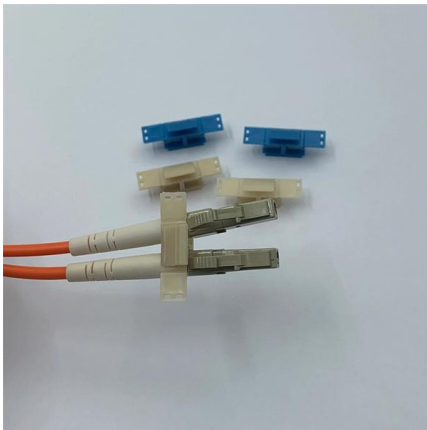
Optical Fiber Types

TIA TR-42 specifies singlemode fiber optic cable for premises applications. OS1 or OS2 fiber for outdoor or indoor/outdoor applications is specified for a maximum attenuation of 0.5 dB/km at either 1310 or 1550 nm.



Indoor, Tight Buffered fibre Cable, OM4, 24 Core

The detail data of optical fibre performance are shown in the following table.



Quality Bulk Multimode & Single Mode Fiber Optic Cables

Bulk Fiber Optic Cable - Multimode & Singlemode
Shop our diverse range of bulk fiber optic cables, tailored for various networking needs. We provide both single

24 Core Fiber Optic Cable at Attractive Price

Discover precision-engineered 24 core fiber optic cables featuring advanced optical fiber technology, robust materials, and optimal performance. Perfect for telecom and industrial networks. Competitive





24 core fiber optic cable price per meter

A 24 core fiber optic cable price per meter varies significantly based on fiber type, construction, jacket material, and application environment. These cables are available in both single-mode and

6 core multimode fiber optic cable

Shop high-quality 6 core multimode fiber optic cables for reliable indoor and outdoor communications. Bulk orders welcome. Find durable, flexible solutions now.



6 Core Multimode Fiber Optic Cable for Data Room and Campus

Product Parameters B2B Buyers Should Confirm For 6 core multimode fiber optic cable, the buyer should confirm multimode grade, core count, OM rating, jacket material, indoor or outdoor

24 Core OM2 Fiber Optic Cable Multimode Indoor Outdoor

24 Core OM2 Fiber Optic Cable Multimode Indoor Outdoor Rated 5.00 out of 5 based on 1 customer rating (1 customer review)



Fiber Optic Cable Pricing Guide: Factors That Affect

Fiber optic cables are essential components in today's broadband, FTTx, and data center networks. Whether you're planning a national fiber rollout



8-Core Indoor Multimode Fiber Optic Cable GJFJV-1000m

8-Core Multimode Distribution tight buffer fiber optic patch cables (GJFJV) Application:
1.Adopted to indoor distribution. 2.As pigtail of communication equipment. 3 itable for communication



12 Core 50/125mm OM2 Indoor Fiber Cable LSZH GJFJV

12 Core GJFJV Indoor optical fiber cable
60/125mm OM2 Multimode Multi-Core Tight Buffered LSZH Distribution Indoor optical Fiber Cable is ideal for indoor cabling, and interconnect between equipment.



2 core multimode fiber optic cable

Single-mode Fiber Optic Cable 5km 2km Factory
Price 1 2 4 12 24 48 Core Gyta Gyxtw ADSS
OPGW FTTH Drop Communication Cable
\$0.01-0.03 MOQ: 2 FTTH Drop Cable 2 Core
Multimode Fiber



CableWholesale 1000ft Fiber Optic Cable 6-Strand Fiber

Buy CableWholesale 1000ft Fiber Optic Cable
6-Strand Fiber Multimode OM3 50/125,
Indoor/Outdoor, Riser Rated, GR_409-CORE, 10
Gbit/s Speed, Black:

24 core fibre optic cable om3 Multimode indoor outdoor

TMT GLOBAL provides high-strength optical fiber
cables for use in various industrial, indoor, and
outdoor applications. Offering unique properties
and benefits for



Contact Us

For datasheets, pricing, or custom telecom energy solutions, please visit:
<https://koskolong.co.za>