



**Adam Tas Corridor Energy**

# **Installation Standards for Enterprise Intelligent Distribution Boxes**





## Overview

---

Use UL/CE-certified parts and record installation details for future inspections. The Geist™ Rack Power Distribution Unit (rPDU) gives data center managers the flexibility to install the intelligence required today, with the option to upgrade technology as needs evolve. From basic power to power monitoring, the rPDU product line adapts to a business' needs now and in the. Digital technologies such as Cloud Computing, Big Data, Internet of Things (IoT), Artificial Intelligence (AI) and Industry 4. Choose the right box based on environment (indoor/outdoor), load capacity, and durability.



## Installation Standards for Enterprise Intelligent Distribution Boxes

---



### Intelligent Rack PDU Installer/User Guide

If you encounter any installation or operational issues with your product, check the pertinent section of this manual to see if the issue can be resolved by following outlined procedures.

### Understanding Distribution Boxes: A Comprehensive Guide

support safer operation in electrical systems For this reason, distribution boxes are widely used in homes, commercial buildings, industrial



### Requirements And Specifications For Installation Of

In flammable and explosive environments, explosion-proof distribution boxes should be selected and explosion-proof treatment should be carried out.

### Grounding System Installation Standards for Distribution Boxes and

By understanding the deeper principles behind



grounding standards, avoiding common installation pitfalls, and insisting on certified materials from reputable suppliers, you're not just following



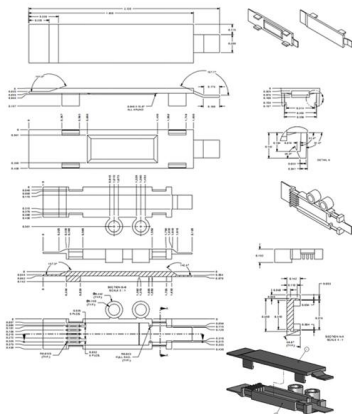
### Electrical Distribution Boxes for Power Distribution

Electrical distribution boxes for modular power distribution and installation. Flexible distribution solutions for industrial and building electrical infrastructure.

### Electrical Distribution Boxes for Power Distribution

From decentralized energy, signal and data distribution to distribution boxes for smart buildings, we offer the right solution.

Motor protection controller



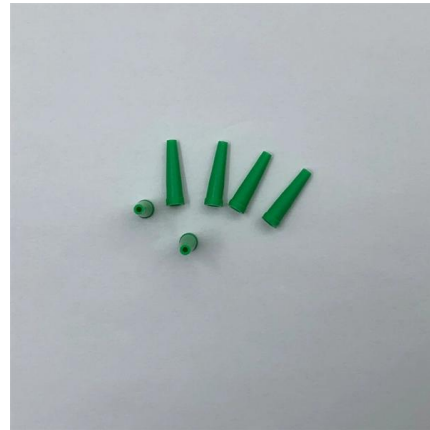
### Pre-Configured Industrial Distribution Frame (IDF) with

ub, harness, and intelligent power distribution unit (iPDU) shall be pre-installed. The IDF with G5 access control shall accommodate two distribution layer switch or two access layer switches for commonly



## Summary of key points for construction and installation of distribution

The construction and installation points of distribution boxes and switch boxes are summarized as follows: 1. Select qualified products that meet national standards and safety requirements.



## Decentralized Building Automation Distribution Boxes

Distribution boxes for building automation. Pluggable system solutions for energy-efficient smart buildings with flexible and fast electrical installation.

## Flush-mounted boxes

Flush-mounted installation boxes Solutions for hollow walls, concrete casting, timber/log walls and renovation ABB's installation boxes and accessories are



## Area distribution boxes with connectors

5. instAllAtion The area distribution box associated with the copper or optical feedthrough sockets allows total flexibility: the connections close to the workstation are centralised. The copper or optical fibre



## Intelligent Distribution , Solutions , ABB

To answer the most demanding market needs for sustainability, energy efficiency and renewable energy sources requirements, electrical installations are



## The installation requirements for the distribution box

Introduction  
Understanding The Components of A Distribution Box  
Selecting The Right Distribution Box  
Site Preparation and Location  
Requirements  
Electrical Connections and Wiring  
Compliance with Standards and Regulations  
Conclusion  
Proper installation of a distribution box isn't just a technical requirement. It's a vital step in ensuring the safety and efficiency of your entire electrical system. Following best practices reduces the risk of electrical fires, power outages, and other hazards, protecting your property and keeping everyone safe. If you're looking for a reliable, See more on eabel Published: Feb 7, 2025  
Schneider Electric Global

## Electrical Installation Guide, IEC Standards , Schneider

Our complimentary Electrical Installation Guide



provides you with the guidance

## Room Automation Distribution Boxes for DALI & Building

Intelligent room automation devices are essential to ensure that they perform their task ideally. For fast, flexible and safe installation, we integrate the devices into



## How to Choose the Right Fiber Distribution Box for

Explore key factors in selecting a fiber distribution box (FDB) including capacity, materials, IP ratings, and deployment scenarios. Ideal for FTTH, PON,

## Advantages of Standard Distribution Boxes

Standard distribution boxes improve safety, simplify power management, support expansion, and organize electrical systems efficiently for



## 1. An Ultimate Guide for Metal Distribution Boxes

Among the various types of distribution boxes, metal distribution boxes stand out due to their durability, fire resistance, and grounding capabilities. This article explores



### **EL2P Intelligent Power Distribution Unit**

Managing and installing a rack power distribution unit (PDU) has never been easier than with the EL2P PDU. Designed to simplify deployment and take stress out of



### **Intelligent Power Distribution Box Solution**

Compared with the traditional power distribution box, it is safer to cut off the strong power supply remotely, and it can save energy through the timing mode while



### **Microsoft Word**

Continuity of the duct, screen or strip must be ensured at junction or distribution boxes. The link ensuring this continuity must be protected mechanically and against corrosion.



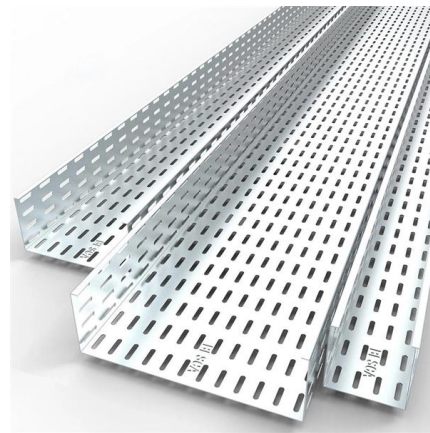


## Final Power Distribution Boxes , Product Catalog , CHINT Global

Compact final distribution boxes for safe, accessible, and precise power control across all electrical environments.

## How to Install a Cable Distribution Box Safely and

In modern electrical systems, cable distribution boxes (also known as electrical distribution boxes or distribution boxes) play a crucial role as the key



## Installation Standards and Safety Precautions for Distribution Boxes

Distribution boxes, switch boxes should be installed in dry, ventilated and room temperature places; shall not be installed in the role of serious damage to the gas, smoke, vapour,

## Custom Electrical Distribution Boxes: Tailored Solutions for Industrial

Customizing distribution boxes based on customer application scenarios Introduction In today's rapidly evolving industrial landscape, electrical distribution systems need to be safe, reliable,



### IDE Electric

Transparent window: Recommended for outdoor use: UV protection according to the ISO 4892-2 standard, method A: 1000 h. Supplied in individual packaging. When several items are sent together,



### A complete guide to custom distribution boxes

Get high-quality custom distribution boxes from a trusted manufacturer. Tailored metal distribution boxes designed for industrial safety and



### REINFORCED VIRGIN PVC TRUNKING

Superior Crush Resistance



 <b>37.6MPA</b> Tensile Strength	 <b>2856MPA</b> Elastic Modulus
 <b>9.8KJ/M<sup>2</sup></b> Impact Strength	 <b>1.54G/CM</b> Density

### Efficient Power Distribution Boxes , Nijsha Enterprise

Nijsha Enterprise manufactures heavy-duty power distribution boxes for commercial & industrial use--modular, safe, and built for demanding environments.



## Contact Us

---

For datasheets, pricing, or custom telecom energy solutions, please visit:  
<https://koskolong.co.za>