



Adam Tas Corridor Energy

Is coreless optical fiber a type of multimode optical fiber



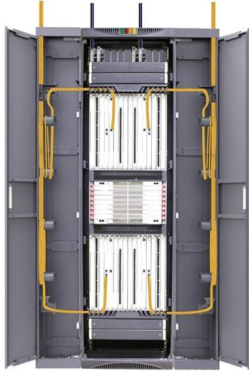


Overview

Multi-mode optical fiber is a type of optical fiber mostly used for communication over short distances, such as within a building or on a campus. Multi-mode fiber has a fairly large core diameter that enables multiple light modes to be propagated and limits the maximum length of a transmission link because of modal dispersion.



Is coreless optical fiber a type of multimode optical fiber



Types of Optical Fibers: Single-Mode vs. Multimode, Applications and

Hollow-core fibers that guide light primarily through air are demonstrating dramatically reduced latency and nonlinear distortion, while multicore and few-mode designs aim to expand total

Fiber Optic Cable Types: Comprehensive Guide

Explore the different types of fiber optic cables and understand which type suits your specific needs for speed, distance, and durability.



Fiber Optic Cable Types & What They Are Used For

Cable Types: There are primarily two types of fiber optic cables: single-mode for long-range communication and multimode for medium-range.

Fiber Optic Cable Types: Single Mode vs Multimode

The differences between single mode vs multimode fiber lie in the core diameter,



wavelength, bandwidth, color sheath, distance, and cost. Read the



Fiber Optics Market Size & Share , Industry Report, 2033

Fiber Optics Market Summary The global fiber optics market size was estimated at USD 10.76 billion in 2025 and is projected to reach USD 17.95 billion by 2033,

Cost of Fiber Optic Cable: Pricing Guide (2026)

Key Takeaways Fiber-optic cable materials typically cost \$1 to \$6 per linear foot, depending on fiber count and cable type. Commercial building



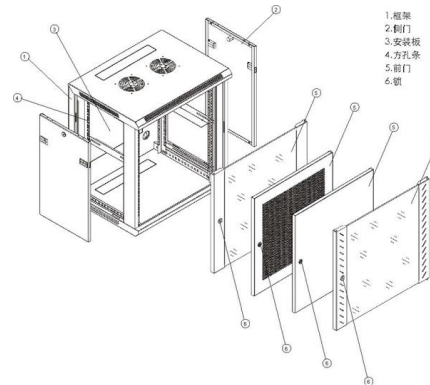
OM1 vs OM2 vs OM3 vs OM4 vs OM5 Multimode Fiber

ISO/IEC 11801 defines the OM1, OM2, OM3, OM4, and OM5 types of multimode fiber. It also lists the key technical requirements for each type. In the



The Number of Modes in an Optical Fiber Defined by

These fibers have larger core diameters, and the modes can spread out, leading to modal dispersion that can limit the fiber's performance over long



Fiber Color Code Guide: TIA-598 Standard Explained

Understand the TIA-598 fiber color code system for jackets, fibers, and connectors. Learn color meanings for single-mode and multimode optical cables.

Fiber optic SPR sensor based on MOF-808 sensitization for

Another type of optical fiber SPR sensor sensitization method is to increase the complex dielectric constant of the metal layer. Many studies have modified nanomaterials on the surface of fiber optic



Fiber Optic Transceivers: A Practical Guide for Network

In today's interconnected world, network professionals rely on high-speed, reliable connectivity. Fiber optic transceivers are the crucial components



10 Best Fiber Optic Manufacturers for 2026

Discover the best fiber optic manufacturers globally, offering cutting-edge multimode and single mode fiber solutions. See who tops the list for quality



Optical Fiber Market: Industry Analysis And Forecast

Based on Type, the market is segmented into Single Mode Optical Fiber and Multimode Optical Fiber. Single Mode Optical Fiber segment dominated the

Multimode Fiber

Multimode fiber is defined as a type of optical fiber with a relatively large core (typically 50-60 mm) that can propagate multiple light modes simultaneously, making it suitable for high bandwidth applications



Fiber Optic Cable Types , Omnitron Systems Guide

From the fiber core and core size to single mode fiber and multimode fiber cables, each type of optical cable serves a specific purpose depending on transmission



Fiber Optic Cable Types Explained

Our comprehensive guide to types of fiber optic cables. Learn all about the differences between single mode and multimode cables, as well as the various



E2000 Fiber Optic Connector Kit Price and Specification

E2000 fiber optic connectors and related products include both single mode and multimode types. There are single mode E2000 UPC connector, single mode

Everything You Need to Know About Multimode Fiber

Multimode fiber (MMF) is an optical fiber designed to carry multiple light propagation paths--or modes--simultaneously. This is made possible by its





Single & Multi-Mode Optical Fiber Solutions , Prysmian

Prysmian proudly offers an impressive array of premium optical fiber products, featuring Bend-Optimized Single-Mode, Reduced-Diameter Single-Mode, and

Single Mode vs Multimode Fiber Explained , TRG

Understand the difference between single mode and multimode fiber, including performance, cost, and use cases, to choose the right fiber for your network.



An Extensive Library of Self-Developed Products



Optical Fiber: Single-Mode Multimode Single-Fiber Dual

If you're just starting to learn about fiber optics, you might come across four common terms: single fiber vs dual fiber, single mode vs multimode fibre.

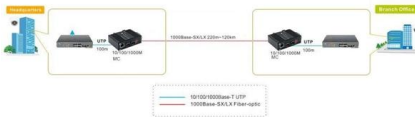
24 Cores GYTS Fiber Optic Cable Stranded Steel Tape

24 Core GYTS Fiber Optic Cable is the outdoor fiber optic cable type used for duct and aerial applications. We supply single mode GYTS fiber optical cable and



Multimode-Coreless-Multimode Fiber-Based Sensors: Theoretical and

This paper presents a complete study on the spectral behavior of a multimode-coreless-multimode fiber-optic structure, as well as its application as a refractometer and a liquid level sensor.



Fiber Optic Cables , Fiber Patch Cables , Patch Cords,

Fiber Patch Cables, Multimode & Singlemode Duplex Fiber Optic Cables, Secure Order Fiber Patch Cords, Preferred Mil. Edu. Gov. Pricing, Same Day Shipping



Fiber Optic Patch Cord, Single Mode & Multimode Patch

According to fiber types, optical fiber patch cables are classified into singlemode and multimode fiber optic patch cord. Singlemode fiber optic patch cord usually comes





Optical fiber tweezers: From fabrication to applications

Abstract Optical tweezers have been widely used for optical trapping and manipulating particles at the microscopic scale with a tightly focused laser beam. Over the recent years, optical



Fiber Optic Cables

CommScope designs and manufactures a comprehensive line of fiber optic cables--from outside plant to indoor/outdoor and fire-rated indoor fiber cables.

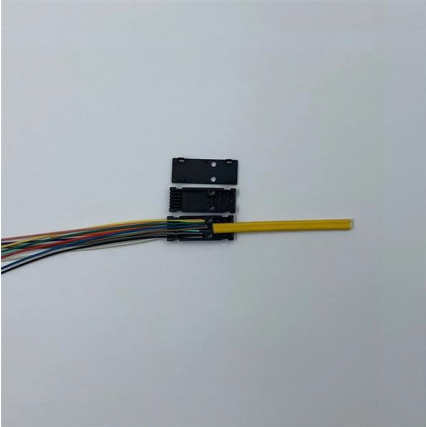
Fiber Optic Cable Pricing Guide: Factors That Affect

3. Fiber Type: Single-mode vs. Multimode Single-mode fiber (OS2) is typically used for long-distance networks and has a slightly lower raw cost per



Open channel exposed core microstructured fibers for sensing both

A compact fiber-optic temperature sensor based on refractive index liquid (RIL) functionalized side-hole microstructured optical fibers (SHMOFs) is proposed and experimentally



Contact Us

For datasheets, pricing, or custom telecom energy solutions, please visit:
<https://koskolong.co.za>