



**Adam Tas Corridor Energy**

# **Is green optical fiber a multimode cable**





## Is green optical fiber a multimode cable

---



### Multi-mode optical fiber

Multi-mode optical fiber is a type of optical fiber mostly used for communication over short distances, such as within a building or on a campus. Multi-mode links can

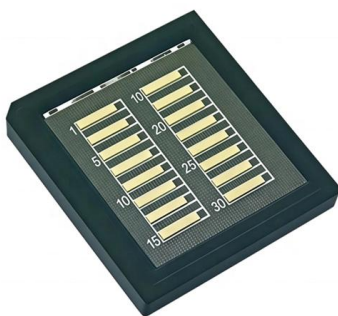
### Fiber Optic Cable Color Code: Complete Installation and

Fibers, cable jackets and connectors are clearly marked using a standardized fiber optic color code. Learn more about how this works.



### Amazon : Fiber Optic Coupler

Discover fiber optic couplers for network connectivity. Find SC, LC, and ST adapters with low insertion loss for reliable connections.



### Fiber Optic Cable Types , Omnitron Systems Guide

Conclusion Understanding fiber optic cable types, fiber core sizes, and proper installation methods



is essential for building high-speed, reliable fiber networks.



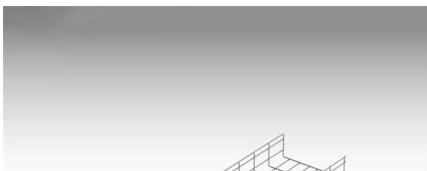
### Multimode OM3 Fiber-Optic Cable , McMaster-Carr

Choose from our selection of multimode OM3 fiber-optic cable in a wide range of styles and sizes. Same and Next Day Delivery.



### Cost of Fiber Optic Cable: Pricing Guide (2026)

Discover the cost of fiber optic cable in this pricing guide. Learn material prices, installation factors, and what impacts total project costs overall.



Grid Cable for marine and offshore applications

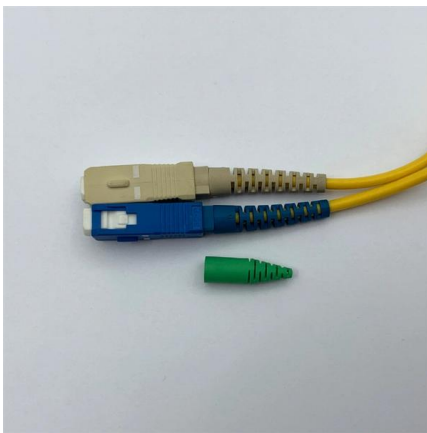
### Fiber-optic cable

A fiber-optic cable, also known as an optical-fiber cable, is an assembly similar to an electrical cable but containing one or more optical fibers that are used to carry



## Multimode Fiber Cable: Types, Uses, Advantages

What is Multi Mode Fiber? Definition: Multimode fiber has another name the " Multi-Mode Optical Fiber ". It is especial type of optical fiber that



### Blackbox OM1 62.5/125 Multimode Fiber Optic Patch Cable

Blackbox OM1 62.5/125 Multimode Fiber Optic Patch Cable - Ofnp Plenum, St-St, Green, 10-M (32.8-Ft.), Gsa, Taa, Non-Returnable/Non-Cancelable - FOCMP62-010M-STST-GN

## How to Choose the Right Multimode Fiber: OM1 vs. OM2 vs. OM3 vs.

Orange cables, light blue cables, and now lemon green cables. But what do these colors actually mean for network speed and budget? This guide will unveil the mysteries of five types of multimode fiber



### Fiber Color Code Guide: TIA-598 Standard Explained

Understand the TIA-598 fiber color code system for jackets, fibers, and connectors. Learn color meanings for single-mode and multimode optical cables.



### **OM5 LC/LC UPC Duplex Multimode Fiber Optic Patch Cable -**

Shop OM5 LC/LC UPC LSZH/OFNR dual-rated multimode fiber optic patch cables in lime green. Supports 10G to 400G networking, SWDM-ready, backward compatible with OM4/OM3, ideal for



### **Quality Bulk Multimode & Single Mode Fiber Optic Cables**

Bulk Fiber Optic Cable - Multimode & Singlemode  
Shop our diverse range of bulk fiber optic cables, tailored for various networking needs. We provide both single

### **What Is Multimode Fiber for Networking? , Equal Optics**

Multimode fiber optics provides many benefits for organizations that require high-speed networking and data transfer capabilities. Multimode can transmit Ethernet and internet protocols in





MTP MPO SC-Type Fiber Adapter



## Guide To Multimode Fiber (62.5um & 50um, OM1 to OM5)

Guide To Multimode Fiber (62.5um & 50um, OM1 to OM5) What is multimode fiber optic glass? Multimode fiber optic cable (or glass) is a common specification of

## Single Mode vs Multimode Fiber: Choosing the Right

Singlemode vs. multimode fiber: Learn the core differences in distance, speed, and cost. Our guide helps you choose the right fiber for your



## Multimode Fiber Types: OM1 vs OM2 vs OM3 vs OM4

Multimode fiber (MMF) is a kind of optical fiber mostly used in communication over short distances, for example, inside a building or for the

## 10M OM3 LC to LC Fiber Patch Cable, 10Gb Multi-Mode

About this item OM3 Multimode Fiber: 10 meter/33 ft OM3 LC to LC Multimode Duplex Fiber Optic Cable, MMF, UPC Polish, 50/125um; It is designed for



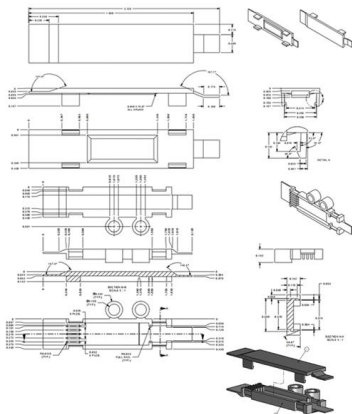
## Types of Optical Fibers: Single-Mode vs. Multimode, Applications and

Types of optical fibers, their applications and future trends is the topic of this blog article. Optical fibers are among the most transformative technologies in modern photonics, quietly enabling



### LC UPC to LC UPC Duplex OM5 2.0mm LSZH Multimode Fiber Optic Patch Cable

Specifications 3m LC UPC Duplex to LC UPC Duplex OM5 50/125 Multimode Fiber Patch Cable, 2 Fibers, LSZH, Lime Green OM5 fiber patch cables are designed for high-speed, short-to-medium



### Multimode Fiber Types: OM1 vs OM2 vs OM3 vs OM4

While single-mode fiber (SMF) dominates long-distance and carrier-grade infrastructure, multimode fiber remains the most cost-efficient and practical



## 20 Meter

This 20-meter LC to LC 50/125 OM4 duplex multimode fiber optic cable with a green jacket provides high-performance data transmission for professional networks.



## Multimode Fiber Optic Patch Cables

Thorlabs offers a variety of step-index and graded-index multimode fiber optic patch cables with standard FC/PC or SMA connectors, including square-core fiber. AR-coated and uncoated fluoride

## Fiber Optic Cable Types Explained

Our comprehensive guide to types of fiber optic cables. Learn all about the differences between single mode and multimode cables, as well as the various



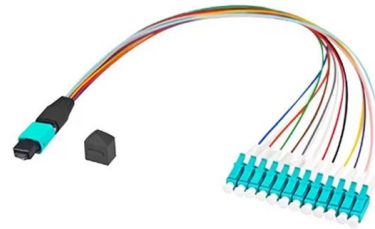
## OM1 vs OM2 vs OM3 vs OM4 vs OM5: Understanding

Classified under the ISO 11810 standard, multimode fibers are categorized into OM1 through OM5, each designed to meet specific bandwidth



## Fiber Optic Cable Types: Comprehensive Guide

Explore the different types of fiber optic cables and understand which type suits your specific needs for speed, distance, and durability.



## Contact Us

---

For datasheets, pricing, or custom telecom energy solutions, please visit:  
<https://koskolong.co.za>