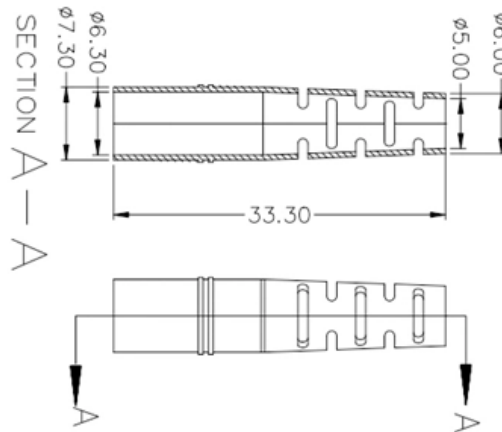




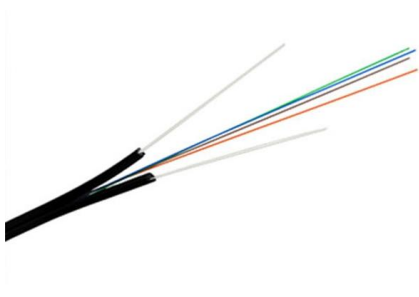
Adam Tas Corridor Energy

Ivory Coast Overseas Warehouse Fiber Optic Cable Junction Box 24 Cores





Ivory Coast Overseas Warehouse Fiber Optic Cable Junction Box 24

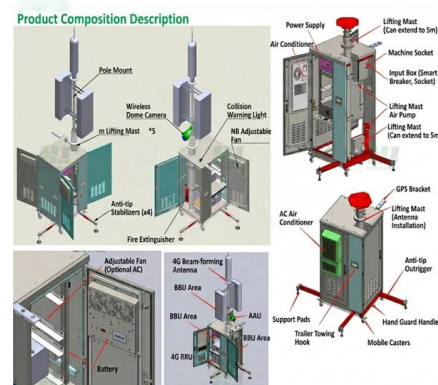


Ivory Coast Warehousing and Distribution , Maersk

Present in over 50 countries and backed by our extensive ocean network, our teams of local experts-on-the-ground are ready to advise you on the best solution for

Decko

Decko provides a full spectrum of contract services to communications companies from engineering and construction to cable installation and splicing and system



50KW modular power converter



Industrial Fiber Optic Distribution Boxes , 1-24 Cores

We offer a wide range of 1-24 core FDB boxes and ODF cabinets for indoor/outdoor FTTH deployment. Durable, IP65 rated, and easy to install. Browse our models

Côte d'Ivoire

The most common types of twisted pair cables used in structured cabling are UTP (Unshielded Twisted Pair) and FTP (Foiled Twisted Pair). Fiber



optic cables are another type of cabling used in structured



12 Port Fiber Access Terminal Box with 2 Cable Inlet For

The 2 ports fiber optic junction box allows max 12 cores splicing and 1x8 splitting, Widely used in residential, business buildings for cable distribution.



Which Fiber Optic Junction Box is Best?

When it comes to fiber optic junction boxes, a variety of options are available. Usually, a common question asked by customers is which box is best for their application.



24 Core Joint Box High Quality FTTX Fiber Splice Closure ONU

24 Core Joint Box Fiber Optic Splice Closure, also known as a fiber optic junction box or optic joint closure, is a critical component designed for protecting.



24 Core Fiber Optic Termination Box/ Junction Box

Product Description FTKS-1805-16F 24 core Fiber Optic Termination Box/ Junction box 1.Product Description This box is used as a termination point for the feeder

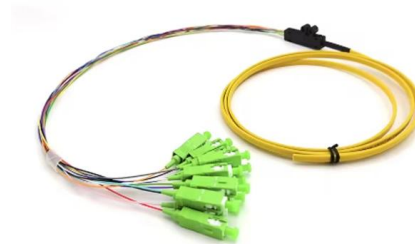


24 Cores Fiber Optic Junction Box/ Terminal Box with

Product Description FTKS-1805-24A1 24 Cores Fiber Optic Junction Box/ Terminal Box with pigtail and connector inside 1.Product Description The equipment is

Côte d'Ivoire plans to deploy 5,207 kilometers of fiber

Côte d'Ivoire plans to activate 5,207 kilometers of fiber optic cable in the coming months, part of a total 7,000 km to be deployed nationwide by 2025, according to



Ivory Coast Fiber Optic Connectivity Market (2025-2031) , Industry

Our analysts track relevant industries related to the Ivory Coast Fiber Optic Connectivity Market, allowing our clients with actionable intelligence and reliable forecasts tailored to emerging regional

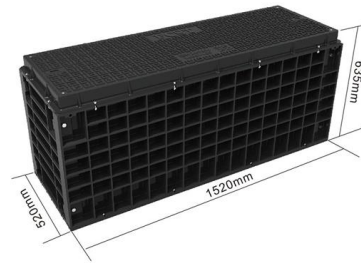


PRODUCT CATEGORY

Open rack Series	2post Heavy rack	12U Apert open rack	18" Depth Wall rack	Adjustable Depth Open rack
Wall mount rack Series	Glass door Wall mount rack	Mesh door Wall mount rack	Double section Wall mount rack	Economic type Wall mount rack
Floor standing server rack	Glass door with casters	Mesh door with casters	42U Standard Server rack	Double open door Server rack
Outdoor cabinet	air conditioner Outdoor cabinet	Outdoor cabinet with pinth	Outdoor cabinet with fan cooling	Double Wall Outdoor cabinet
Splitter series	Bare Fiber Splitters	Blackless Fiber Splitters	ABS Splitter	Flange Splitters
Splitter series	LCX Splitters	Back Mount Splitters	Mini Plug-in Type Splitter	Tray Splitters
Patch cord series	LCV	SC	FC	LC-C
FTTH product series	http://pic.en.alibaba.com			

Fiber Optic Cables Installation Process for Warehouses

Conclusion Installing fiber optic cables in a warehouse is a transformative step towards enhancing communication and operational efficiency. By following a structured installation process, including



GJS-24-D(PLC) 24 Cores SC Fiber Optic Joint Closure

GJS-24-D (PLC) 24 Cores SC fiber optic joint closure is a kind of small junction box that is used to join the fiber bundles and protect them during cabling installation,



Fiber Terminal Box VS. Junction Box: What is the

Discover the key differences between fiber terminal boxes and junction boxes to choose the right solution for your network setup.





Ivory Coast Fiber Optic Component Market (2025-2031) , Companies

6Wresearch actively monitors the Ivory Coast Fiber Optic Component Market and publishes its comprehensive annual report, highlighting emerging trends, growth drivers, revenue analysis, and

Ivory Coast Warehousing and Distribution , Maersk

Core product Present in over 50 countries and backed by our extensive ocean network, our teams of local experts-on-the-ground are ready to advise you on the



24 Port Fiber Distribution Box, Blockless Splitter Ready

24 ports fiber optic splitter distribution box is used for feeder cable to connect with drop cable in ftth& fftb communication network.



Ivory Coast Fibre Optic Cables Market (2025-2031) , Trends & Value

Ivory Coast Fibre Optic Cables Market is expected to grow during 2025-2031



Industrial Fiber Optic Distribution Boxes , 1-24 Cores

OTRANS is a leading fiber optic distribution box manufacturer. We offer a wide range of 1-24 core FDB boxes and ODF cabinets for indoor/outdoor FTTX deployment.



SJ-ODB-M15 Fiber Optic Junction Box 48 Cores

SJ-ODB-M15 fiber optic junction box 48 cores is designed for cable management, it provides protection for fiber optic cables and easy installation. With the



List of terrestrial fibre optic cable projects in Africa

While submarine communications cables are used to connect countries and continents to the Internet, terrestrial fibre optic cables are used to extend this connectivity to landlocked countries or to urban



Orange extends its fibre optic network in Ivory Coast:

Orange Côte d'Ivoire is pursuing its ambition to cover the entire Ivorian territory with its fiber optic network. After the official opening of the towns



Actemium's Undersea Fiber-Optic Landing Station in

Actemium Le Mans Energies & Process is leading the construction of an undersea fiber-optic landing station in Abidjan, Ivory Coast. This station marks



Ivory Coast - Alonso Forwarding

Alonso Group's Ivory Coast branch, Alonso Forwarding Ivory Coast, with an office in the economic capital Abidjan, offers a wide range of logistics services. They cover both import and export

Ivory Coast Fiber Optics Market (2025-2031) , Industry & Outlook Growth

The fiber optics import shipments to Ivory Coast in 2024 continued to be dominated by top exporters such as China, France, Spain, Norway, and others. The Herfindahl-Hirschman Index (HHI) indicated



Ivory Coast Fiber Optic Connectors Market (2025-2031) , Trends

The Fiber Optic Connectors market in Cote d'Ivoire is projected to grow at a exponential growth rate of 17.56% by 2027, highlighting the country's increasing focus on advanced technologies within the



IVORY COAST

With strong multimodal capabilities across air, sea, rail, and road, we connect Côte d'Ivoire to key trade corridors in Burkina Faso, Mali, and Ghana, facilitating the seamless flow of goods between the coast

Ivory Coast Fiber Optic Components Market (2025-2031)

6Wresearch actively monitors the Ivory Coast Fiber Optic Components Market and publishes its comprehensive annual report, highlighting emerging trends, growth drivers, revenue analysis, and





24 Ports 96 Cores PP Drop Cable IP68 Wall Mounted

24 Ports 96 Cores PP Drop Cable IP68 Wall Mounted Fiber Optic Junction Box Inline Closure FDB0224F is designed to seal without screws and buckles. The compact

Contact Us

For datasheets, pricing, or custom telecom energy solutions, please visit:
<https://koskolong.co.za>