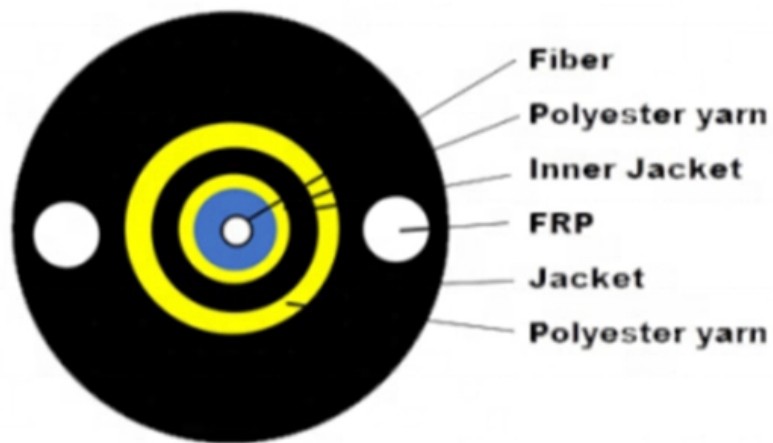




# Japanese cable management frame





## Japanese cable management frame

---



### Cable Management System Market in Japan

Cable Management System in Japan Trends and Forecast The future of the cable management system market in Japan looks promising with opportunities in the IT & telecom, manufacturing, energy &

### Japanese Cable Management Strap

Streamline your space with the Japanese Cable Management Strap. Secure your data wires and computer plug-in cables with ease. Get yours today!



### Japan Residential Wire and Cable Management Market: Trends

The Japan residential wire and cable management market is undergoing significant transformation driven by rapid urbanization, the adoption of smart home technologies, and energy

### Cable Management

Cabinets, Thermal Management, Racks and Enclosures Our vast selection of cabinets, thermal management, racks, enclosures for data



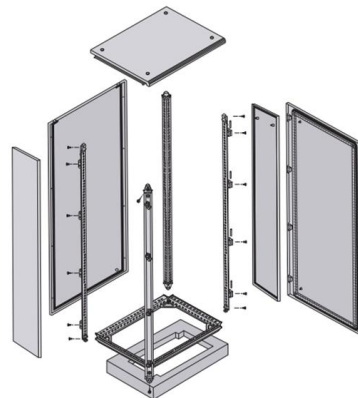
### Horizontal Cable Managers

Keep network cables organized and protected with our horizontal cable manager. Its cable management features and secure enclosure ensure a tidy and efficient rack



### Cable Management System Market in Japan

With increasing demand for efficient solutions, high-performance products, and eco-friendly materials, these trends are reshaping how industries like telecommunications, manufacturing, and construction



### Japan Industrial and Commercial Non-Metallic Cable Management

Overall, the commercial segment in Japan presents a substantial growth opportunity for non-metallic cable management systems, driven by a combination of functional, aesthetic, and regulatory



## Learning Network Cable Management

In this video I build an open frame network rack from scratch, explaining along the way the each step and the reason I am doing it the way that I am. This is intended for a small business network



## Japan Cable Management for Office Application Market Size By

Japan Cable Management for Office Application Market was valued at USD 400 Million in 2022 and is projected to reach USD 700 Million by 2030, growing at a CAGR of 7.2% from 2024 to

## Exploring Japanese Innovations: The Art and Precision of Cable

Technological Advancements Advancements in technology, such as the integration of IoT and automation, are shaping the cable assembly market. Japanese manufacturers are at the



## Japan Cable Management Market Overview, 2030

As a country renowned for its technological prowess and meticulous attention to detail, Japan has cultivated a cable management market that caters to diverse sectors, including IT,



## Japan Cable Management System Market Size And Outlook 2033

Japanese manufacturers are investing heavily in IoT-enabled and modular cable management systems. Growth is supported by modernization of aging infrastructure and expansion of data centers.



## Cable Management

A broad selection of Cable Pathways products and Vertical and Horizontal Cable Managers in configurations that meet customer's exact requirements from low to

## Japan Cable Management Market: Consumer Behavior, Digital

Japan Potential Factors for the Growth of Cable Management Market Q1: What factors make Japan a key market? A1: Japan's focus on smart factories, aging population-led infrastructure



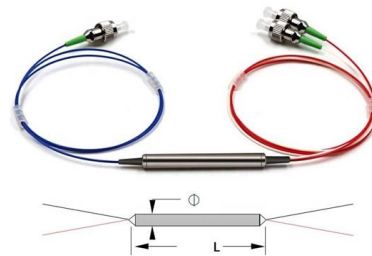


## Japan Cable Management System Market Size And Outlook 2033

Japan remains a significant market for cable management systems driven by ongoing infrastructure upgrades, smart building initiatives, and technological innovation.

## Japan Cable Management System Market (2025-2031) , Challenges

In Japan, the cable management system market is witnessing a growing demand for innovative solutions that promote organization, efficiency, and safety in various industries such as IT, healthcare, and



## Cable Management Systems Market in Japan , Report

The Japanese cable management systems market represents a critical infrastructure segment, underpinning the nation's advanced industrial base and digital transformation initiatives.

## Horizontal & Vertical Cable Managers

Organize network infrastructure with CommScope Horizontal and Vertical Cable Management Kits. Sturdy aluminum structures, troughs, spools, and trays keep cables secure and concealed.



## Industrial Cable Management & Metal Framing , Metsec

Metsec experts come together to discuss the types and benefits of industrial cable management and metal framing systems. Find out more here.



## Japan Building Cable Management Systems Market

The country research report on Japan building cable management systems market is a customer intelligence and competitive study of the Japanese market. Moreover, the report provides deep



## Installing Chassis Header and Cable Management Frames

Confirm the number of cable management frames before the installation. The CE12804, CE12808, CE12812, CE12816, CE12804S, and CE12808S switches use four, six, eight, ten, ten, two, and four





## Cable Wraps

Keep your Data Center tidy and organized, with our selection of cable management panels, raceways, and ties. , Japan

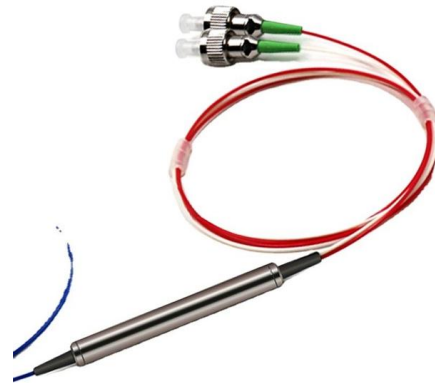


## Cable Routing Solutions , Cables , StarTech Japan

Cable Routing Solutions Made from sturdy and durable materials, our best in class Cable Routing products and accessories give you the ability to hold heavy and bulky wiring over long distances. Our

## Frames, Racks & Hardware

CommScope offers a variety of easy-to-install frames, racks and cabinets specially engineered for network equipment and fiber cable management.



## Contact Us

---

For datasheets, pricing, or custom telecom energy solutions, please visit:  
<https://koskolong.co.za>