



Adam Tas Corridor Energy

Long Norwegian Subsidiary





Long Norwegian Subsidiary

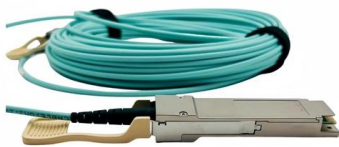


Norwegian Long Haul

Norwegian Long Haul AS was a division of Norwegian Air Shuttle that operated long-haul flights between Europe, Asia, and North America. The airline's fleet

Norwegian Cruise Line

Norwegian Caribbean Line's first ship Sunward The cruise line was founded in 1966 by Norwegian Knut Kloster and Israeli Ted Arison, with the 8,666-ton, 140 m (460



Lone Star Announces Norwegian Subsidiary, Lone Star Analysis AS

Lone Star has officially launched Lone Star Analysis AS, a Norwegian subsidiary focused on growing operations & offerings in Northern Europe.

Long-Haul Expansion by a Norwegian Carrier Upsets

American labor groups, airlines and pilots say Norwegian Air Shuttle's expansion plans take



unfair advantage of a U.S.-Europe open-skies agreement.



Set Up A Subsidiary Company In Norway , Expand In Nordic Market

A subsidiary company in Norway enables your company to operate as a fully legal and recognised Norwegian entity, fostering credibility with local stakeholders, customers, suppliers, and authorities.

Norwegian Air 'Long Haul' Goes Bust, No More USA,

Love cheap long haul flights? It's a sad day for you, as Norwegian Air shuts its long haul operation. Norwegian Air has been against the proverbial

Pre-Terminated Patch Panel

- Multi-application support
- Flexible configuration
- Modular design



Cable Gland Plug
28mm Cable Gland Plug



MPO LC up to 96 cores
MPO direct connection 48 ports



Mounting Bracket
Semi-open mounting holes

How To Set Up Subsidiaries In Norway , Business

Read the step-by-step guide on setting up subsidiaries in Norway, simplifying the process for your international expansion. This comprehensive





Corporate Structure

The Norwegian Group consists of the parent company, Norwegian Air Shuttle ASA, and its directly or indirectly owned subsidiaries in Norway, Sweden, Denmark,



Setting Up a Subsidiary Company in Norway , Multiplier

Benefits of Setting Up a Norway Subsidiary The perks of setting up a subsidiary company in Norway are discussed below. A foreign company is not accountable for the subsidiary's liabilities

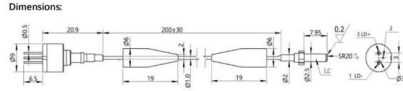
Who Owns Norwegian Cruise Line? A Comprehensive Guide

Norwegian Cruise Line's Parent Company Norwegian Cruise Line Holdings Ltd. is the parent company of Norwegian Cruise Line. Understanding this parent-subsidiary relationship is



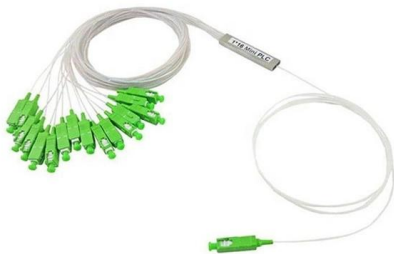
Norwegian's UK subsidiary seeks US permissions to fuel long-haul

Low-cost airline Norwegian's UK subsidiary has received "tentative approval" for a US foreign air carrier permit which it believes will enable it to better use its fleet to fuel its long-haul



Norwegian Drops All Transatlantic Flights, Liquidates Long Haul

Last year on March 6 I identified Norwegian's failure as a coronavirus risk. Now they've announced the end of long haul flying. In October Norway's government discussed and then declined



Norwegian Air Shuttle's long-haul business model. "Flag

Norwegian Air Shuttle has implemented changes to its corporate structure, involving the establishment of two fully owned subsidiaries - one in Norway and one in

Norwegian Subsidiaries Abroad - SSB

The statistics provide an overview of Norwegian subsidiaries abroad. By looking at foreign enterprises controlled from Norway, we get an insight into the activities of Norwegian





Norwegian Group Airline Group Profile , CAPA

About Headquartered in Fornebu, the Norwegian Group's commercial airline activities are organised under parent company Norwegian Air Shuttle ASA. The group also has other airline-related



Norwegian set-ups new long-haul subsidiary ahead of B787-8 operations

Norwegian Long Haul currently operates B737-800 LN-NOL (MSN 37159) on lease from Norwegian on regular Norwegian flights as the new subsidiary needs to have an aircraft on its air operator



Norwegian Air sells stake in bank subsidiary for \$245m

Norwegian Air is to sell its stake in its profitable bank subsidiary as the embattled low-cost carrier seeks to shore up its finances ahead of a crucial winter.

Brands :: Norwegian Cruise Line Holdings Ltd. (NCLH)

As the innovator in global cruise travel, Norwegian Cruise Line has been breaking the boundaries of traditional cruising for over 59 years. Its tagline, "It's Different

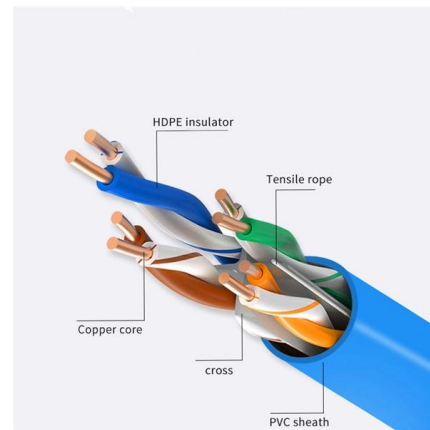


Lone Star Analysis Announces Norwegian Subsidiary,

Lone Star Analysis has launched Lone Star Analysis AS, a Norwegian subsidiary focused on growing the company's operations in Northern Europe.

Norwegian Long Haul

In January 2012, Norwegian Long Haul was established as a subsidiary of Norwegian Air Shuttle in order to operate the planned long-haul services, and by this period Norwegian had six Boeing 787-8s



Year By Year , Norwegian

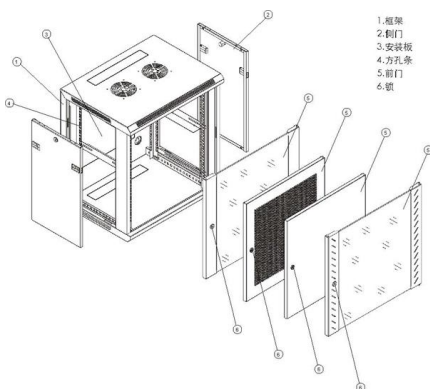
Norwegian today has an adapted fleet size and a simplified and effective corporate structure. Norwegian experienced increased demand in 2021 and looking ahead to 2022 the airline will increase





Norwegian Air Shuttle

Until January 2021, Norwegian's former long-haul subsidiaries Norwegian Air UK and Norwegian Long Haul operated long-haul flights on behalf of the company, after



Norwegian Long Haul Explained

What is Norwegian Long Haul? Norwegian Long Haul was a division of Norwegian Air Shuttle that operated long-haul flights between Europe, Asia, and North

Norwegian Air Shuttle's long-haul business model. "Flag

Norwegian Air Shuttle implemented changes to its corporate structure in 2013, establishing two fully owned subsidiaries in Norway and Ireland. The Irish



Our story

Founded in 1993, Norwegian is the third largest low-cost carrier in Europe with around 5,500 employees. Here's our story.



Subsidiaries of Norwegian Cruise Line Holdings

Norwegian Cruise Line Holdings (NCLH) is a holding company that is domiciled in Bermuda and based in the United States. It operates three cruise lines as wholly owned subsidiaries: Norwegian Cruise

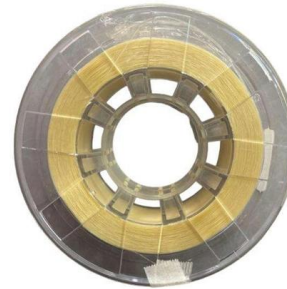


Norwegian Long Haul , World Airline News

Norwegian Long Haul (Norwegian) (Oslo) continues to expand its long route network with new destinations. Norwegian will launch nonstop flights to San Juan, Puerto Rico from Stockholm

Doing business in Norway

A Branch of foreign incorporated companies - "NUF" - Norsk registrert utenlandsk foretak Partnerships, or "ANS" or "KS" Cross border businesses into



Contact Us

For datasheets, pricing, or custom telecom energy solutions, please visit:
<https://koskolong.co.za>