



Adam Tas Corridor Energy

MPO connector flat strip





Overview

The fusion splice MPO connector is a multimode 50/125 μ m OM3/OM4 fiber connector, intended for unjacketed flat ribbon fiber cable installation. Designed to unleash high-speed data center capabilities, MPO Cable Assemblies and Adapters use high-density MTP and MPO-style connectors to deliver streamlined connectivity, high port density, superior loss performance and simplified maintenance for the high-bandwidth networks of tomorrow. High density in a robust package: Phoenix Contact introduces industrial-grade MPO connectors for real-time data transmission in intelligent power grids. The MPO-PLUS[®] connector is the pinnacle of multi-fiber development, representing the most precise, feature-rich MPO connector on the market. SENKO is leading the way in low-loss MPO ferrules that exceed the standard and deliver the maximum amount of network agility and link performance to deliver.



MPO connector flat strip



Buy MPO Connector for Data Centers & Telecom , FSG

Buy MPO Connector for high-speed fiber networks, telecom & AI infrastructure. Reliable fiber connectivity with fast global supply. Request a free quote now.

What are MPO connectors?

MPO connectors will still thrive in many market segments while newer multi-fiber connector will also expand their usages and product features and



Buy MPO Connector for Data Centers & Telecom , FSG

Each connector uses precise MT ferrules to keep the fibers perfectly aligned, ensuring stable, accurate connections. These MPO cable connectors are built for

MPO vs MTP Connectors: Key Differences Explained

Understand the key differences between MPO and MTP connectors. Learn about performance



specs, compatibility, and choosing the right multi-fiber



MPO Cable Assemblies

MPO Cable Assemblies Features o High density, plug and play fiber optic interconnects o Pre-terminated cable assemblies eliminate field termination time



MPO Connector , Fiber Connector , MTP Connector

MTP/MPO pre-termination save time and reduce the risk of damage fragile optical connectors, the plug and play system is the perfect solution for today's optical



MPO Fiber Cables Assemblies , Clearfield

MPO terminations offer great plug-and-play solutions. Using MPO multi-fiber assemblies can eliminate termination and splicing in the field,



Understanding MPO Fiber: A Comprehensive Guide to

Explore the world of MPO fiber connectors and multi-fiber optic cables in our comprehensive guide. Learn about MTP cables, connectors, and more.

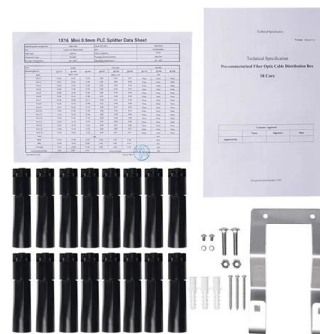


What is MPO Cable? A Comprehensive Guide to MPO

What is MPO Cable MPO cable is a type of fiber optic cable that has become increasingly popular in recent years due to its high data transmission capacity

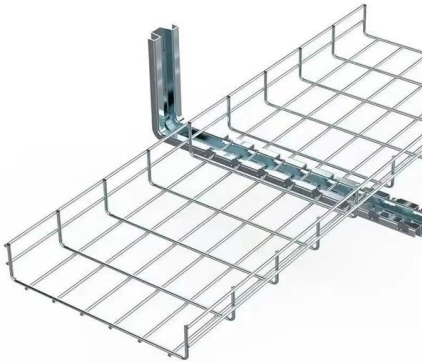
What Is an MPO Connector? Complete 2025 Guide

The connector follows international standards IEC 61754-7 and TIA-604-5 (FOCIS 5), ensuring interoperability between manufacturers. As data



MPO Connector Assembly with MT Ferrule

Explore MPO connector assembly solutions with MT Ferrule-specific fixturing, tools, and materials for high-density network cabling systems like data centers.



M17 MPO series FO data connectors

High density in a robust package: Phoenix Contact introduces industrial-grade MPO connectors for real-time data transmission in intelligent power grids. The robust interfaces feature high-quality fiber



MTP® connectors & systems: MTP®/MPO cables & connectors

Quick and straightforward installation: Connect multiple fibers in a single action without the need for tools. This not only reduces labour time but also economises on costs, streamlining both network

MPO Connector Series » SENKO Advanced

SENKO's MPO-PLUS® connector has the lowest insertion loss on the market thanks to its precision ferrules and superior guide-pin alignment. This enhanced



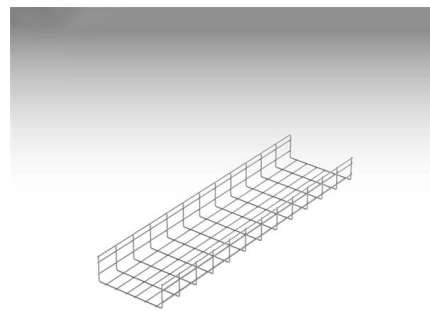


MPO (Female) OS1/OS2 Single Mode Field Assembly Splice-on Connector

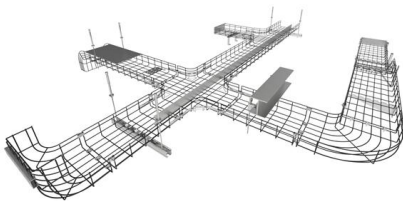
The fusion splice MPO connector is a single mode 9/125mm OS1/OS2 fiber connector, intended for unjacketed flat ribbon fiber cable installation. This connector is pinless (Female), standard insertion

MPO 16F 32F Connector, HYC Co., Ltd

MPO connector comes with multifiber applies to high density in data center or telecommunication systems. It depends on the high precision metal guide pin and



Grid Cable for marine and offshore applications



MPO Connector Solution Guide

Our MPO connector addresses the needs of our customers, providing an effective, no-fuss, high-performance, highly reliable MPO connector to support their critical networks.

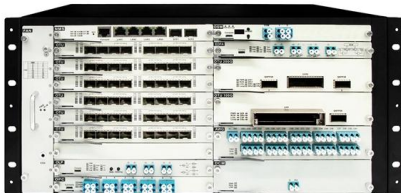
Get to Know Your MPO

Get to Know Your MPO MPO (Multifiber Push On) connectors were the first connectors designed to house multiple optical fibers in a single ferrule.



MPO Connector of Flat Ribbon Cable

MPO Connector of Flat Ribbon Cable MPO Connector of Flat Ribbon Cable As difference on boot and housing, there are these types for MPO connectors: normal type, MPO-MINI connector, high density



24 Fiber MPO Cable, Standard Male Custom Cable

MPO connectors have answered the call for more bandwidth and more space efficiency. Our MPO to MPO Multimode Fiber Optic Cable Assemblies have many



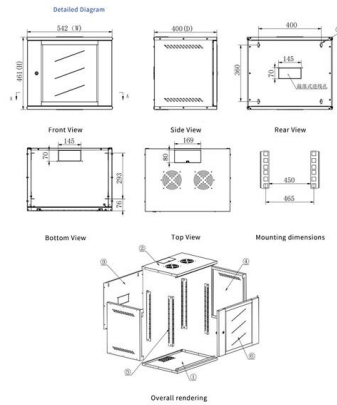
How to Deploy MTP/MPO Cables and Connections?

MPO Connector Color Coding MPO connectors can be color-coded to help you easily distinguish between the different types and specifications. MPO



MTP MPO Cable Guide: Types, Polarity & Connections

Master MTP MPO cables with our complete guide. Learn connector types, polarity (A/B/C), keying positions, and applications for 100G-400G networks.



MPO Cables and Adapters , Molex

High-performance MPO cable solutions and adapters from Molex ensure fast, reliable data transmission with superior connectivity for high-density network

MPO Connector - Compact, High-Density Fiber Optic

The MPO optical connector design includes a flat or angled ferrule to minimize back reflection, ensuring signal stability and consistent throughput across all fiber



MPO Fiber Cables Assemblies , Clearfield

MPO Assemblies are multi-fiber cables terminated into multi-fiber connectors. These cables can be used in indoor or outdoor applications. MPO terminations offer



MPO (Male) OM3/OM4 Multimode Field Assembly

The fusion splice MPO connector is a multimode 50/125mm OM3/OM4 fiber connector, intended for unjacketed flat ribbon fiber cable installation. This



Contact Us

For datasheets, pricing, or custom telecom energy solutions, please visit:
<https://koskolong.co.za>