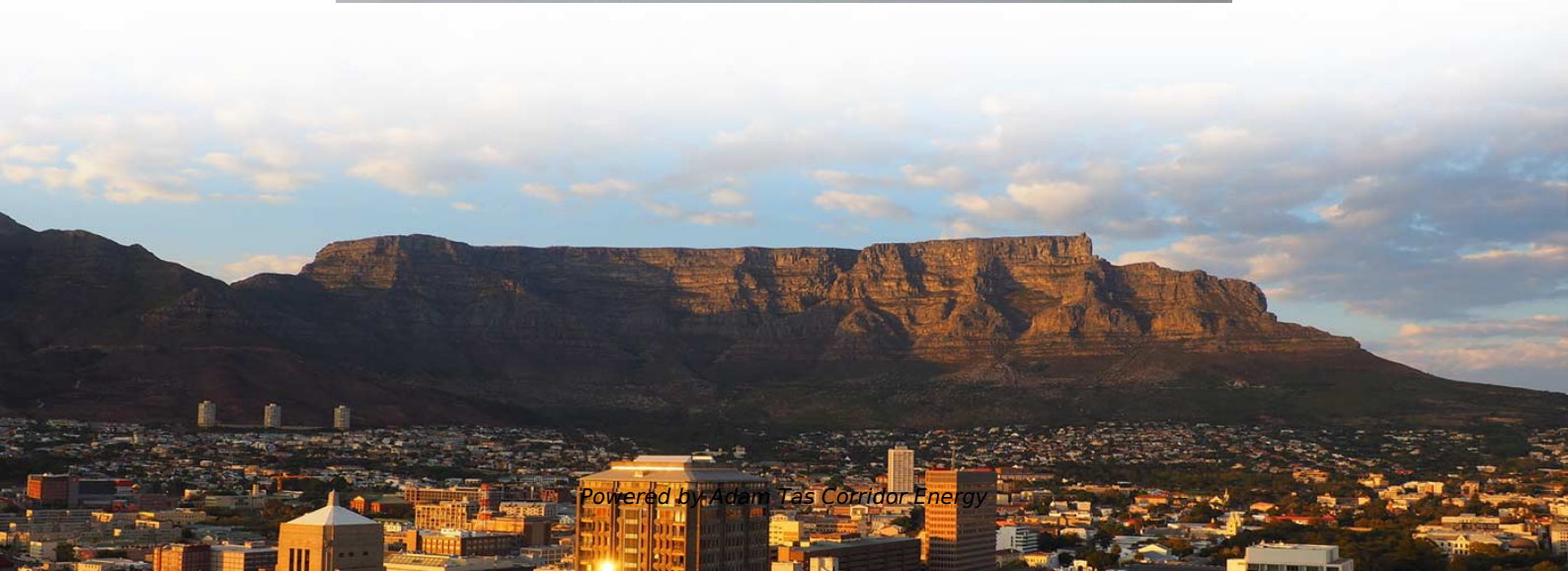




Adam Tas Corridor Energy

Main line pulled by vertical shaft cable tray





Main line pulled by vertical shaft cable tray



Cable tray manual

INTRODUCTION The B-Line series Cable Tray Manual was produced by our technical staff. We recognize the need for a complete cable tray reference source for electrical engineers and designers.

Don't Get Pulled in the Wrong Direction , EC& M

For vertical pathways, you can pull cabling more easily from the top down rather than from the bottom up because gravity helps with the pull. This is

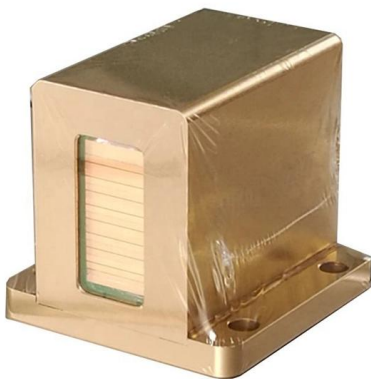


Cable Tray Technical Guide A practical guide to product selection and

Cable tray is considered to be a system. It must provide continuous support for cables, and the electrical continuity of the cable tray system must be maintained.

Multiple cable pulling made easy

problem When routing tray in either the ceiling or underfloor, vertical changes must often be made to address installations of plumbing;



Cable Pulling Method Statement for Riau Project

This method statement provides the procedure for cable pulling on trays, duct banks, and trenches for the Riau GFPP 275MW IPP Project. It outlines the roles and

Types of Cable Trays - Purpose, Advantages,

Cable tray is alternatives to wire ways and electrical conduits, which completely enclose cables. Study types of cable trays, purpose, advantages.



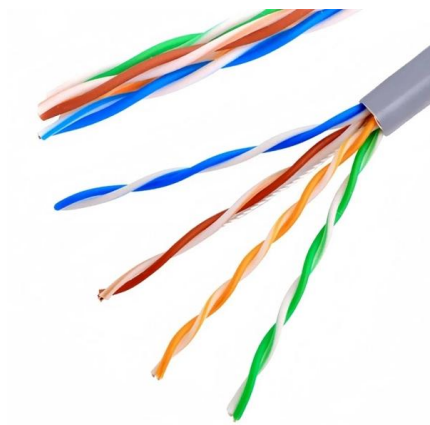
Best Practice Guide to Cable Ladder and Cable Tray Systems

This guide covers cable ladder systems, cable tray systems, channel support systems and associated supports intended for the support and accommodation of cables and possibly other electrical



Cable Pulling Guide

Proper cable pulling protects the physical and electrical integrity of the entire structured cabling system, ensuring every run performs to its rated



Installation Of Cable In Cable Trays: NEC, Safety

Installation of Cable in Cable Trays ensures proper routing, cable management, NEC compliance, grounding, fire safety, and load capacity.

Installation of EHV Cables

This paper elaborates on the various methods of cable laying and the advantages and disadvantages of the same. The common way of cable laying: buried method, tunnel method, cable



Cable Laying: Everything You Must Know

From the scope of tray-laying, it can be divided into work area trays, distribution (horizontal mainline) trays, and backbone (vertical mainline) trays. The type of



Cable Pulling on Tray , Eng-Tips

For the riser we would remove the tray 90 degree bend until the cable was installed. The rollers should be held by a single chain or cable so that they may be free to "walk" as the cable is



Cables & Wires Handling Storage and Pulling Method

All wiring contained in conduit and trunking will be manually pulled by means of approved pulling material such as nylon cord and pull spring so that cable will not



Cable tray feeder pulling techniques , Information by Electrical

I have only pulled smaller runs of cable tray, nothing like this. I heard the plan calls for 500 or 600mcm alum x 20 conductors per tray, plus one equipment ground per. I think my boss had planned pulling 1





Instrumentation Cable trays Installation in vertical

The article describes a improvement for better life and easy maintenance for instrumentation cable trays for industry. The practices if applied

INSTALLATION SUGGESTIONS (PART III

Precautions During Cable Pulling Cable Guides All guides should be in the form of large diameter, smooth-surfaced, free-turning sheaves or rollers to prevent damage to the cable jacket when guiding

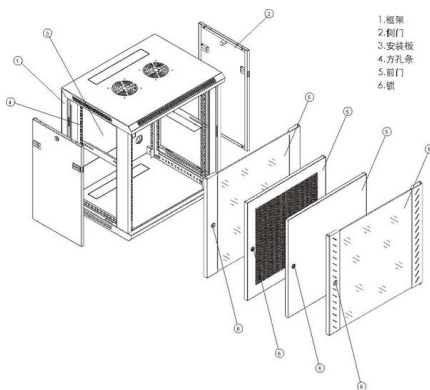
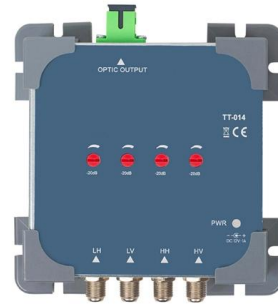


B-Line series Cable Tray Design Considerations

By incorporating Eaton's support recommendations with straight sections, cable tray fittings, vertical adjustable splice plates and heavy duty expansion splice plates, B-Line series cable ladder solutions

Best practice guide to cable ladder and cable tray

Cable ladder and cable tray systems The following recommendations are intended to be a practical guide to ensure the safe and proper installation of



Don't Get Pulled in the Wrong Direction , EC& M

Verify the application (plenum or nonplenum) and place the innerduct (s), depending on the specific location (vertical shaft, cable tray, or open ceiling)

Cable Tray Questions , Cable Tray Institute

That is, each cable tray rung would point in a vertical direction as opposed to the usual horizontal direction. The local electrical inspector has stated that he has no issues with this as long as the



Cable Tray Technical Guide A practical guide to product selection and

A practical guide to product selection and installation This guide for engineers and installers has been developed by ABB as a practical reference regarding cable tray characteristics, installation, and



Method Statement For Cable Pulling and Final Electrical

This procedure covers the method for all the cable pulling, electrical connections and terminations for cables running on cable ladders and cable trays. Electrical

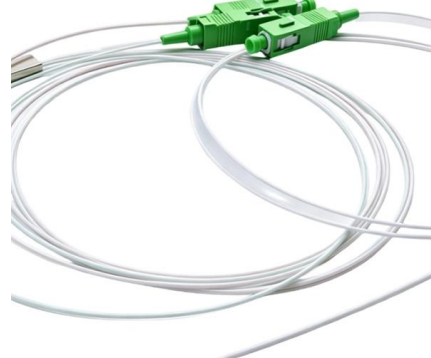


Cable laying method for large-depth vertical shaft

Abstract The application discloses a cable laying method for a large-depth shaft, belongs to the technical field of cable construction, and solves the problem that cables with large cross-sectional areas are

Cable tray feeder pulling techniques , Information by Electrical

The run is almost entirely above a finished freezer panel type ceiling (walkable, not for wire or equipment) and the approved route for 2 layers of 30" tray is roughly 350' of straight run, then a



Cable Tray in High-Rise Buildings: Vertical Cable

Rack cable management (RCM) is a rack where all cables are arranged together. There are several types of cable management solutions -- horizontal cable



Verticals Cable Tray Management Solutions , Cable

Hutaib Electricals, a trusted cable tray manufacturer in India, offers vertical cable management solutions for high-rise buildings. Their basket cable trays and wire



Contact Us

For datasheets, pricing, or custom telecom energy solutions, please visit:
<https://koskolong.co.za>