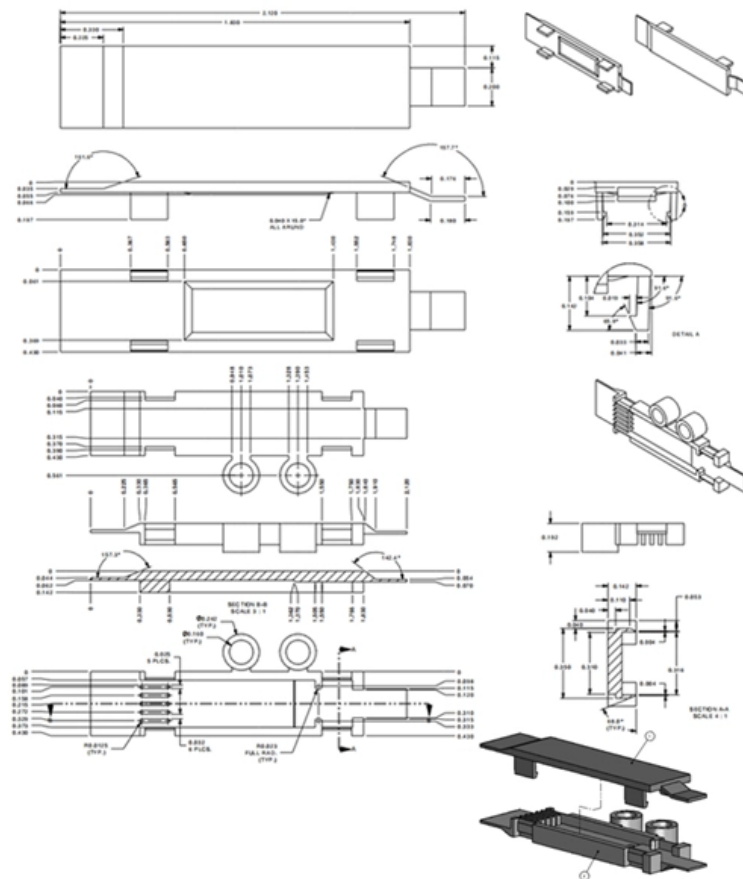




Methods of using cables in cable trays





Methods of using cables in cable trays



Cable Trays: The Essential Guide to Efficient Cable

Master cable tray installation and selection with this comprehensive guide. Discover types, benefits, and maintenance tips for efficient cable management in

Cable Tray Trunking & Ladder Installation Method for

Make cable tray, trunking and ladder connections using standard fittings. Cable tray and trunking will be installed with enough space to permit access for installing



How to Install Cable Tray: A Comprehensive Guide to Different Cable

Welcome to our step-by-step guide on installing cable trays! In this video, we'll explore the different types of cable trays available and provide detailed instructions for their installation.

Cable Tray Installation

Whether you're building a commercial setup or upgrading an industrial plant, proper cable tray installation ensures neat wiring, safe access, and



easy maintenance. But before you lay the first tray

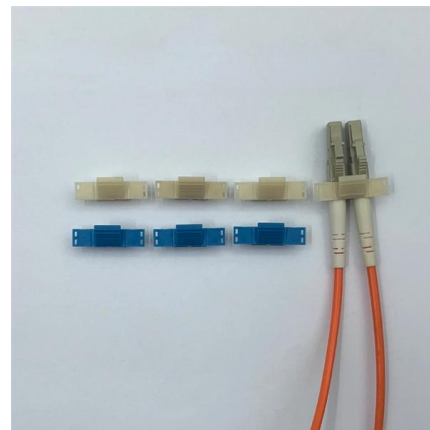


Installation Of Cable In Cable Trays: NEC, Safety

Installation of Cable in Cable Trays involves precise routing on support systems, NEC/IEC compliance, grounding, ampacity derating, bend radius control,

Cable Tray Systems: A Complete Guide to Types

Discover the essential guide to cable tray systems. Learn about ladder, trough, and wire mesh types, key components, and expert installation tips



Mastering Cable Tray Installation , Step-by-Step Guide for a Seamless

Mastering cable tray installation is crucial for creating a safe, organised, and efficient cable management system. By following this step-by-step guide, you can ensure a seamless setup that





Conduit vs Cable Trays: Choosing the Right Electrical Raceway

Discover the differences between cable tray vs conduit and determine which is better for your electrical installations. Learn about installation, maintenance, and cost-effectiveness.



Types of Cable Typically Used in Cable Tray

To that end this Bulletin is intended to discuss the types of cables most frequently used in cable trays and the wiring methods permitted in cable trays under the

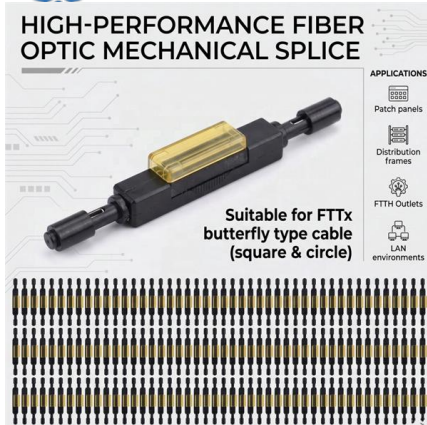
Cable Tray Technical Guide A practical guide to product selection and

The choice of method should be discussed with a local inspector. The best decision may be to extend only the cables, creating a discontinuity in the cable tray.



Cable Tray Technical Guide A practical guide to product selection and

SOLID-BOTTOM CABLE TRAY Providing additional cable protection, solid-bottom cable tray is sometimes preferred to support and protect numerous small instrumentation and control cables.



Prevent Fire and Electric Hazards When Cable Trays Used

Cable trays, the conductors, and cables they contain, and the wiring methods used must be listed or labeled by a Nationally Recognized Testing



Cable Trays

Benefits of Using Cable Tray Efficient Cable Management: Cable trays simplify the organization and routing of cables, reducing clutter and potential hazards. Cost

Cable Tray Installation

Learn everything about cable tray installation with our complete guide. Discover types, steps, and safety tips for efficient electrical cable management.





Cost-Effective Solutions: The Advantages of Cable Trays

This article examines the reasons behind the popularity of cable trays as a cost-effective method for organising wiring systems and discusses their benefit.

Cable Tray , Wire Mesh, Ladder Tray and More Wire Management

Cable tray systems are a critical component of modern infrastructure, providing a safe and organized method of routing electrical and data cables in commercial and industrial buildings.



Ampacity of Power Cables Installed in Cable Trays

The most common method of installing power cables in tunnels is mounting them on metal brackets or cable trays attached to the sides. Cable trays offer numerous



How to Manage Cables in Cable Trays: Principles and Methods

Learn how to manage cables in cable trays effectively with our comprehensive guide for cable classification, protection, and installation to ensure electrical system safety and efficiency.



Motor protection controller



Best Practice Guide to Cable Ladder and Cable Tray Systems

This guide covers cable ladder systems, cable tray systems, channel support systems and associated supports intended for the support and accommodation of cables and possibly other electrical

FactSheet

Cable trays feature flexibility unmatched by conduit, as cables are easier to mark, remove and find in cable trays. Cable trays are available in a number of different configurations, including ladder,



A Guide to Installing and Supporting Electrical Cable Trays

This guide covers the critical steps, from selecting the right electrical cable tray and performing accurate cable fill calculations to managing a safe cable pull through





Cable Tray Systems: Requirements and Best Practices

Cable tray systems provide a safe, organized, and flexible method for supporting insulated conductors and cables in commercial and industrial electrical installations.



Types of Cable Trays - Purpose, Advantages,

Cable tray is alternatives to wire ways and electrical conduits, which completely enclose cables. Study types of cable trays, purpose, advantages.

Cable Tray Ladder Trunking Wire Basket Installation

Resources For Electrical & Electronic Engineers
Cable Tray Ladder Trunking Wire Basket
Installation Guidelines What Are Cable Trays? An
assembly of



Contact Us

For datasheets, pricing, or custom telecom energy solutions, please visit:
<https://koskolong.co.za>