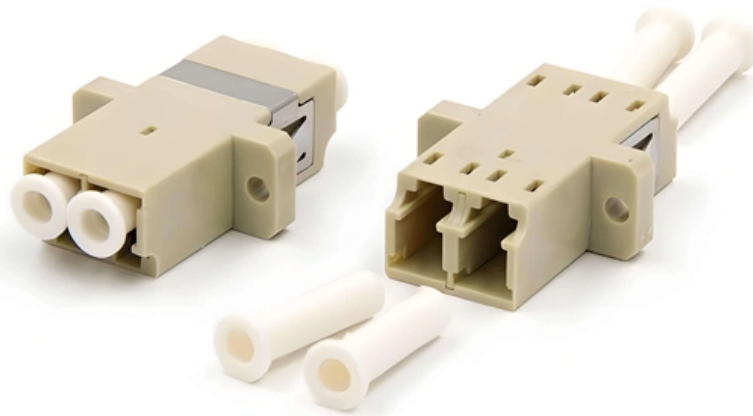




Adam Tas Corridor Energy

Metropolitan Area Network using a four-port information panel with IP67





Metropolitan Area Network using a four-port information panel with



ETS 300 211

This European Telecommunication Standard (ETS) describes the basic principles and network architecture for an European Metropolitan Area Network (MAN).

Metropolitan Area Network (MAN): Connecting Cities for

The Metropolitan Area Network (MAN) plays a pivotal role in fostering connectivity, collaboration, and innovation within urban centers and densely



(PDF) Metropolitan Area Networks

SONET/SDH and DWDM dual ring MAN networks are presented and analyzed along with the emerging Metro Ethernet MANs that make use of Gigabit

Metropolitan Area Network Model Design Algorithm

Therefore, we proposed a novel MAN model design algorithm that incorporates railroad route



information and daily movement data to enhance B5G



Metropolitan Area Network

Wireless metropolitan area networks (WMANs) are used to establish wireless connections between multiple locations within a metropolitan area, such as between multiple office buildings in a city or on



PDS-204GCO Data Sheet

PDS-204GCO is a next-generation outdoor Power over Ethernet (PoE) switch for smart cities. It allows Wi-Fi® access points, security network cameras and many other IoT devices to receive power and



Metropolitan area network

A metropolitan area network (MAN) is a computer network that interconnects users with computer resources in a geographic region of the size of a metropolitan area.



(PDF) OPTIMIZING CONNECTIVITY: THE ROLE OF METROPOLITAN AREA NETWORKS

Abstract Metropolitan Area Networks (MANs) are crucial components of modern infrastructure, providing high-speed connectivity across urban regions.



5 Examples of Metropolitan Area Network

5 Examples of Metropolitan Area Networks Here are five examples of metropolitan area networks; 1. Campus Network Campus Network is one of the

PROFINET Design Guideline

PNO shall not be responsible for identifying patents for which a license may be required by any PNO specification, or for conducting legal inquiries into the legal validity or scope of those patents that are



How to Set up a 100G Metropolitan Area Network?

Is your metropolitan area network (MAN) struggling to handle growing data traffic? With 100G technology, MANs are shifting from 10G/40G to 100G



Understanding Metropolitan Area Network (MAN)

Metropolitan Area Networks (MAN): Architecture, Applications, and the Role in Modern Enterprise Networking In the interconnected era of smart



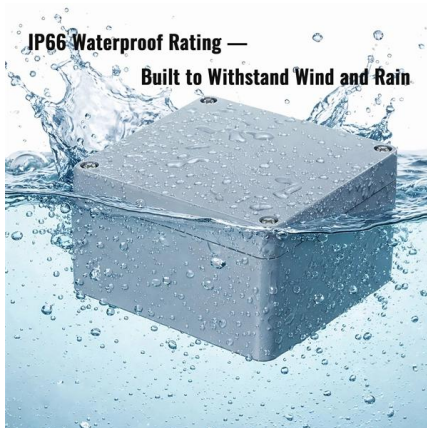
Metropolitan Area Network

Metropolitan Area Network While most people refer to a network in terms of being either a LAN or a WAN, an additional category that exists is called a metropolitan area network (MAN). A MAN will

Understanding Metropolitan Area Networks (MAN):

Metropolitan Area Networks (MANs) are vital for enhancing connectivity in urban areas and large institutions. This comprehensive guide



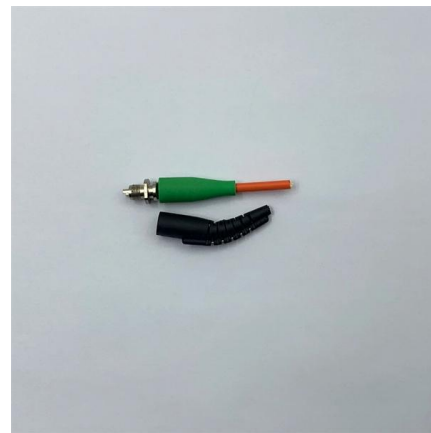


Metropolitan area network

The term MAN is applied to the interconnection of networks in a city into a single larger network which may then also offer efficient connection to a wide area network. It is also used to mean the

How to Set up a 100G Metropolitan Area Network?

Seeking guidance for deploying a 100G metropolitan area network, including its architecture and components? This article provides practical insights and detailed



Unlocking Connectivity: How Metropolitan Area Networks Transform

Discover how Metropolitan Area Networks revolutionize urban living by enhancing connectivity, boosting efficiency, and supporting smart city innovations. Explore the transformation!



Metropolitan-area networks , IEEE Journals & Magazine , IEEE Xplore

Metropolitan-area networks (MAN), which fill the gap between local area networks (LANs) and wide-area networks (WANs), are discussed. MANs were originally oriented toward data,



Defining MAN: Metropolitan Area Network

Delve into Metropolitan Area Networks (MANs): Learn their basics, how they operate, and where they're utilized.

(PDF) Metropolitan Area Networks

3 INTRODUCTION Metropolitan Area Networks (MANs) were developed to meet the need for a very high speed networking capability that



What is a metropolitan area network?

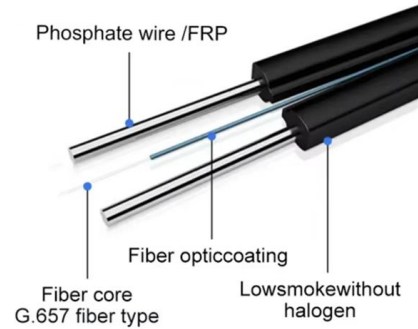
It may also refer to public use networking infrastructure in a municipality or region. Metropolitan area networks for organizations A metropolitan area network traditionally refers to a





Metropolitan Area Network

Metropolitan Area Network(MAN)is a computer networks usually spanning a campus or a city, which typically connect a few local area networks using high speed backbone technologies.



Metropolitan Networks , Springer Nature Link

After a detailed overview of how metro networks plug into the larger service provider scheme of things, we delve into individual technologies that are intrinsic to metro network architecture.

Metropolitan Area Network (MAN), Characteristics, Uses

MANs often incorporate advanced security measures to protect sensitive data transmitted across the network. These may include firewalls,



An Optimized New Metropolitan Area Network Architecture Design

Metropolitan Area Network generally is the network that provides various information services within a city. The traditional metropolitan area networks BRAS is faced with such problems as high cost of



Metropolitan Area Network Topologies: Ring, Star, Bus,

However, how we connect these networks changes how the system works. These connection styles are called topologies. From Ring and star to bus and mesh,



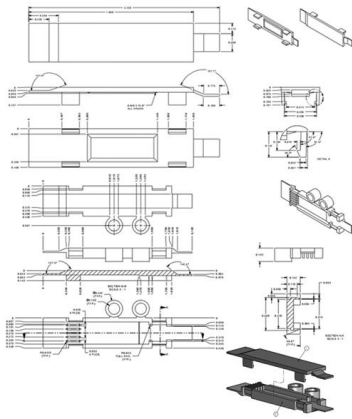
Metro Ethernet Networks

What is a Metro Ethernet Network (MEN)? A Metro Ethernet Network is the generally defined as the network that bridges or connects geographically separated enterprise LANs while also connecting

Metropolitan Area Network

Metropolitan Area Networks A metropolitan area network (MAN) is a network that covers a smaller geographical area such as a city or a large college campus system. Good examples of MANs are the





Understanding Metro Area Networks: A Clear and Practical Guide

Connectivity and coverage are crucial aspects of a Metro Area Network (MAN), enabling it to link various local networks across a metropolitan region. The primary goal of a MAN is to provide

Contact Us

For datasheets, pricing, or custom telecom energy solutions, please visit:
<https://koskolong.co.za>